



Operation and Maintenance Instructions Geared Head Bench Lathe

Models GHB-1340A, GHB-1440A



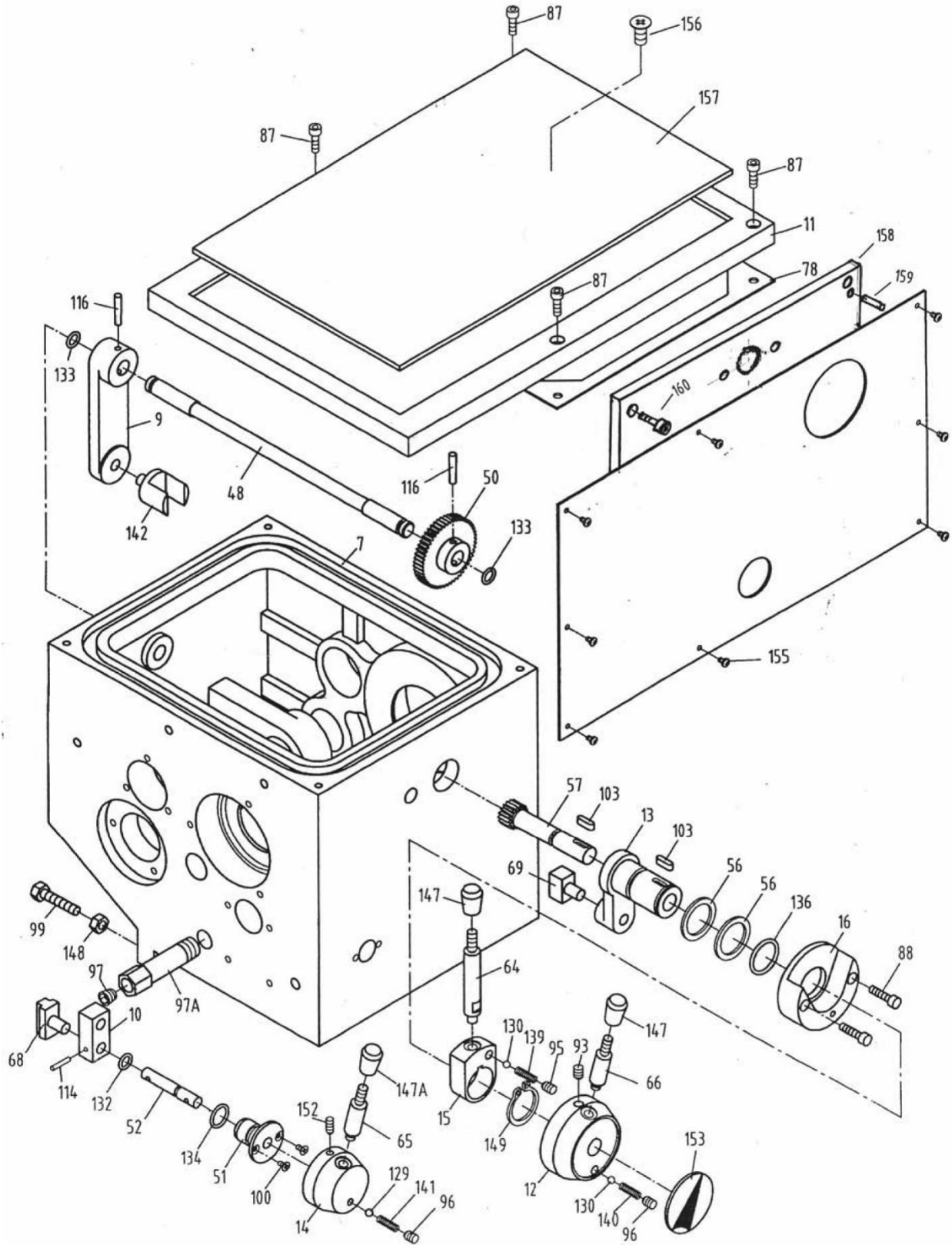
(GHB-1340A shown with optional stand 321443AK)

For Parts List and Electrical Diagrams, see document M-321357A

JET
427 New Sanford Road
LaVergne, Tennessee 37086
Ph.: 800-274-6848
www.jettools.com

Part No. M-321357A-1
Revision G1 11/2014
Copyright © 2014 JET

4.1 GHB-1340A/1440A Headstock Assembly I – Exploded View

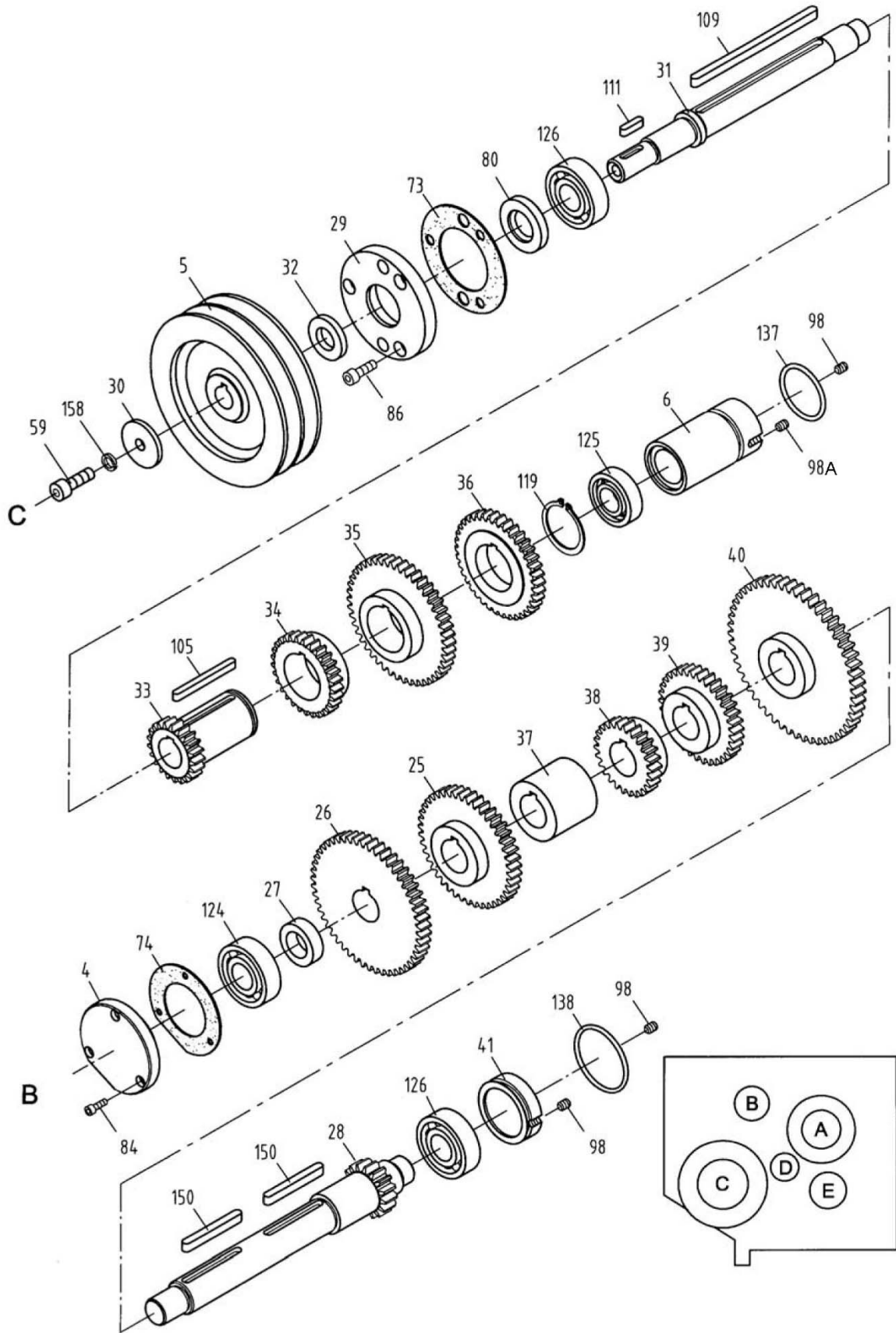


4.2 GHB-1340A/1440A Headstock Assembly I – Parts List

Index No	Part No	Description	Size	Qty
7	GHB1340A-02101	Gear Box Main Casting (GHB-1340A only)		1
	GHB1440A-02101	Gear Box Main Casting (GHB-1440A only)		1
9	04109	Shift Lever		1
10	04111	Shaft Housing		1
11	GHB1340A-02102	Cover (GHB-1340A only)		1
	GHB1440A-02102	Cover (GHB-1440A only)		1
12	GHB1340A-04117	Handle Hub		1
13	04121	Shaft Collar (GHB-1340A only)		1
	GHB1440A-02112	Shaft Collar (GHB-1440A only)		1
14	GHB1340A-04120	Handle Hub		1
15	GHB1340A-04119	Handle Block		1
16	GHB1340A-04118	Hub		1
48	04232	Shaft		1
50	04234	Gear	1.25m51T	1
51	04235	Collar (GHB-1340A only)		1
	GHB1440A-02709	Collar (GHB-1440A only)		1
52	04250	Shaft (GHB-1340A only)		1
	GHB1440A-02708	Shaft (GHB-1440A only)		1
56	04240	Washer		2
57	04241	Gear Shaft (GHB-1340A only)	1.25m17T	1
	GHB1440A-02716	Gear Shaft (GHB-1440A only)	1.25m17T	1
64	GHB1340A-04248	Handle		1
65	GHB1340A-04248-1	Handle		1
66	GHB1340A-04249	Handle		1
68	04402	Shift Fork		1
69	04403	Shift Fork		1
78	GHB1340-4506	Gasket (GHB-1340A only)		1
	GHB1440A-02507	Gasket (GHB-1440A only)		1
87	TS-1503051	Hex Socket Cap Screw	M6 x 20	4
88	TS-1503061	Hex Socket Cap Screw	M6 x 25	2
93	TS-1523061	Set Screw	M6 x 18	1
95	TS-1524011	Set Screw	M8 x 8	1
96	TS-1523041	Set Screw	M6 x 12	2
97	GHB1340A-97	Plug	Z1/4	1
97A	GHB1340A-97A	Oil Drain Plug		1
99	TS-1490071	Hex Cap Screw	M8 x 40	2
100	GHB1340-100	Screw	M4 x 8	4
103	GHB1340-103	Key	5 x 15	2
114	GHB1340-114	Pin	4 x 18	1
116	GHB1340-116	Pin	5 x 30	2
129	SB-5MM	Steel Ball	5	1
130	SB-6MM	Steel Ball	6	2
132	GHB1340-132	O-Ring	10 x 1.9	1
133	GHB1340-133	O-Ring	14 x 2.4	2
134	GHB1340-134	O-Ring	20 x 2.4	2
136	GHB1340-136	O-Ring	30 x 3.1	1
139	GHB1340-139	Spring	1 x 6 x 7	1
140	GHB1340-140	Spring	1 x 6 x 20	1
141	GHB1340-141	Spring	0.9 x 4.4 x 20	1
142	04235A	Shift Fork		1
147	GHB1340-147	Knob	M8 x 40	2
147A	GHB1340-147A	Knob		1
148	TS-1540061	Nut	M8	2
149	GHB1340-120	C-Clip	30	1
152	TS-1523041	Set Screw	M6 x 12	1
153	GHB1340A-153	Round Sign Plate		1
154	GHB1340A-02301	Label (GHB-1340A only)		1
	GHB1440A-02301	Label (GHB-1440A only)		1
155	GHB1340A-155	Screw	M3 x 5	8
156	GHB1340A-156	Screw	M10 x 18	1

Index No	Part No	Description	Size	Qty
157	GHB1340A-02502	Rubber Mat (GHB-1340A only)		1
	GHB1440A-02503	Rubber Mat (GHB-1440A only)		1
158	GHB1440A-02102	Headstock Side Board (GHB-1440A only)		1
159	GB117	Pin	5 x 20	2
160	TS-1503041	Hex Socket Cap Screw	M6 x 16	4
	GHB1340A-160	Oil Sight Glass (not shown) (GHB-1340A serial #10052363A and lower)		1
	GHB1340A-160M	Oil Sight Glass (not shown) (GHB-1340A serial #10102364A and higher)	M27x1.5	1

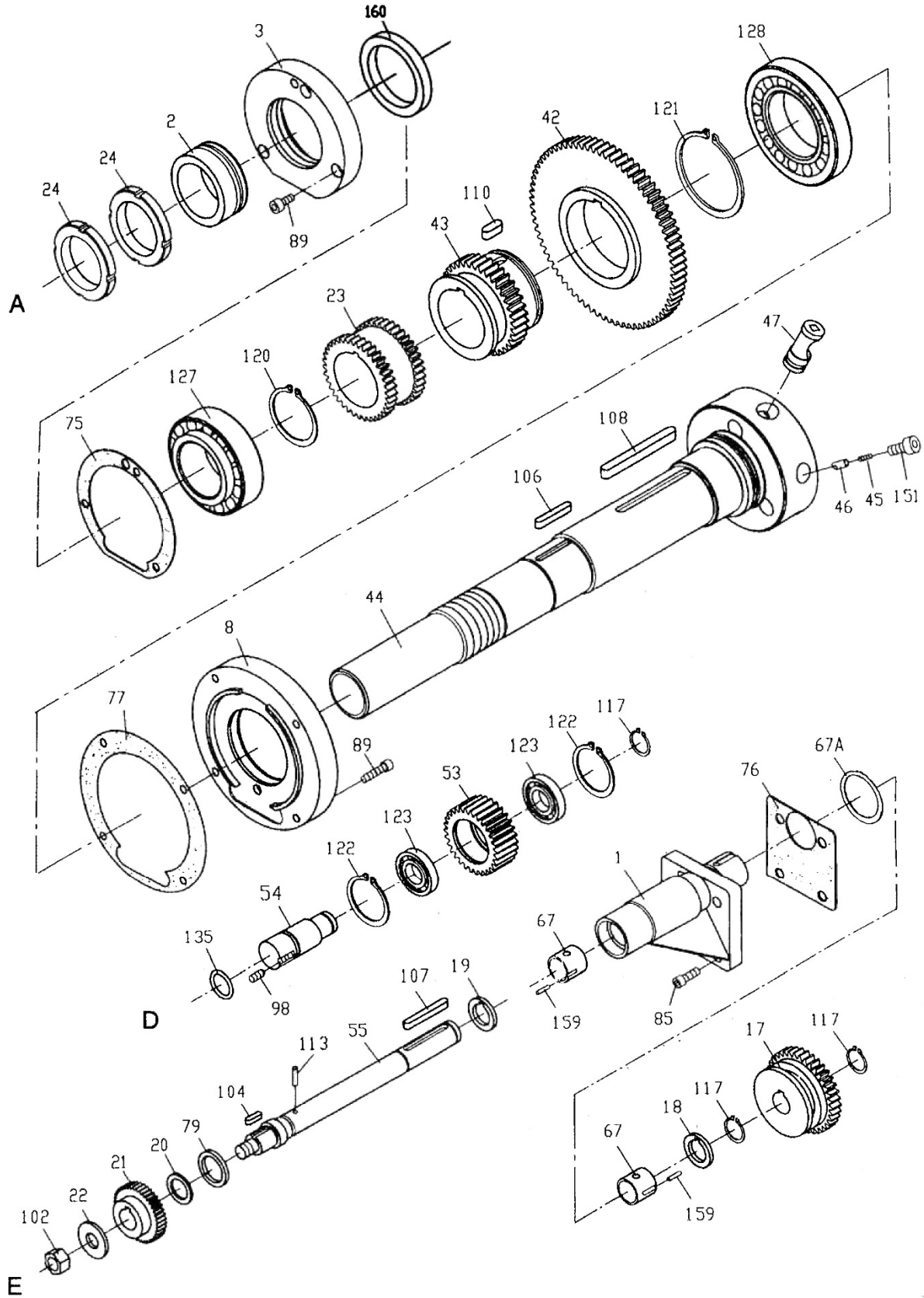
5.1 GHB-1340A/1440A Headstock Assembly II – Exploded View



5.2 GHB-1340A/1440A Headstock Assembly II – Parts List

Index No	Part No	Description	Size	Qty
4	04104Z	Rear Cover		1
5	04105	Pulley		1
6	GHB1340-4106	Plug		1
25	04209	Gear	2m43T	1
26	GHB1340-4210	Gear	2m51T	1
27	04211	Spacer		1
28	04212	Gear Shaft	2.25m16T	1
29	04213	Cover (s/n 0207ZN3348 and lower)		1
	04213A	Cover (s/n 0207ZN3349 and higher)		1
30	04214	Washer		1
31	04215	Shaft		1
32	04216	Washer		1
33	04217	Collar w/Gear	2m21T	1
34	04218	Gear	2m29T	1
35	04219	Gear	2m46T	1
36	04220	Gear	2m38T	1
37	04221	Collar		1
38	04222	Gear	2m26T	1
39	04223	Gear	2m34T	1
40	04224	Gear	2.25m53T	1
41	04225	Plug		1
59	TS-1504041	Socket Head Cap Screw	M8 x 20	1
73	GHB1340-4501	Gasket		1
74	GHB1340-4502	Gasket		1
80	GHB1340-4508	Oil Seal	20 x 40	1
84	TS-1501041	Hex Socket Cap Screw	M4 x 12	3
86	TS-1503031	Hex Socket Cap Screw	M6 x 12	3
98	TS-1523031	Set Screw	M6 x 8	4
105	GHB1340-105	Key	5 x 50	1
109	GHB1340-109	Key	6 x 120	1
111	GHB1340-111	Key	5 x 20	1
119	GHB1340-119N	C-Clip	35	1
124	GHB1340-124	Bearing	20 x 47 x 14	1
125	GHB1340-125	Bearing	17 x 40 x 12	1
126	GHB1340-126	Bearing	20 x 47 x 14	2
137	GHB1340-137	O-Ring	40 x 3.1	1
138	GHB1340-138	O-Ring	47 x 3.1	1
150	GHB1340A-150	Key	6 x 55	2
158	TS-1551061	Lock Washer	M8	1
	VB-A31	V-Belt (not shown)	A31	2
98A	GH-1440K02752	Screw		2

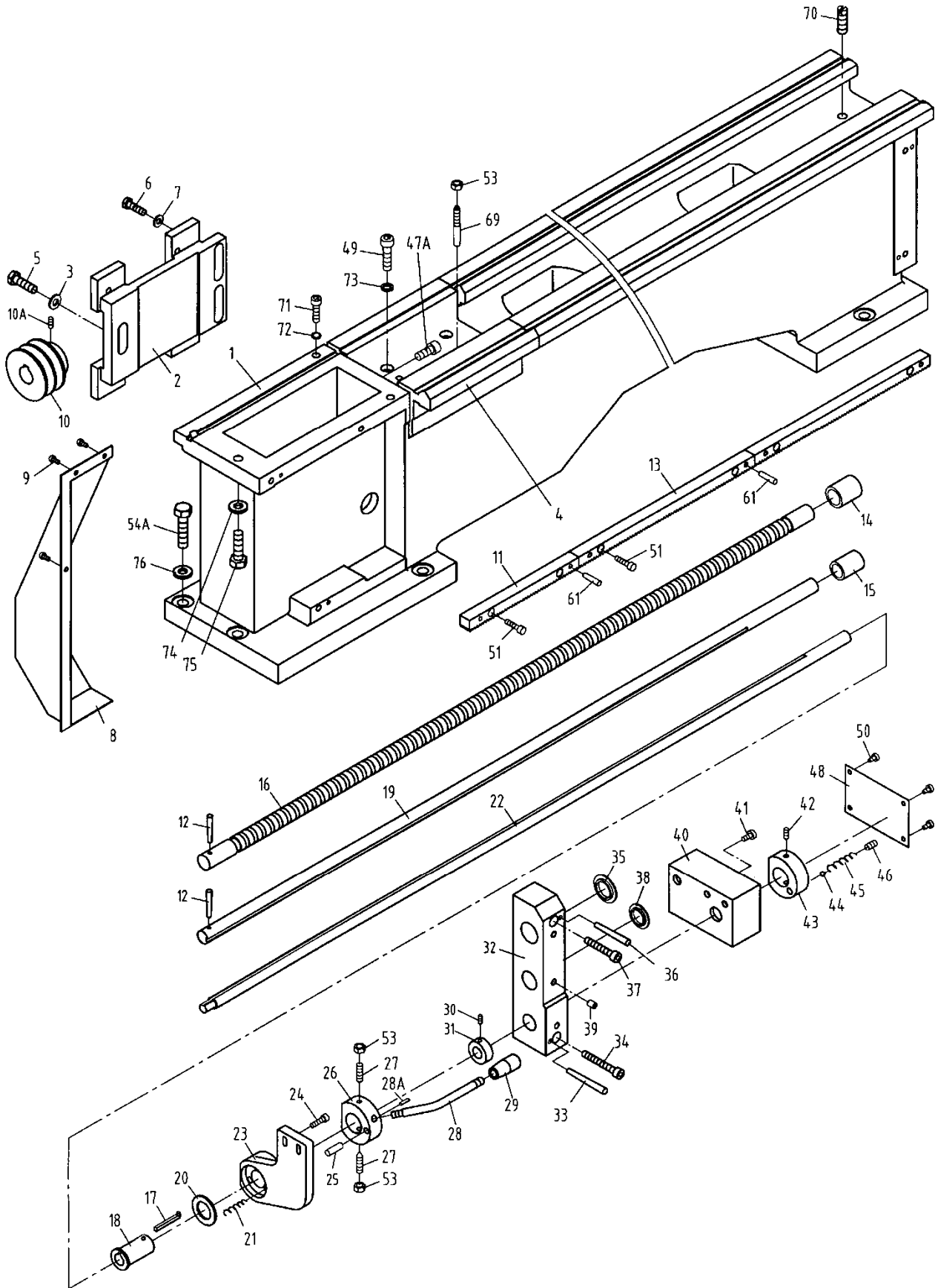
6.1 GHB-1340A/1440A Headstock Assembly III – Exploded View



6.2 GHB-1340A/1440A Headstock Assembly III – Parts List

Index No	Part No	Description	Size	Qty
1	GHB1340A-02103	Collar	1-1/4" I.D. C'bore	1
	GHB1340A-02103N	Collar	1-3/8" I.D. C'bore	1
2	04102	Collar (serial #07061677A and lower)		1
	C0632A-02117A	Collar (serial #07061678A and higher)		1
3	GHB1340-4103N	Rear Cover (serial #07061677A and lower)		1
	C0632A-02115A	Rear Cover (serial #07061678A and higher)		1
8	04108Z	Front Cover		1
17	04201	Gear	2m37T	1
18	04202Z	Washer		1
19	04203Z	Washer		1
20	04204	Washer		1
21	04205A	Gear	1.25m32T	1
22	04206	Washer	12	1
23	04207A	Gear	2m37T	1
24	04208	Lock Nut		2
42	04226	Gear	2.25m74T	1
43	04227	Gear	2.25m37T	1
44	GHB1340A-02702	Spindle		1
45	04229	Spring	0.6 x 4 x 16	3
46	04230	Pin		3
47	04231	Cam		3
53	04237	Gear	2m30T	1
54	04238	Shaft		1
55	GHB1340A-02701	Shaft		1
67	04401	Collar		2
67A	GHB1340-67A	O-ring	32 x 3.1	1
75	GHB1340-4503	Gasket		1
76	GHB1340A-02501	Gasket		1
77	GHB1340-4505	Gasket		1
79	GHB1340-4507	Oil Seal	B-22x35x7	1
85	TS-1502041	Hex Socket Cap Screw	M5 x 16	4
89	TS-1503061	Hex Socket Cap Screw	M6 x 25	7
98	TS-1523031	Set Screw	M6 x 8	1
102	TS-1540081	Hex Nut	M12	1
104	GHB1340-104	Key	5 x 18	1
106	GHB1340-106	Key	6 x 40	1
107	GHB1340-107	Key	6 x 50	1
108	GHB1340-108	Key	8 x 85	1
110	GHB1340-110	Key	8 x 18	1
113	GHB1340-113	Pin	3 x 10	1
117	GHB1340-117N	C-Clip	20	2
120	GHB1340-120	C-Clip	50	1
121	GHB1340-121	C-Clip	72	1
122	GHB1340-122	C-Clip	42	2
123	GHB1340-123	Bearing	20 x 42 x 8	2
127	GHB1340-127	Bearing	50 x 90 x 20	1
128	GHB1340-128	Bearing	60 x 110 x 22	1
135	GHB1340-135	O-Ring	25 x 2.4	1
151	GHB1340A-151	Hex Socket Cap Screw	M8 x 18	3
159	GHB1340A-159	Pin	2 x 16	2
160	GB13871	Oil Seal (serial #07061678A and higher)	B-60x80x8	1

7.1 Bed Assembly I – Exploded View

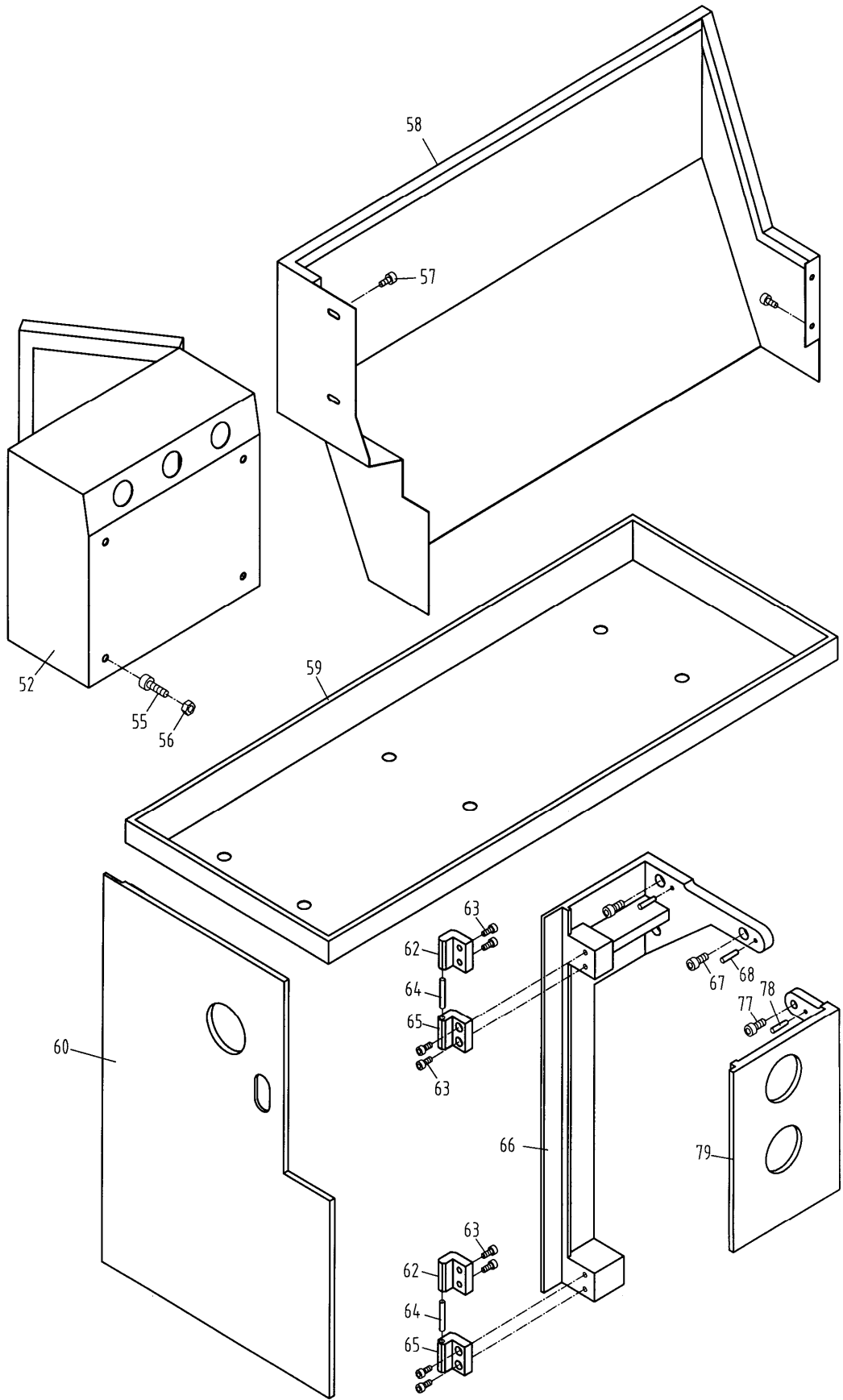


7.2 Bed Assembly I – Parts List

Index No	Part No	Description	Size	Qty
1	GHB1340A-01101	Bed		1
2	GHB1340A-1110	Motor Base		1
3	TS-1550071	Washer	M10	3
4	GHB1340-1102	Gap Bridge		1
5	TS-149105	Hex Cap Bolt	M10 x 35	3
6	TS-1490041	Hex Cap Bolt	M8 x 25	4
7	TS-1550061	Washer		4
8	GHB1340A-02703	End Cover (GHB-1340A only)		1
	GHB1440A-02703	End Cover (GHB-1440A only)		1
9	GHB1340A-9B	Screw	M5 x 8	3
10	GHB1340-01112	Pulley		1
10A	TS-1523041	Set Screw	M6 x 12	1
11	01203	Rack		1
12	GHB1340A-12B	Pin	5 x 35	2
13	01204-2	Rack		2
14	32A1105	Collar		1
15	32A1106	Collar		1
16	GHB1340A-1701	Lead Screw	GHB-1340A	1
	BDB1340A-1701	Lead Screw	BDB-1340A	1
17	321728	Key		1
18	321706	Collar		1
19	GHB1340A-1702	Feed Rod	GHB-1340A	1
	BDB1340A-1702	Feed Rod	BDB-1340A	1
20	01707	Brake Ring		1
21	GHB1340A-21B	Spring	1 x 7.5 x 25	3
22	GHB1340A-1703	Shaft	GHB-1340A	1
	BDB1340A-1703	Shaft	BDB-1340A	1
23	32A1103A	Bracket		1
24	TS-1503061	Hex Socket Cap Screw	M6 x 22	4
25	GHB1340A-25B	Pin	6 x 25	1
26	32A1710	Handle Hub		1
27	TS-1524061	Screw	M8 x 28	2
28	01710A	Handle		1
28A	GHB1340A-77	Pin	3 x 10	1
29	GHB1340A-29B	Knob	BM10 x 50	1
30	TS-1522031	Set Screw	M5 x 8	1
31	01708	Collar		1
32	32A1104A	Bracket		1
33	GHB1340A-33B	Pin	6 x 70	1
34	TS-1504131	Hex Socket Cap Screw	M8 x 65	1
35	32A1502	Plug		1
36	GHB1340A-36B	Pin	6 x 65	2
37	TS-1504121	Hex Socket Cap Screw	M8 x 60	2
38	32A1502	Plug		1
39	GHB1340A-39B	Oil Ball	8	3
40	32A1301	Switch Box		1
41	TS-1504041	Hex Socket Cap Screw	M8 x 20	4
42	TS-1523051	Screw	M6 x 16	1
43	32A1705	Bushing		1
44	SB-6MM	Steel Ball	6	1
45	GHB1340A-45B	Spring	1X5X22	1
46	TS-1524041	Screw	M8 x 16	1
47A	TS-1525021	Set Screw	M10 x 12	1
48	32A1504	Switch Box Cover		1
49	TS-1505051	Hex Socket Cap Screw	M10 x 35	4
50	TS-1502021	Socket Head Cap Screw	M5 x 10	4
51	TS-1503061	Hex Socket Cap Screw	M6 x 25	8
53	TS-1540061	Hex Nut	M8	4
54A	TS-1492061	Hex Cap Bolt	M12 x 60	6
61	GHB1340-61B	Pin	6 x 30	6

Index No	Part No	Description	Size	Qty
69	GHB1340-69B	Pin	8 x 60	2
70	GHB1340A-74B	Set Screw	M12 x 40	1
71	TS-1504071	Hex Socket Cap Screw	M8 x 35 (BDB)	2
	TS-1504081	Hex Socket Cap Screw	M8 x 40 (GHB)	2
72	TS-1551061	Lock Washer	M8	4
73	TS-1551071	Lock Washer	M10	4
74	TS-1550061	Washer	M8 (BDB)	2
	TS-1550061	Washer	M8 (GHB)	4
75	TS-1504091	Hex Socket Cap Screw	M8 x 45	2
76	TS-2360121	Washer	12	6

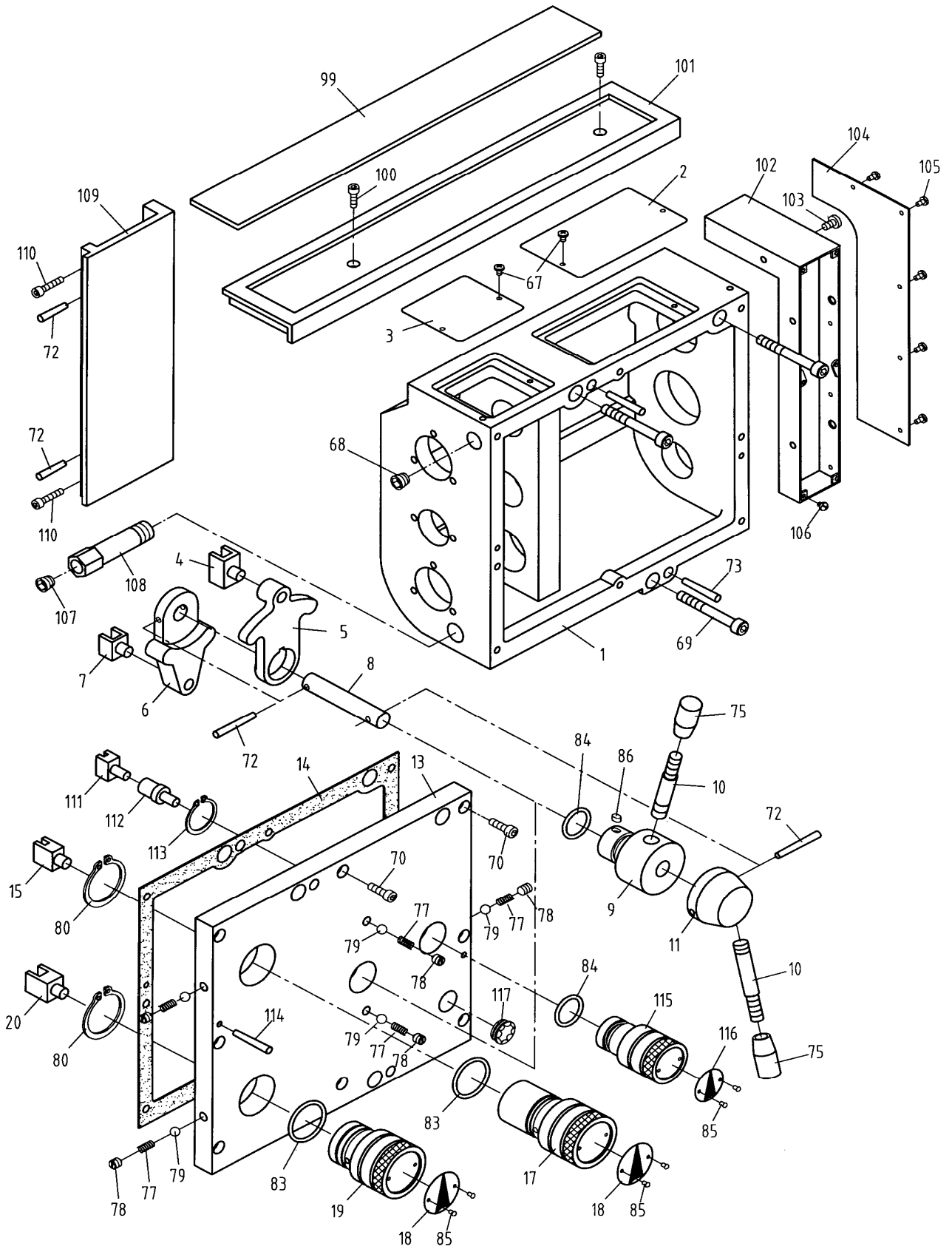
8.1 Bed Assembly II – Exploded View



8.2 Bed Assembly II – Parts List

Index No	Part No	Description	Size	Qty
52	GHB1340A-18701	Electrical Box	GHB-1340A	1
52A	BDB1340A-18701	Electrical Box	BDB-1340A	1
55	GHB1340A-55B	Screw	M6 x 20	4
56	GHB1340A-56B	Nut	M6	4
57	GHB1340A-57B	Screw	M6 x 10	4
58	GHB1340A-12701	Splash Guard (serial #11072601A and lower)	GHB-1340A	1
	GHB1340A-12701A	Splash Guard (serial #11082602A and higher)	GHB-1340A	1
	GHB1440A-12701	Splash Guard	GHB-1440A	1
	BDB1340A-12701B	Splash Guard	BDB-1340A	1
59	GHB1340A-01701	Oil Plate (serial #12042866A and lower)	GHB-1340A	1
	GHB1340A-01701BJ	Oil Plate (serial #12092867A and higher)	GHB-1340A	1
	C0632-01727	Oil Plate	GHB-1440A	1
	BDB1340A-01701B	Oil Plate (serial #1204B1274A and lower)	BDB-1340A	1
	BDB1340A-01701BJ	Oil Plate (serial #1205B1275A and higher)	BDB-1340A	1
60	GHB1340A-02302	Back Cover	GHB/BDB-1340A	1
	C0636A-01501	Back Cover	GHB-1440A	1
62	ZX-8712	Upper Hinge		2
63	TS-1503041	Hex Socket Cap Screw	M6 x 14	8
64	GHB1340A-64B	Pin	10m6 x 40	2
65	ZX-8711	Lower Hinge		2
66	GHB1340A-02105	Rear Side Plate	GHB/BDB-1340A	1
	GHB1440A-02105	Rear Side Plate	GHB-1440A	1
67	TS-1504031	Hex Socket Cap Screw	M8 x 14	3
68	GHB1340A-68B	Pin	6 x 25	2
77	TS-1502041	Hex Socket Cap Screw	M5 x 14	2
78	GHB1340A-78B	Pin	5 x 25	2
79	GHB1340A-02104	Front Side Plate	GHB/BDB-1340A	1
	GHB1440A-02104	Front Side Plate	GHB-1440A	1

9.1 Gear Assembly I – Exploded View



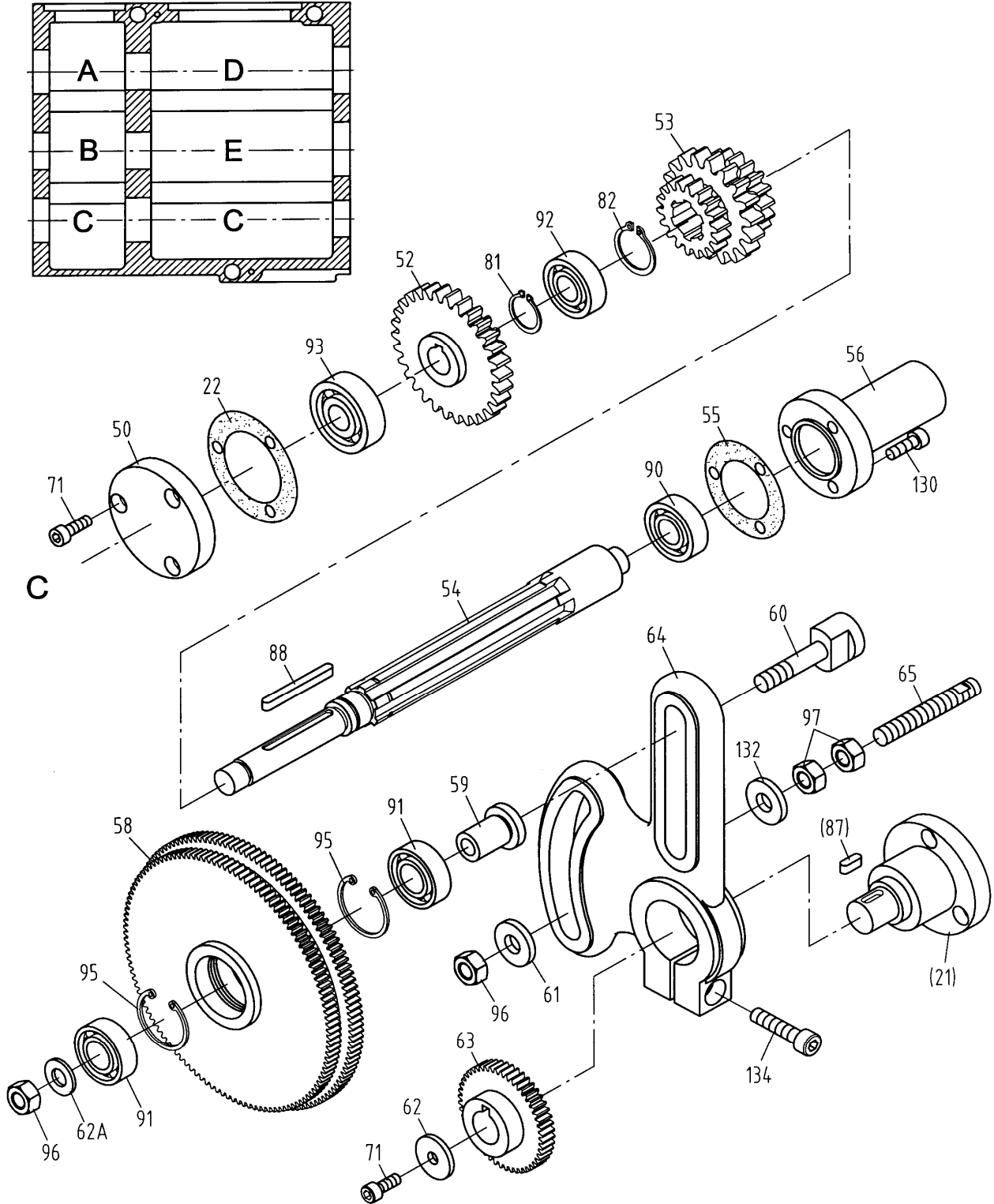
9.2 Gear Assembly I – Parts List

Index No	Part No	Description	Size	Qty
1	05101A	Casting		1
2	05715	Right cover		1
3	05720	Left cover		1
4	32A5308	Slipper		1
5	32A5111A	Lever		1
6	32A5108A	Lever		1
7	32A5307	Slipper		1
8	32A5702	Shaft		1
9	32A5109	Handle Base		1
10	32A5701	Lever		2
11	32A5110	Handle Base		1
13	GHB1340A-05106	Cover		1
14	05504	Gasket		1
15	32A5305	Slipper		1
17	32A5106	Lever		1
18	32A5302	Plate		2
19	32A5103	Handle		1
20	32A5306	Slipper		1
67	GHB1340A-G67	Screw	M4 x 6	6
68	GHB1340A-G68	Tapered Tap	ZG3/8"	2
69	GHB1340A-G69	Socket Head Cap Screw	M8 x 65	3
70	TS-1503061	Socket Head Cap Screw	M6 x 25	8
72	GHB1340A-G72	Pin	5 x 30	4
73	GHB1340A-G73	Pin	5 x 40	2
75	GHB1340A-G75	Knob	BM10 x 50	2
77	GHB1340A-G77	Spring	0.8 x 5 x 25	5
78	TS-1524021	Socket Set Screw	M8 x 10	5
79	SB-6.5MM	Steel Ball	6.5	5
80	GHB1340A-G80	C-clip	40	2
83	GHB1340A-G83	O-Ring	40 x 3.1	2
84	GHB1340A-G84	O-Ring	30 x 3.1	2
85	GHB1340A-G85	Screw	M3 x 6	6
86	GHB1340A-G86	Key	5 x 8	1
99	GHB1340A-05503	Rubber Mat (GHB-1340A only)		1
	GHB1440A-05503	Rubber Mat (GHB-1440A only)		1
	BDB1340A-05503	Rubber Mat (BDB-1340A only)		1
100	TS-1502041	Socket Set Screw	M5 x 16	2
101	GHB1340A-05105	Top Cover (GHB-1340A only)		1
	GHB1440A-05105	Top Cover (GHB-1440A only)		1
	BDB1340A-05105	Top Cover (BDB-1340A only)		1
102	05723	Cover		1
103	GHB1340A-G103	Screw	M4 x 8	3
104	05722	Plate		1
105	GHB1340A-G105	Screw	M3 x 5	5
106	GHB1340A-G106	Screw	M3 x 6	6
107	GHB1340A-G107	Tapered Tap	Z1/4"	1
108	05724	Oil Drain Pipe		1
109	05108	Extending Plate		1
110	TS-1502061	Socket Head Cap Screw	M5 x 25	2
111	05305	Slipper		1
112	05721	Slipper Shaft		1
113	GHB1340A-G113	C-clip	30	1
114	GHB1340A-G114	Pin	5 x 30	2
115	05107	Lever		1
116	05304	Sign Disc		1
117	GHB1340A-G117	Oil Sight Glass (GHB-1340A, serial #10052363A and lower)	12mm	1
	GHB1340A-G117	Oil Sight Glass (BDB-1340A, serial #1008B1083A and lower)	12mm	1
	GHB1340A-160M	Oil Sight Glass (GHB-1340A, serial #10102364A and higher)	M27x1.5	1
	GHB1340A-160M	Oil Sight Glass (BDB-1340A, serial #1010B1084A and higher)	M27x1.5	1
	GHB1340A-05306	Sign Plate (not shown)		1
	BDB1340A-05301	Sign Plate (not shown)		1

10.2 Gear Assembly II – Parts List

Index No	Part No	Description	Size	Qty
21	32A5113	Cover		1
22	32A5503	Gasket		1
23	32A5712	Shaft		1
24	32A5710A	Gear	2.5m30T, 20T	1
25	32A5719	Washer		2
27	05718	Gear	2.25m, 3.25m, 2.5m24T	1
29	05502	Gasket		1
30	05104	Bushing		1
31	05714	Washer		1
32	05716	Shaft		1
33	32A5114	End cover		1
34	32A5504	Gasket		1
35	32A5716	Shaft		1
36	32A5714A	Gear	2.5m30T	1
37	32A5715A	Gear	2.5m20T	1
38	32A5713A	Gear	2.5m40T	1
39	32A5708	Washer		2
41	05719	Washer		2
42	05702	Gear	2.25m40T	1
43	05703	Gear	3.25m24T	1
44	05704	Gear	3.25m22T	1
45	05705	Gear	3.25m21T	1
46	05706	Gear	2.5m36T	1
47	05501	Gasket		1
48	05103	Flange		1
49	05717	Shaft		1
71	TS-1504031	Socket Head Cap Screw	M6 x 16	5
81	GHB1340A-G81	C-clip	20	1
82	GHB1340A-G82	C-clip	25	1
87	GHB1340A-G87	Key	5 x 14	1
88	GHB1340A-G88	Key	5 x 50	1
89	GHB1340A-G89	Key	8 x 110	1
90	BB-6202	Bearing	6202	5
92	BB-6004	Bearing	6004	1
94	BB-51105	Thrust Bearing	51105	2
98	GHB1340A-G98	Key	5 x 55	1
118	GHB1340A-G118	Round Nut	M24 x 1.5	2
119	05713	Connecting Sleeve	GHB1340A	1
	BDB1340A-05713	Connecting Sleeve		1
120	GHB1340A-G120	Pin	5 x 35	4
121	05707	Washer		1
122	05708	Gear	2m30T	1
123	05709	Inner Gear	2m30T	1
124	05711	Washer		1
125	05302	Oil Light Bushing		1
126	05710	XIB Shaft		1
127	GHB1340A-G127	Pin	5n6 x 14	2
128	GHB1340A-G128	Screw	M5 x 10	2
129	05301	Sliding Bearing		1
130	TS-1503031	Socket Head Cap Screw	M6 x 12	6
131	GHB1340A-05712	Connecting Sleeve	GHB-1340A	1
	BDB1340A-05712	Connecting Sleeve	BDB-1340A	1
133	05303	Bearing Housing		1

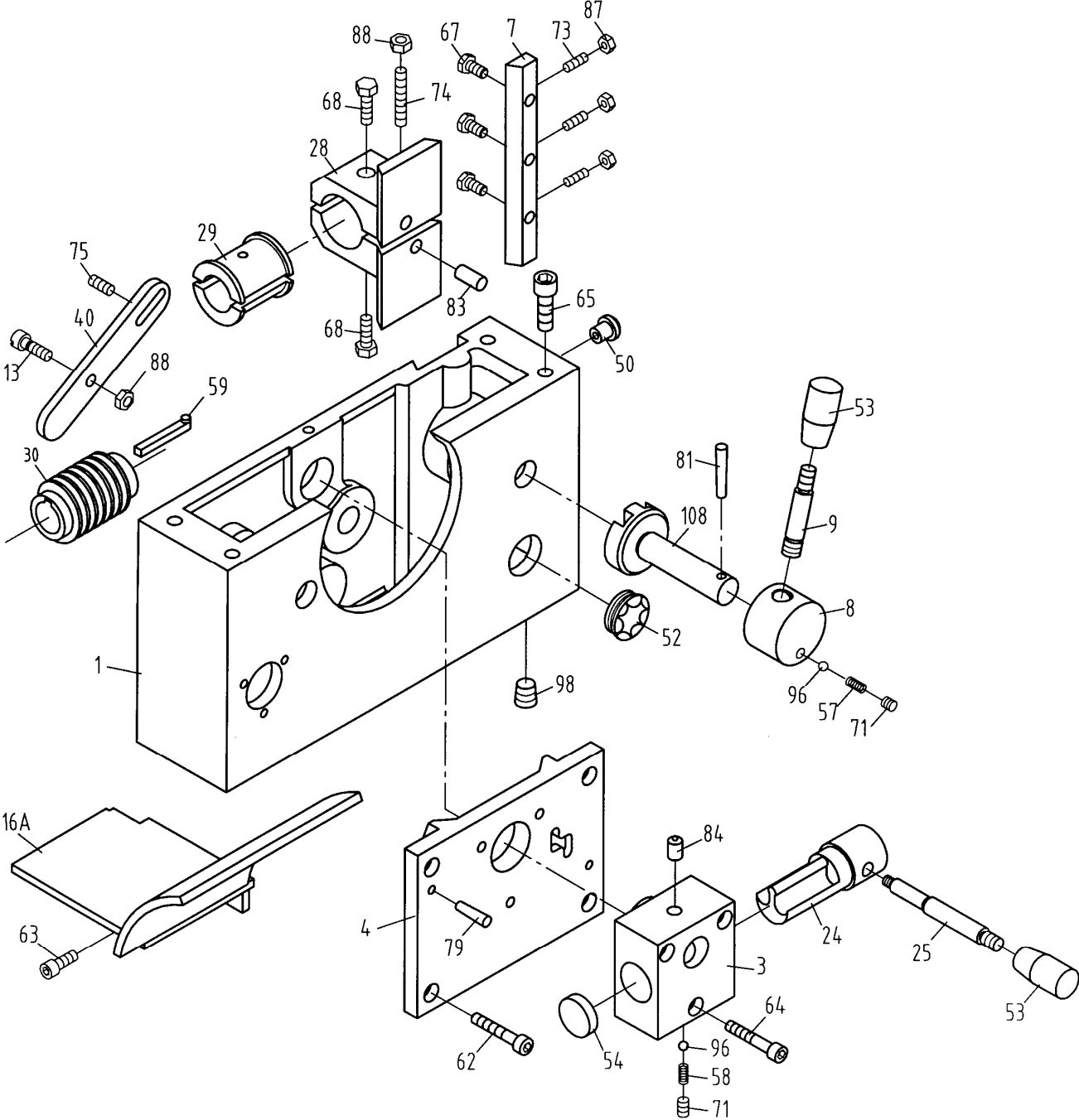
11.1 Gear Assembly III – Exploded View



11.2 Gear Assembly III – Parts List

Index No	Part No	Description	Size	Qty
21	32A5113	Cover		1
22	32A5503	Gasket		1
50	32A5115	End Cover		1
52	32A5718A	Gear	2.5m30T, 15T	1
53	32A5721A	Gear	2.25m, 3.25m, 2.5m18T	1
54	05701	Key shaft		1
55	05505	Gasket		1
56	05102	Cover		1
58	40A5736	Gear	1.25m120T, 127T	1
59	40A5738	Collar		1
60	40A5739	Screw		1
61	321719	Washer		1
62	40A5740	Washer		2
62A	40A5740A	Washer		1
63	32A5726A	Gear	1.25m48T	5
64	32A5119	Gear Frame		1
65	321718	Screw rod		1
71	TS-1504031	Socket Head Cap Screw	M6 x 16	4
81	GHB1340A-G81	C-clip	20	1
82	GHB1340A-G82	C-clip	25	1
87	GHB1340A-G87	Key	5 x 14	1
88	GHB1340A-G88	Key	5 x 50	1
90	BB-6202	Bearing	6202	1
91	BB-6103	Bearing	6103	2
92	BB-6004	Bearing	6004	1
93	BB-6302	Thrust Bearing	6302	1
95	GHB1340A-G95	C-clip	35	2
96	TS-1540071	Hex Nut	M10	1
97	TS-1540081	Hex Nut	M12	3
130	TS-1503031	Socket Head Cap Screw	M6 x 12	3
132	TS-2360121	Washer		1
134	GHB1340A-G134	Hex Socket Cap Screw	M8 x 30	1

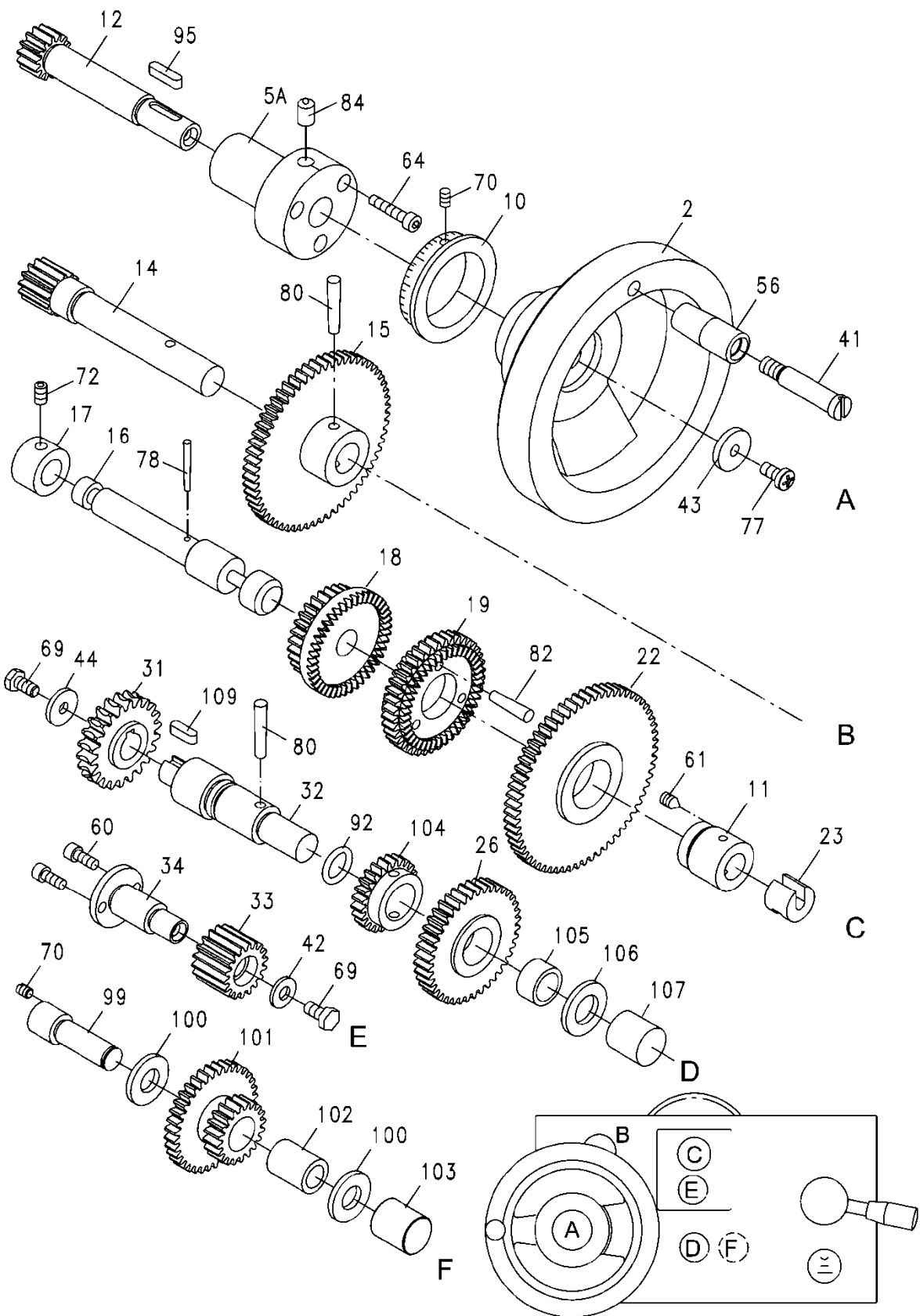
12.1 Apron Assembly I – Exploded View



12.2 Apron Assembly I – Parts List

Index No	Part No	Description	Size	Qty
1	GHB1340A-06101A	.. Casting.....		1
3	06103 Housing.....		1
4	06104 Cover		1
7	06107 Gib		1
8	06208 Handle Hub.....		1
9	06209 Handle		1
13	06213 Gear Pin.....		1
16A	06415 Bracket.....		1
24	06222 Shift Lever.....		1
25	06223 Shift Handle		1
28	06126 Bracket.....		1
29	06427 Half Nut.....		1
30	06228 Worm (LH Thread).....	2m1T.....	1
	06228A Worm (RH Thread)	2m1T.....	1
40	06238 Bar		1
50	06548 Oil Filler Plug		1
52	06551 Oil Sight Glass (GHB-1340A serial #10052363A and lower)		1
	06551 Oil Sight Glass (BDB-1340A serial #1008B1083A and lower)		1
	GHB1340A-160M Oil Sight Glass (GHB-1340A serial #10102364A and higher).....	M27x1.5	1
	GHB1340A-160M Oil Sight Glass (BDB-1340A serial #1010B1084A and higher).....	M27x1.5	1
53	06553 Knob	M8 x 40	2
54	Z06554 Plug "A"		1
57	06257 Spring		1
58	06258 Spring		1
59	06260 Key.....		1
62	TS-1503031 Hex Socket Cap Screw.....	M6 x 12	4
63	TS-1503041 Hex Socket Cap Screw.....	M6 x 16	1
64	TS-1503061 Hex Socket Cap Screw.....	M6 x 25	2
65	TS-1504061 Hex Socket Cap Screw.....	M8 x 30	4
67	GHB1340-A67 Screw.....	M5 x 16	3
68	TS-1523041 Set Screw	M6 x 12	2
71	TS-1523011 Set Screw	M6 x 6	3
73	TS-1522051 Set Screw	M5 x 16	3
74	GHB1340-A74 Set Screw	M6 x 35	1
75	TS-1523031 Set Screw	M6 x 10	1
79	GHB1340-A79 Pin.....	5 x 20	2
81	GHB1340-A81 Pin.....	5 x 32	1
83	GHB1340-A83 Pin.....	8n6 x 12	2
84	GHB1340-A84 Oiler	8	2
87	TS-1540031 Hex Nut.....	M5	3
88	TS-1540041 Hex Nut.....	M6	2
96	SB-5MM Steel Ball.....	5	2
98	GHB1340A-A98 Plug.....	Z1/4".....	1
108	06261 Half Nut Controlling Shaft		1

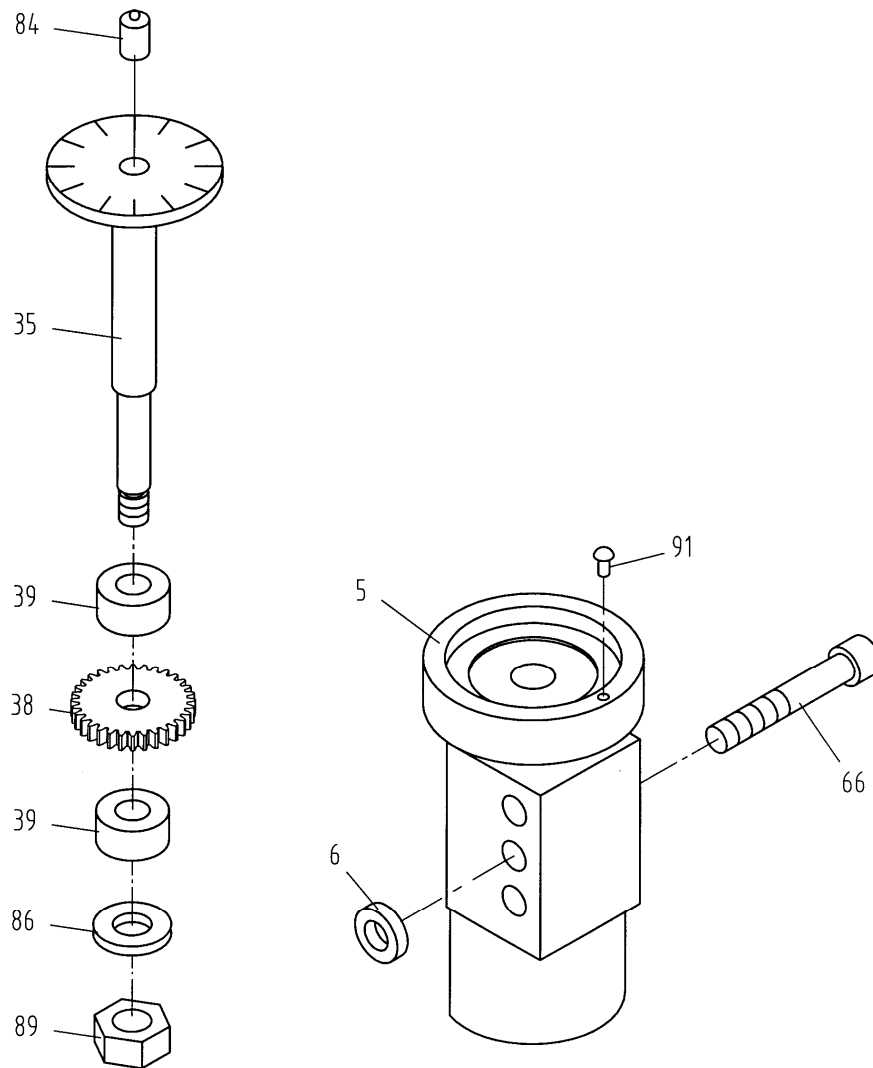
13.1 Apron Assembly II – Exploded View



13.2 Apron Assembly II – Parts List

Index No	Part No	Description	Size	Qty
2	06102	Handwheel		2
5A	06105A	Hub		1
10	06510	Index Ring		1
11	Z06111	Cover		1
12	06212	Shaft	1.5m14T	1
14	06214	Gear Shaft	1.5m13T	1
15	06215	Gear	1.5m60T	1
16	06216	Shaft		1
17	06417	Collar		1
18	06218	Gear	1.5m30T	1
19	06219	Gear	1.5m40T	1
22	06220	Gear	1.5m46T	1
23	06421	Shift Fork		1
26	GHB1340A-06704	Gear	1.5m40T	1
31	06429	Gear	2m22T	1
32	GHB1340A-06714	Shaft		1
33	06231	Gear	1.5m18T	1
34	06232	Shaft		1
41	06239	Screw		1
42	TS-1550041	Washer		1
43	Z06241	Washer		1
44	06242	Washer		1
56	06556	Handle		1
60	TS-1502031	Hex Socket Cap Screw	M5 x 12	2
61	TS-1523011	Set Screw	M6 x 6	1
64	TS-1503061	Hex Socket Cap Screw	M6 x 25	3
69	TS-1503021	Screw	M6 x 10	2
70	TS-1522011	Set Screw	M5 x 6	2
72	TS-1523031	Set Screw	M6 x 10	1
77	GHB1340-A77	Screw	M6 x 12	1
78	GHB1340-A78	Pin	3 x 25	1
80	GHB1340-A80	Pin	5 x 30	2
82	GHB1340-A82	Pin	5 x 25	3
84	GHB1340-A84	Oiler	8	1
92	GHB1340-A92	O-Ring	20 x 2.4	2
95	GHB1340-A95	Key	A5 x 18	1
99	GHB1340A-06732	Shaft		1
100	GHB1340A-06114	Washer		2
101	GHB1340A-06734	Gear	1.5m20T, 36T	1
102	GHB1340A-06115	Collar		1
103	GHB1340A-A103	Shaft Plug		1
104	GHB1340A-06731	Gear	1.5m24T	1
105	GHB1340A-06113	Collar		1
106	GHB1340A-06111	Washer		1
107	GHB1340A-06112	Shaft Plug		1
109	GHB1340A-A109	Key	5 x 12	1

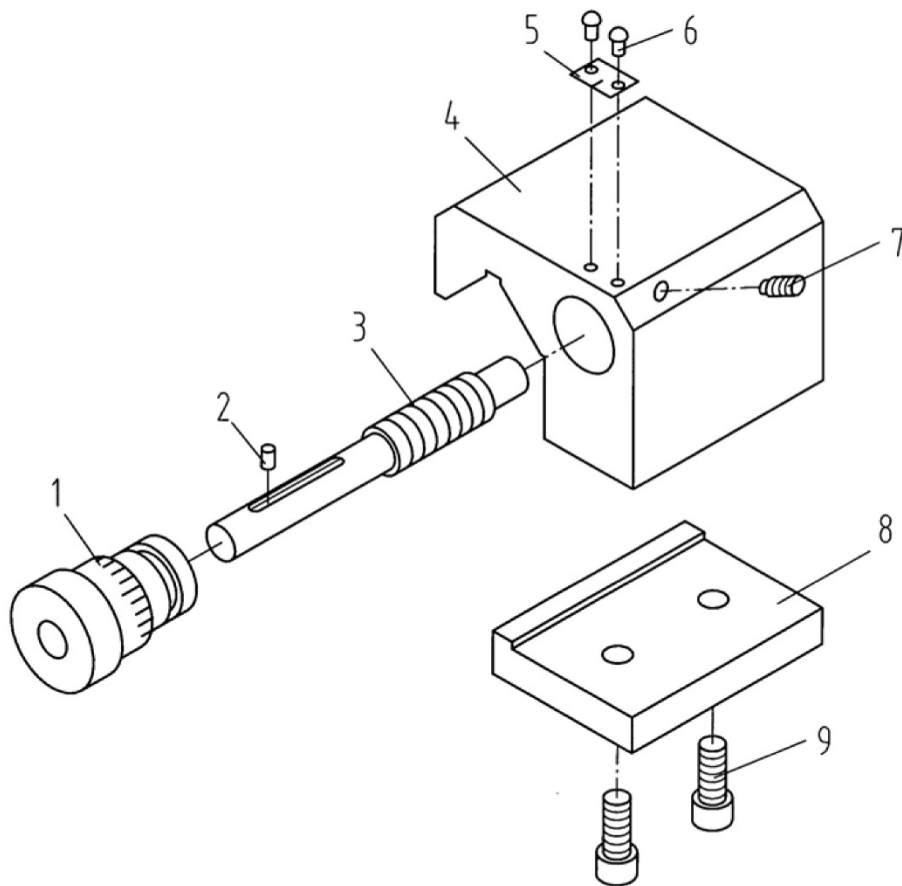
14.1 Apron Assembly III – Exploded View



14.2 Apron Assembly III – Parts List

Index No	Part No	Description	Size	Qty
5	Z06105	Threading Dial Body		1
6	06206	Washer		1
35	06233	Threading Dial Shaft		1
38	06236	Gear	1m32T	1
39	06237	Spacer		2
66	TS-1504101	Hex Socket Cap Screw	M8 x 50	1
84	GHB1340-A84	Oiler	8	1
86	GHB1340-A86	Lock Washer	M8	1
89	TS-1540061	Hex Nut	M8	1
91	GHB1340-A91	Rivet	3 x 8	1

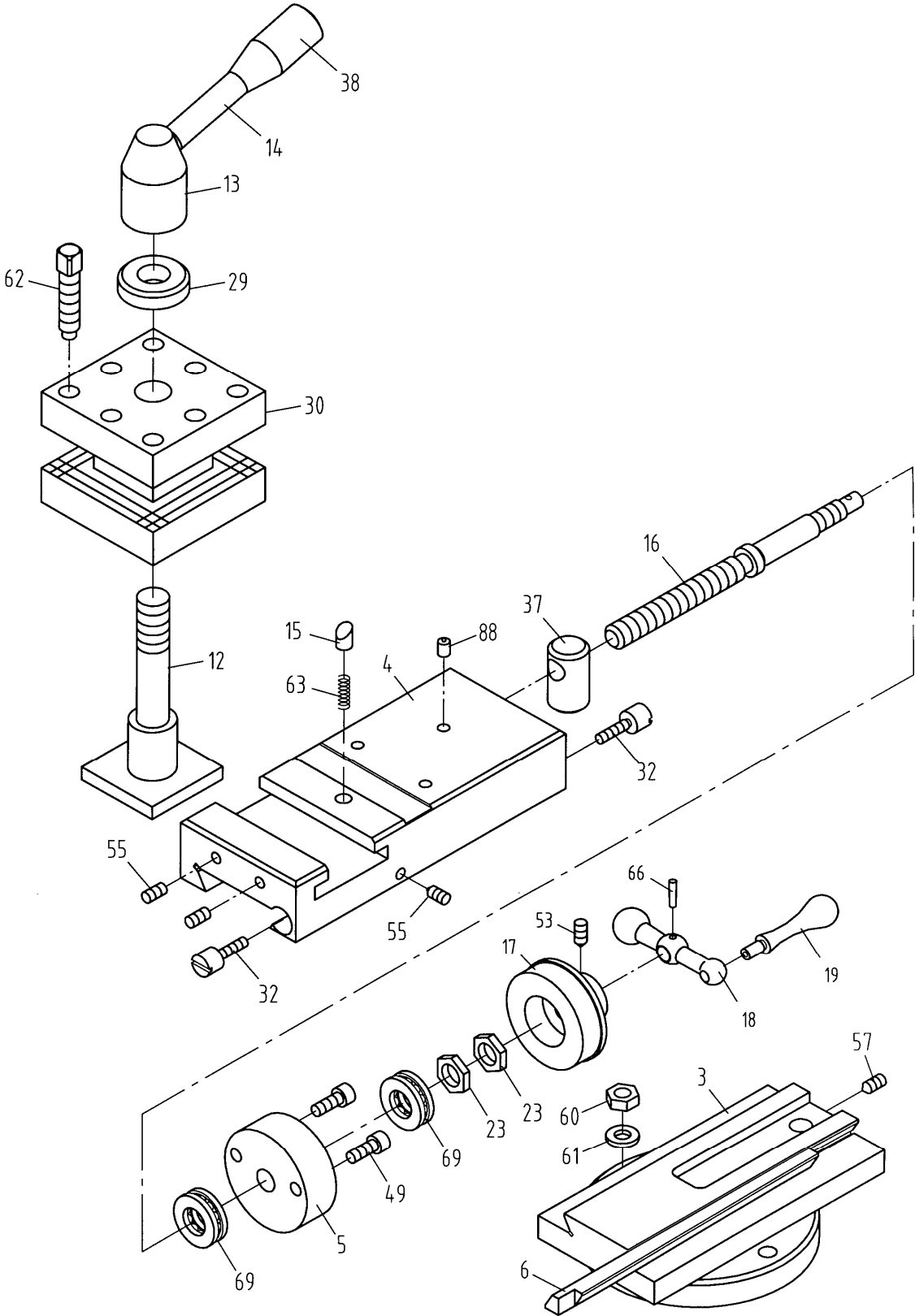
15.1 Micro Carriage Stop Assembly – Exploded View



15.2 Micro Carriage Stop Assembly – Parts List

Index No	Part No	Description	Size	Qty
1	GHB1340A-01707	Dial		1
2	GHB1340A-MS02	Pin	B3 x 6	1
3	GHB1340A-01716	Axle		1
4	GHB1340A-01107	Stop		1
5	ZX-03302	Indicator Plate		1
6	ZX-MS06	Pin	3 x 8	2
7	TS-1523031	Socket Set Screw	M6 x 10	1
8	GH1340A-01108	Clamping Plate		1
9	TS-1503051	Hex Socket Cap Screw	M6 x 20	2

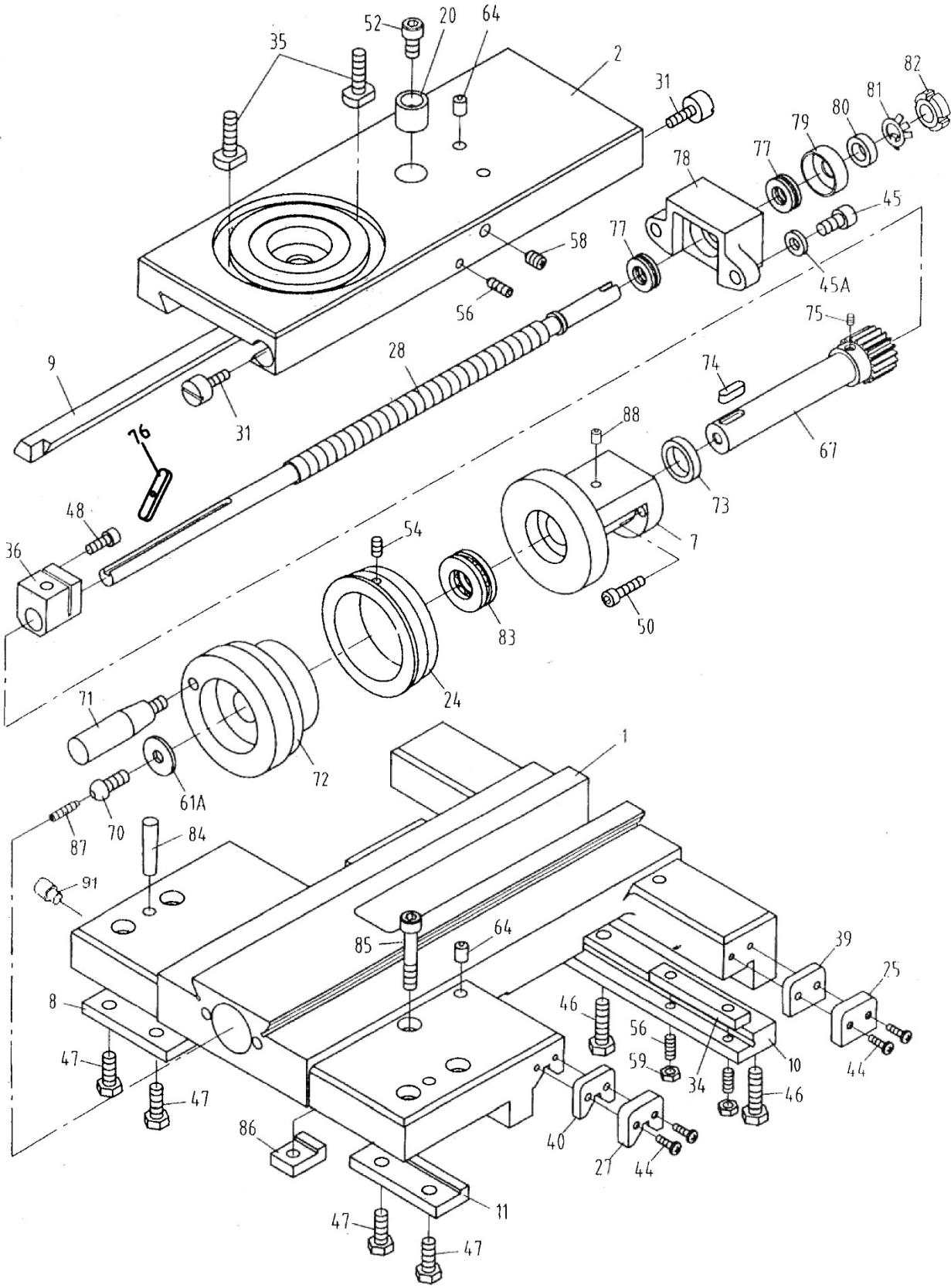
16.1 Top Slide, Tool Post, Saddle, and Cross Slide I – Exploded View



16.2 Top Slide, Tool Post, Saddle, and Cross Slide I – Parts List

Index No	Part No	Description	Size	Qty
3	07103	Swivel Slide		1
4	07104	Top Slide		1
5	07111	Collar		1
6	07117	Gib		1
12	07205	Screw		1
13	07206	Handle Base		1
14	07207	Handle Shaft		1
15	07209	Stop		1
16	07210	Screw		1
17	07212	Index Ring		1
18	07213	Ball Handle		1
19	07214	Handle		1
23	07221	Nut		2
29	07233	Washer		1
30	07234	Post Base		1
32	07237	Gib Adjusting Screw		2
37	07430	Nut		1
38	07508	Knob		1
49	TS-1503051	Hex Socket Cap Screw	M6 x 20	2
53	TS-1523011	Set Screw	M6 x 6	1
55	TS-1523031	Set Screw	M6 x 10	3
57	TS-1524011	Set Screw	M8 x 8	1
60	TS-1540061	Hex Nut	M8	2
61	TS-1550061	Washer	M8	1
62	GHB1340-62T	Screw	M10 x 40	8
63	GHB1340-63T	Spring	0.6 x 4x 18	1
66	GHB1340-66T	Pin	3 x 16	1
69	GHB1340-69T	Ball Bearing		2
	GHB1340-TSA	Top Slide Assembly w/o Tool Post		1
70	07545	Screw	M8 x 20	1
88	GHB1340-88	Oil Ball	6	1

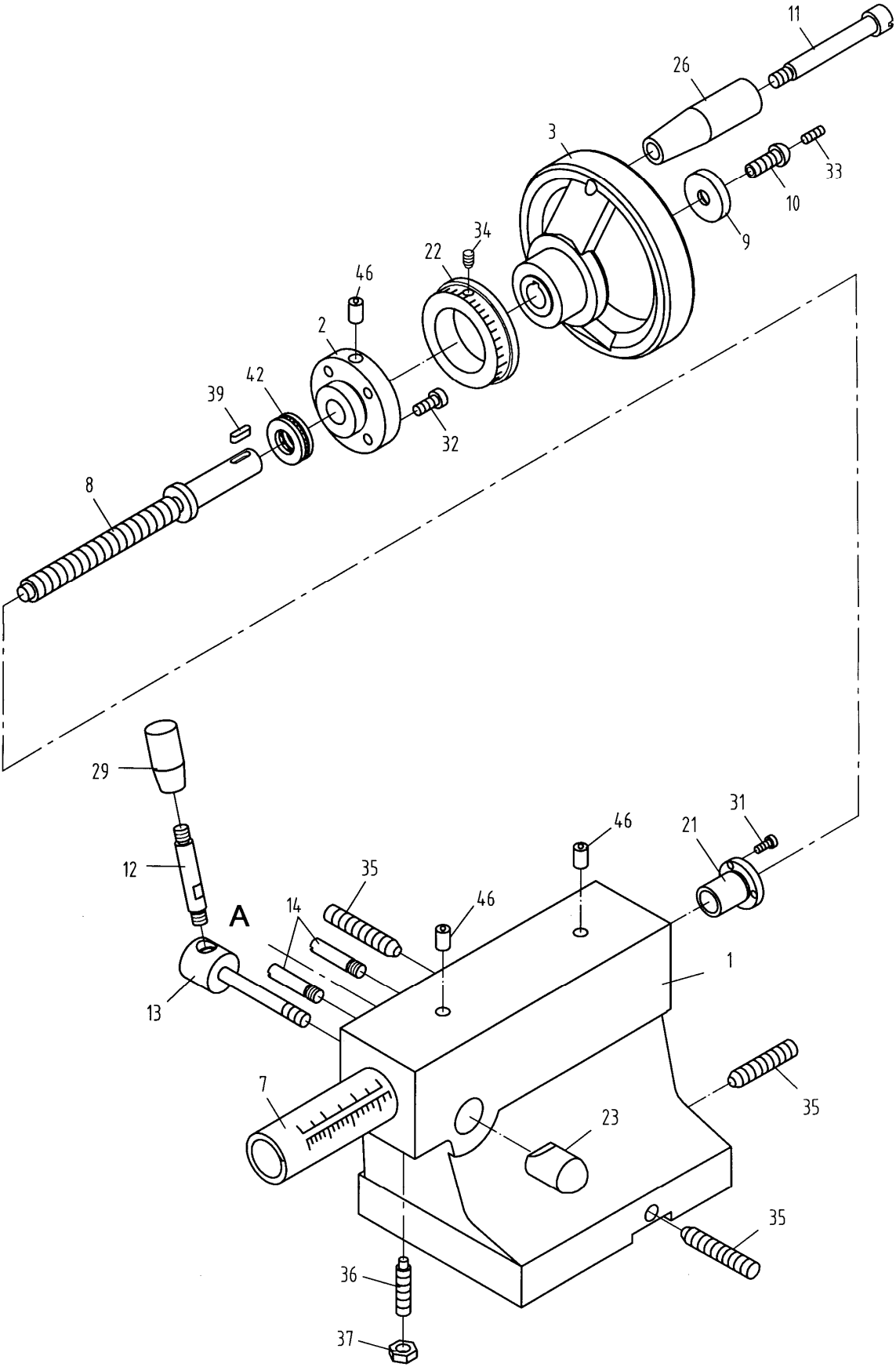
17.1 Top Slide, Tool Post, Saddle, and Cross Slide II – Exploded View



17.2 Top Slide, Tool Post, Saddle, and Cross Slide II – Parts List

Index No	Part No	Description	Size	Qty
1	07101	Saddle (GHB-1340A serial #07061685A and lower)		1
		(BDB-1340A serial #0706B0764A and lower)		1
	GHB-1340A-04101A	Saddle (GHB-1340A serial #07071686A and higher)		1
		(BDB-1340A serial #0707B0765A and higher)		1
2	07102	Cross Slide		1
7	07120N	Bearing Housing		1
8	07123	Strip		1
9	07131	Gib		1
10	07132	Strip		1
11	07141	Front Strip (GHB-1340A serial #07061685A and lower)		1
		(BDB-1340A serial #0706B0764A and lower)		1
	C0632-04111A	Front Strip (GHB-1340A serial #07071686A and higher)		1
		(BDB-1340A serial #0707B0765A and higher)		1
20	07216	Collar		1
24	07222N	Index Ring		1
25	07224	Plate		2
27	07227	Plate		2
28	07229N	Screw		1
31	07236	Gib Adjusting Screw		2
34	07239	Gib Strip		2
35	07240	T-Bolt		2
36	07415N	Block		1
39	07526	Wiper		2
40	07528	Wiper		2
44	GHB1340-44T	Screw	M4 x 12	8
45	TS-1504051	Hex Socket Cap Screw	M8 x 25	2
45A	TS-1551061	Lock Washer	M8	2
46	GHB1340-46T	Screw	M8 x 20	3
47	GHB1340-47T	Screw	M8 x 20	4
48	TS-1503041	Hex Socket Cap Screw	M6 x 16	1
50	TS-1503061	Hex Socket Cap Screw	M6 x 25	2
52	TS-1504031	Hex Socket Cap Screw	M8 x 16	1
54	TS-1523021	Set Screw	M6 x 8	1
56	TS-1523071	Set Screw	M6 x 25	5
58	TS-1524021	Set Screw	M8 x 10	1
59	TS-1540041	Hex Nut	M6	4
61	TS-1550061	Washer	M8	1
61A	GHB1340-65T	Washer		1
64	GHB1340-64T	Oil Ball	8	5
67	07530	Gear Shaft		1
70	TS-1504041	Screw	M8 x 20	1
71	07531	Handle		1
72	07532	Compound Handle		1
73	07533	Spacer		1
74	07534	Key		1
75	07535	Set Screw	M3 x 8	1
76	07536	Key	5 x 5 x 30	1
77	BB-8101	Thrust Bearing	8101	2
78	07538	Bearing Housing		1
79	07539	Bearing Dust Cover		1
80	07540	Washer		1
81	07541	Star Washer		1
82	07542	Locking Nut		1
83	BB-8104	Thrust Bearing	8104	1
84	GHB1340-84	Taper Pin	8 x 40	2
85	GHB1340-85	Hex Socket Cap Screw	M8 x 50	1
86	GHB1340-86	Locking Washer		1
87	GHB1340-87	Screw	M5 x 20	1
88	GHB1340-88	Oil Ball	6	1
91	GHB1340A-04789E	Stop Pin (GHB-1340A for serial #07071686A and higher)		1

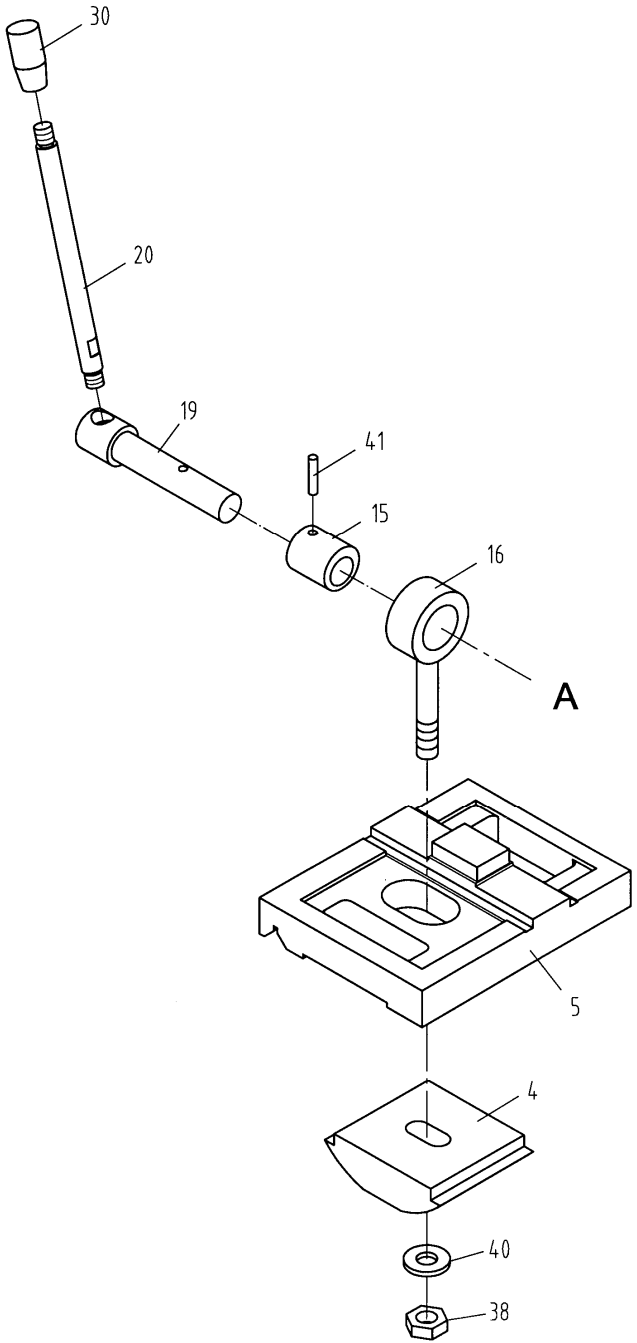
18.1 Tailstock Assembly I – Exploded View



18.2 Tailstock Assembly I – Parts List

Index No	Part No	Description	Size	Qty
1	Z08101	Casting.....		1
2	Z08102	Flange Cover		1
3	08103	Hand Wheel		1
7	08202	Quill.....		1
8	Z08203	Screw.....		1
9	GHB1340-09TS	Washer		1
10	Z08205	Screw.....	M8 x 20	1
11	08206	Screw.....		1
12	Z08207	Lever.....		1
13	08208	Shaft		1
14	08209	Screw.....		2
21	08401	Nut		1
22	08402	Index Ring.....		1
23	08403	Pivot Block.....		1
26	08501	Handle		1
29	GHB1340-29TS	Handle	M8 x 40	1
31	TS-1501031	Hex Socket Cap Screw.....	M4 x 10	3
32	TS-1503041	Hex Socket Cap Screw.....	M6 x 16	4
33	TS-1522061	Set Screw	M5 x 20	1
34	TS-1523031	Set Screw	M6 x 8	1
35	GHB1340-35TS	Set Screw	M10 x 45	3
36	GHB1340-36TS	Screw.....	M8 x 35	1
37	TS-1540061	Hex Nut.....	M8	1
39	GHB1340-39TS	Key.....	4 x 15	1
42	BB-51102	Bearing	8102	1
46	GHB1340-43TS	Oil Ball	8	3
	Z08201	Live Center (not shown).....	MT3	1
	8404	Arrow Plate (not shown)		1
	8405	Scale Plate (not shown).....		1

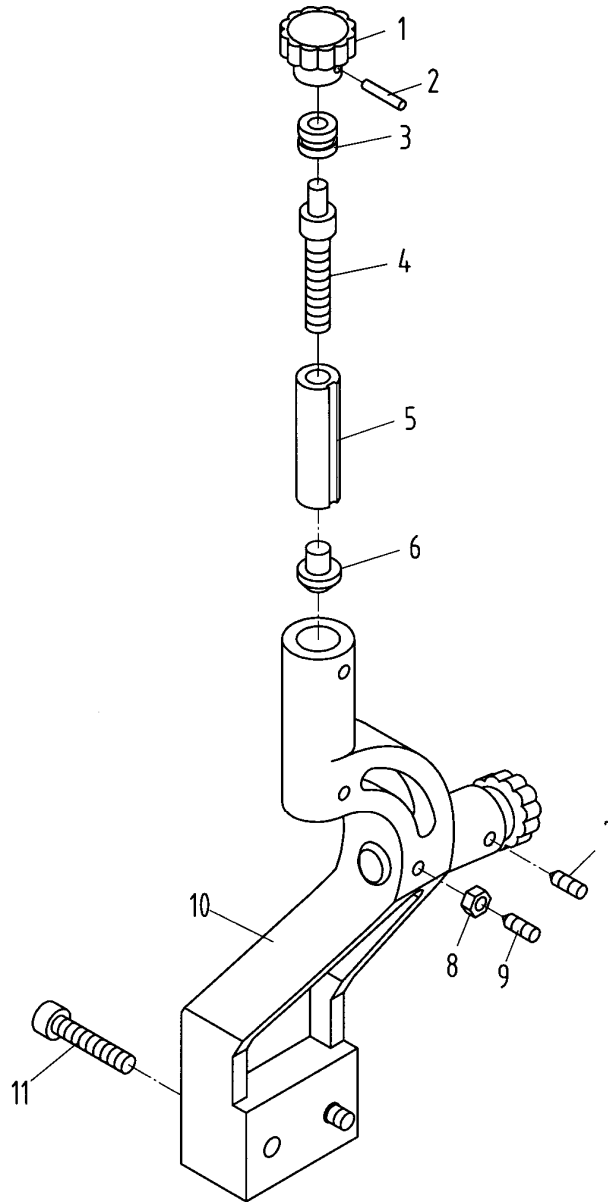
19.1 Tailstock Assembly II – Exploded View



19.2 Tailstock Assembly II – Parts List

Index No	Part No	Description	Size	Qty
4	08104	Clamp Plate		1
5	08105	Base		1
15	08211	Collar		1
16	08212	Screw		1
19	08213	Shaft		1
20	08214	Lever		1
30	GHB1340-30TS	Knob	M10 x 50	1
38	TS-1540081	Hex Nut	M12	1
40	TS-2360121	Washer	M12	1
41	GHB1340-41TS	Pin	5 x 25	1

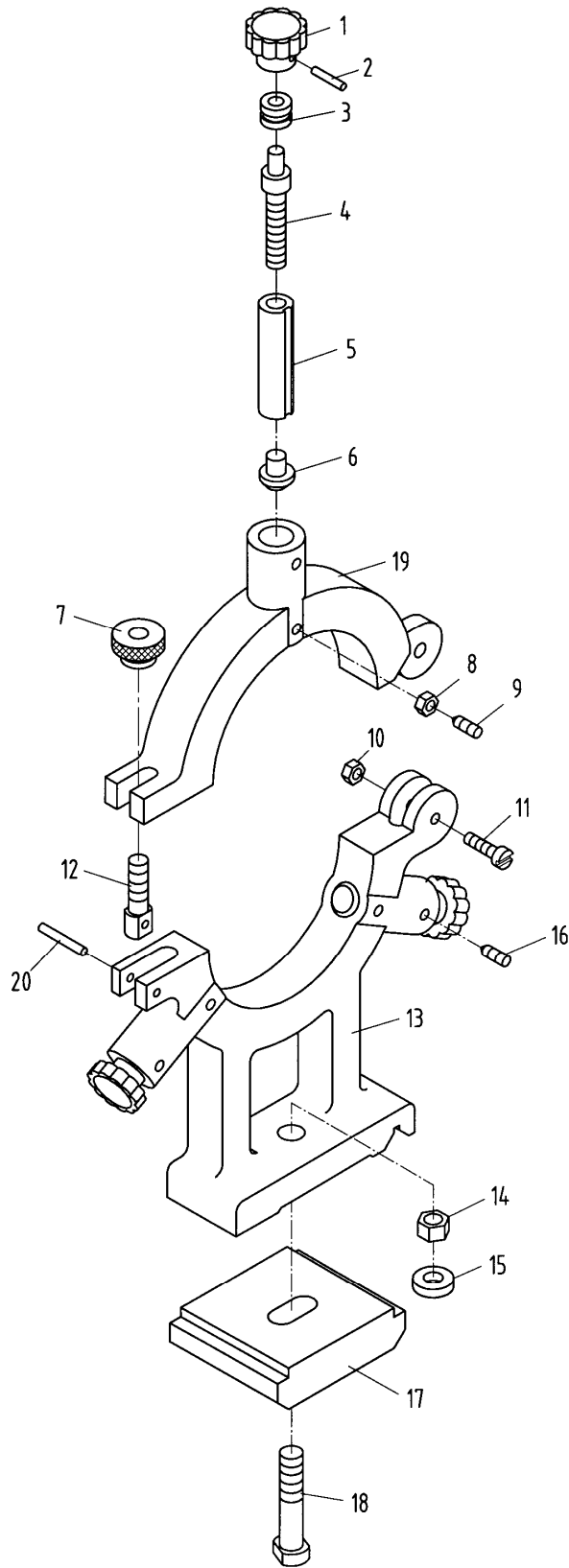
20.1 Follow Rest – Exploded View



20.2 Follow Rest – Parts List

Index No	Part No	Description	Size	Qty
1	GHB1340-1FR	Knob		2
2	GHB1340-2FR	Pin	3 x 18	2
3	10208	Bushing		2
4	10204	Screw		2
5	10201	Sleeve		2
6	10401	Brass Finger		2
7	TS-1523011	Set Screw	M6 x 8	2
8	TS-1540041	Nut	M6	2
9	TS-1523051	Set Screw	M6 x 16	2
10	10104	Base Casting		1
11	TS-1504071	Hex Socket Cap Screw	M8 x 35	2
	GHB1340-FR	Follow Rest Complete		1

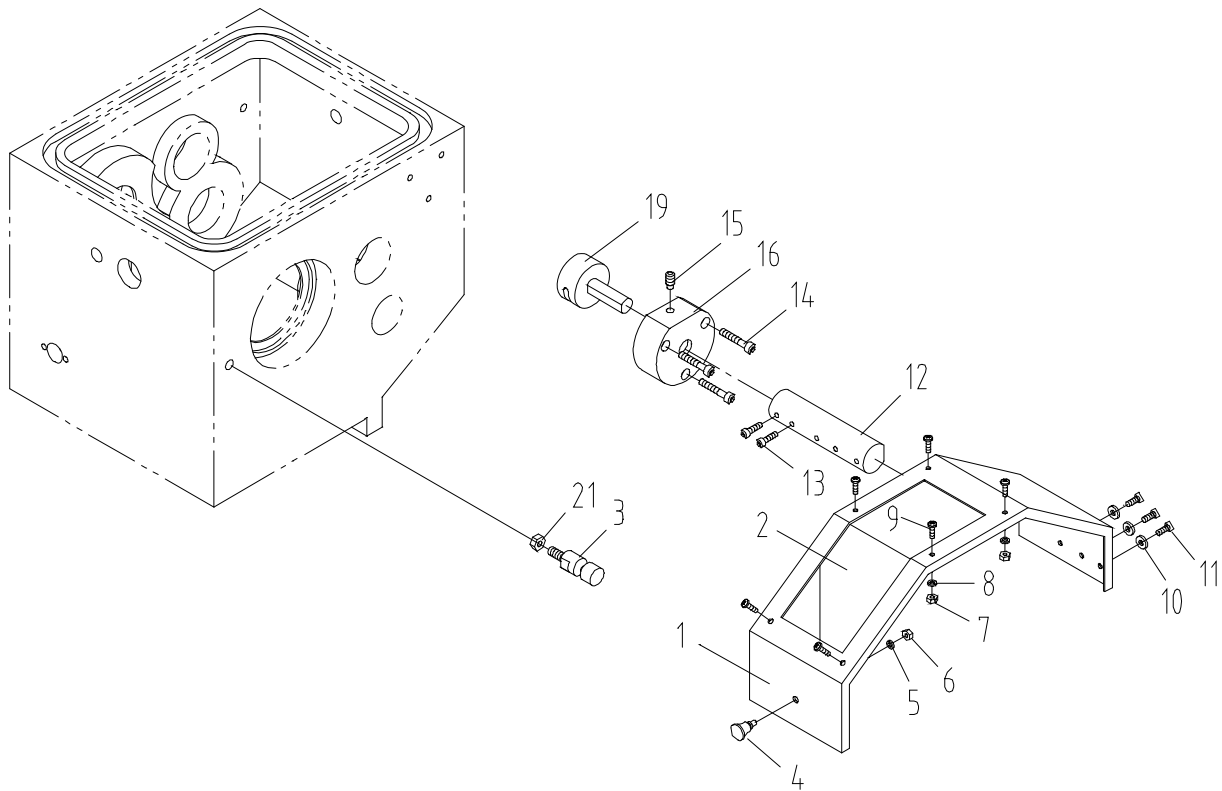
21.1 Steady Rest – Exploded View



21.2 Steady Rest – Parts List

Index No	Part No	Description	Size	Qty
1	GHB1340-1FR	Knob		3
2	GHB1340-2FR	Pin	3 x 18	3
3	10203	Bushing		3
4	10204	Screw		3
5	10201	Sleeve		3
6	10401	Brass Finger		3
7	10205	Lock Knob		1
8	TS-1540041	Nut	M6	3
9	TS-1523051	Set Screw	M6 x 16	3
10	TS-1540041	Nut	M6	1
11	GHB1340-11SR	Bolt	M6 x 30	1
12	10206	Pivot Bolt		1
13	10102	Base Casting		1
14	TS-1540081	Nut	M12	1
15	TS-1550081	Flat Washer	M12	1
16	TS-1523021	Set Screw	M6 x 8	3
17	10103	Clamp Rod		1
18	TH1340-18SR	Clamp Screw		1
19	10101	Top Casting		1
20	GHB1340-20SR	Pin	5 x 25	1
	GHB1340-SR	Steady Rest Complete		1

22.1 GHB-1340A/1440A Chuck Guard Assembly – Exploded View



22.2 GHB-1340A/1440A Chuck Guard Assembly – Parts List

Index No	Part No	Description	Size	Qty
	GHB-CGA	Chuck Guard Assembly (index #1 thru 21)		1
1	GHB1340A-19701E	Protection Guard		1
2	GHB1340A-19501E	Protection Guard Visual Glass		1
3	ZX-19704E	Fixing Rod		1
4	SG-04	Handle	HY32-1	1
5	TS-2361051	Spring Lock Washer	5 mm	1
6	TS-1540031	Hex Nut	M5	1
7	ZX-S07E	Hex Thin Nut	M4	6
8	TS-1550031	Plain Washer	5 mm	6
9	TS-1532042	Cross Recessed Pan Head Screws	M4x12	6
10	TS-1550031	Plain Washer	5 mm	3
11	TS-1534032	Cross Recessed Pan Head Screws	M6x10	3
12	GHB1340A-19703E	Rest Bar		1
13	TS-1524021	Hex Socket Set Screw	M8x10	2
14	TS-1503071	Hex Socket Cap Screw	M6x30	3
15	TS-1524041	Hex Socket Set Screw	M8x16	1
16	GHB1340A19704	Switch Box		1
19	GHB1340A19702E	Shaft		1
21	ZXS21E	Nut	M8	1

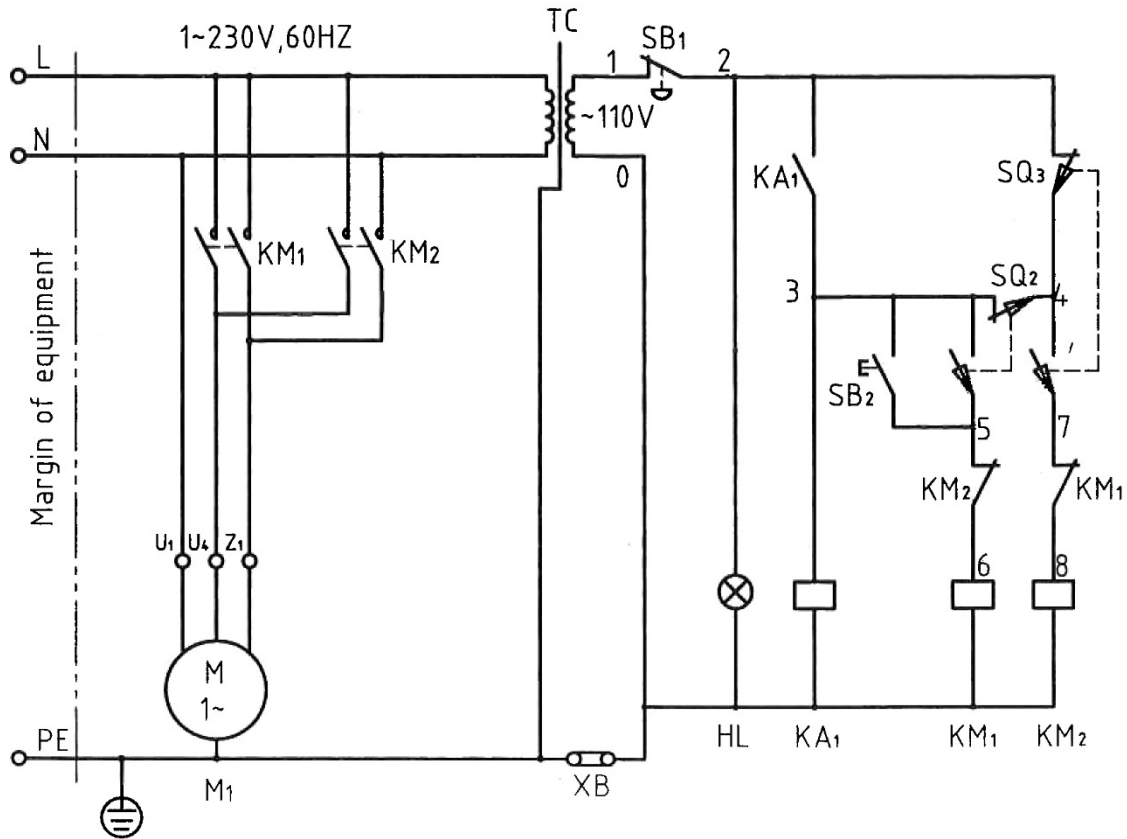
23.0 Additional Parts (Not Shown)

Index No	Part No	Description	Size	Qty
	GHB1340-FP	Face Plate	12" D1-4	1
	GHB1340-TBC	Tool Box Complete		1
	321449	Chuck	6" 3 Jaw	1
	321430	Chuck	8" 4 Jaw	1
	GHB1340A-CG1	Change Gear	1.25m44T	1
	GHB1340A-CG2	Change Gear	1.25m48T	1
	GHB1340A-CG3	Change Gear	1.25m33T	1
	GHB1340A-CG4	Change Gear	1.25m46T	1
	GHB1340A-CG5	Change Gear	1.25m52T	1

24.0 Additional Electrical Components (Not Shown)

Index No	Part No	Description	Size	Qty
	BDB1340-QS1	Main Power Switch (BDB-1340A Only)		1
	BDB1340-QS1-A	Faceplate for Power Switch (BDB-1340A Only)		1
	BDB1340-QS1-B	Knob for Power Switch (BDB-1340A Only)		1
	321320	Motor (2HP, 1Ph, 60HZ 230V only for GHB-1340A/1440A)		1
	GHB1340-MP	Motor Pulley		1
	321321	Motor (2HP, 1Ph, 60HZ 230V only for BDB-1340A)		1
	BDB1340-MP	Motor Pulley		1
	GHB1340-C	Capacitor (same with BDB-1340A)		1
	GHB1340-CC	Capacitor Cover (same with BDB-1340A)		1
	GHB1340-CSF	Centrifugal Switch Fixture (same with BDB-1340A)		1
	GHB1340-CSR	Centrifugal Switch Rotor		1
	BDB1340-CSR	Centrifugal Switch Rotor		1
	GHB1340A-EBC	Electrical Box Complete		1
	BDB1340A-EBC	Electrical Box Complete		1
	GHB1340A-18701	Electrical Box (bare)		1
	BDB1340A-18701	Electrical Box (bare)		1
	GHB1340-JB	Motor Junction Box		1
	BDB1340-JB	Motor Junction Box		1
	GHB1340A-RSB	Rotary Switch Box		1
	GHB1340A-SP	Electric Switch Plate (GHB-1340A/1440A Only)		1

25.1 Electrical Schematic – GHB-1340A/1440A



25.2 Electrical Schematic Parts List – GHB-1340A/1440A

Index No	Part No	Description	Size	Qty
1	GHB1340-SB1	Emergency Stop	LAY3-01ZS/1	1
2	GHB1340-SB2	Jog Button	LAY3-11	1
3	GHB1340-HL	Power Indicator Light	AD1-30/20	1
4	GHB1340-KA1	Magnetic Starter	CA2-DN140	1
5	GHB1340-KM1	Magnetic Starter	LC1-D259	1
6	GHB1340-KM2	Magnetic Starter	LC1-D259	1
7	GHB1340-TC	Control Transformer	JBK3-63	1
8	GHB1340A-SQ2	Stroke Switch	LXW5-11D1	1
9	GHB1340A-SQ3	Stroke Switch	LXW5-11D1	1
10	GHB1340-XT1	Wiring Board	JHY1-32	1
11	GHB1340-XT2	Wiring Board	JHY1-16	1
12	GHB1340-XB	Copper Plate (for grounding)		1