



Model No.:	Stock No.:
Serial No.:	
Purchased From:	
Date Purchased:	Date Installed:

Operation and Maintenance Instructions

ZH Series Large Bore Lathes

Models GH-2680ZH; GH-26120ZH



Model GH-2680ZH shown

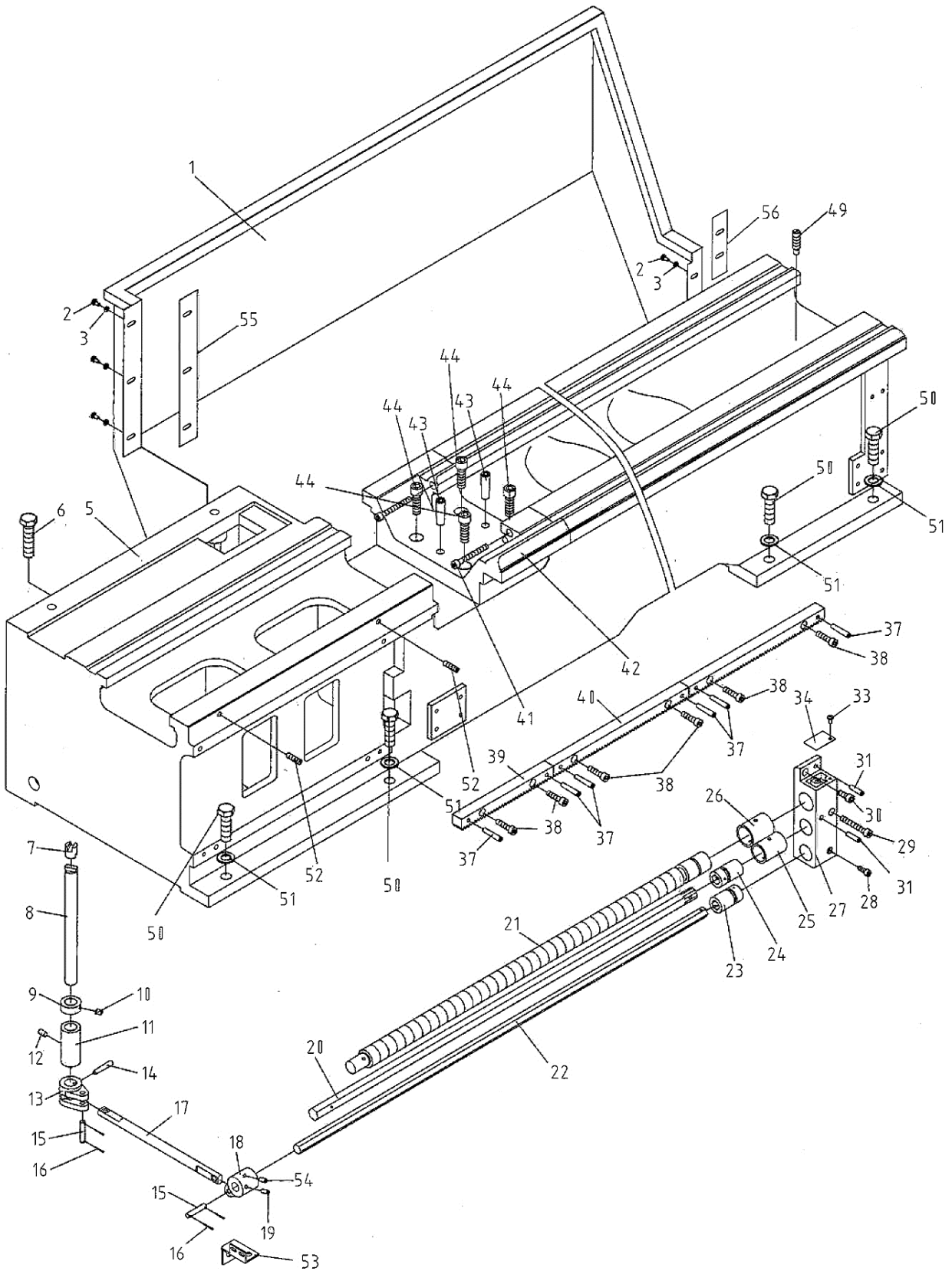
For ZH-Series Lathes Parts List and Electrical Diagrams, see document M-321860-1

JET

427 New Sanford Road
LaVergne, Tennessee 37086
Ph.: 800-274-6848
www.jettools.com

Part No. M-321860
Revision B 08/2014
Copyright © 2014 JET

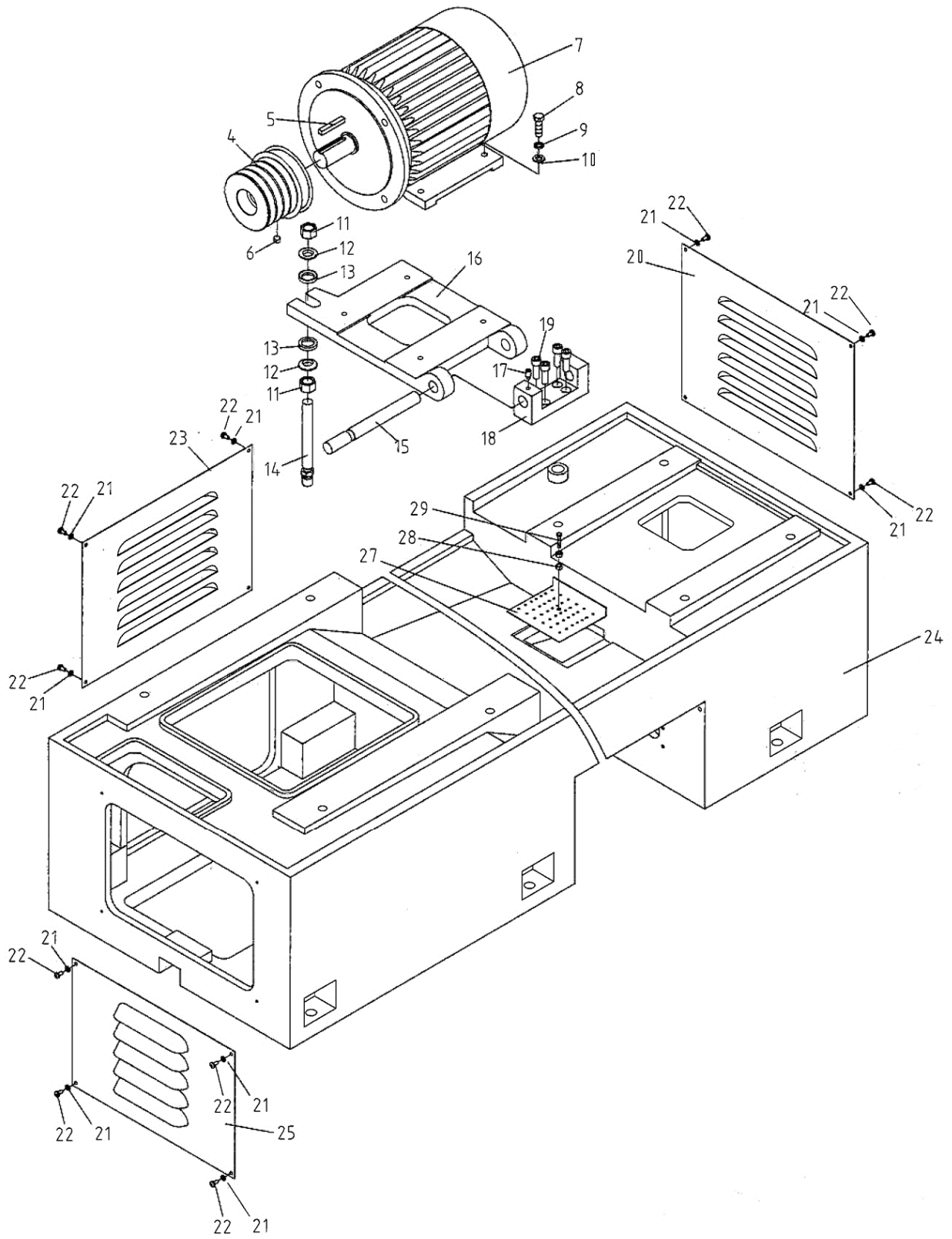
3.0 Bed Assembly I – Exploded View



3.1 Bed Assembly I – Parts List

Index No.	Part No.	Description	Size	Qty
1	C6266C12701C	Splash Guard (80" ZH only)	80"	1
	C6266C12701D	Traveling Splash Guard (120" ZH only) 24"	1	
2	TS-1503011	Hex Socket Cap Screw	M6x8	8
3	TS-1550041	Flat Washer	6 mm	8
5	C6266C01101C	Bed (for 80" ZH only)	80"	1
	C6266C01101D	Bed (for 120" ZH only)	120"	1
6	GB5782-M20x60	Hex Cap Bolt	M20x60	4
7	C6140W01705	Crossed Head		1
8	C6140W01706	Screw		1
9	C6140W01707	Collar		1
10	GB71-M10x12	Slotted Set Screw	M10x12	1
11	C6140W01709	Sleeve		1
12	GB71-M10x20	Slotted Set Screw	M10x20	1
13	C6140W01104	Crank		1
14	GB118-8x50	Taper Pin	8x50 mm	1
15	GB71-M10x14	Slotted Set Screw	M10x14	2
16	GB91-2x16	Split Pin	2x16 mm	4
17	C6140W01711A	Pulling Rod		1
18	C6266C01106	Sleeve		1
19	GB71-M8x16	Slotted Set Screw	M8x16	1
20	C6266C01703C	Hex Feed Rod (for 80" ZH only)		1
	C6266C01703D	Hex Feed Rod (for 120" ZH only)		1
21	C6266C01702C	Lead Screw (for 80" ZH only)		1
	C6266C01702D	Lead Screw (for 120" ZH only)		1
22	C6266C01705C	Hex Control Rod (for 80" ZH only)		1
	C6266C01705D	Hex Control Rod (for 120" ZH only)		1
23	C6140W01724	Sleeve		1
24	C6140W01725	Sleeve		1
25	C6140W01302	Bronze Bushing		1
26	C6140W01301	Bronze Bushing		1
27	C6140W01109	Bracket		1
28	TS-1505041	Hex Socket Cap Screw	M8x20	1
29	TS-1505111	Hex Socket Cap Screw	M10x70	1
30	TS-1505031	Hex Socket Cap Screw	M10x25	1
31	GB118-8x35	Taper Pin	8x35 mm	2
32	TS-1550041	Flat Washer	6 mm	8
33	TS-1503011	Hex Socket Cap Screw	M6x8	8
34	C6140W01726	Cover		1
37	C-GB11876845	Taper Pin	8x45 mm	6
38	TS-1505051	Hex Socket Cap Screw	M10x35	6
39	C6266C01704	Rack (both models)		1
40	C6140W01719	Rack (for 80" ZH)		5
	C6140W01719	Rack (for 120" ZH)		8
41	GB70-M10x85	Hex Socket Cap Screw	M10x85	2
42	C6266C01103	Gap		1
43	C-GB11876845	Taper Pin	16x60 mm	2
44	GB70-M16x50	Hex Socket Cap Screw	M16x50	4
49	C6140W01733	Pin		1
50	GB5782-M20x80	Hex Bolt	M20x80	4
51	GB97.2-20	Flat Washer	20 mm	8
52	GB85-M12x75	Set Screw	M12x75	2
53	C6266C18716	Bracket		1
54	C6266C01718	Nut		1
55	C6266CLR80	Rubber Gasket (for 80" ZH only)		1

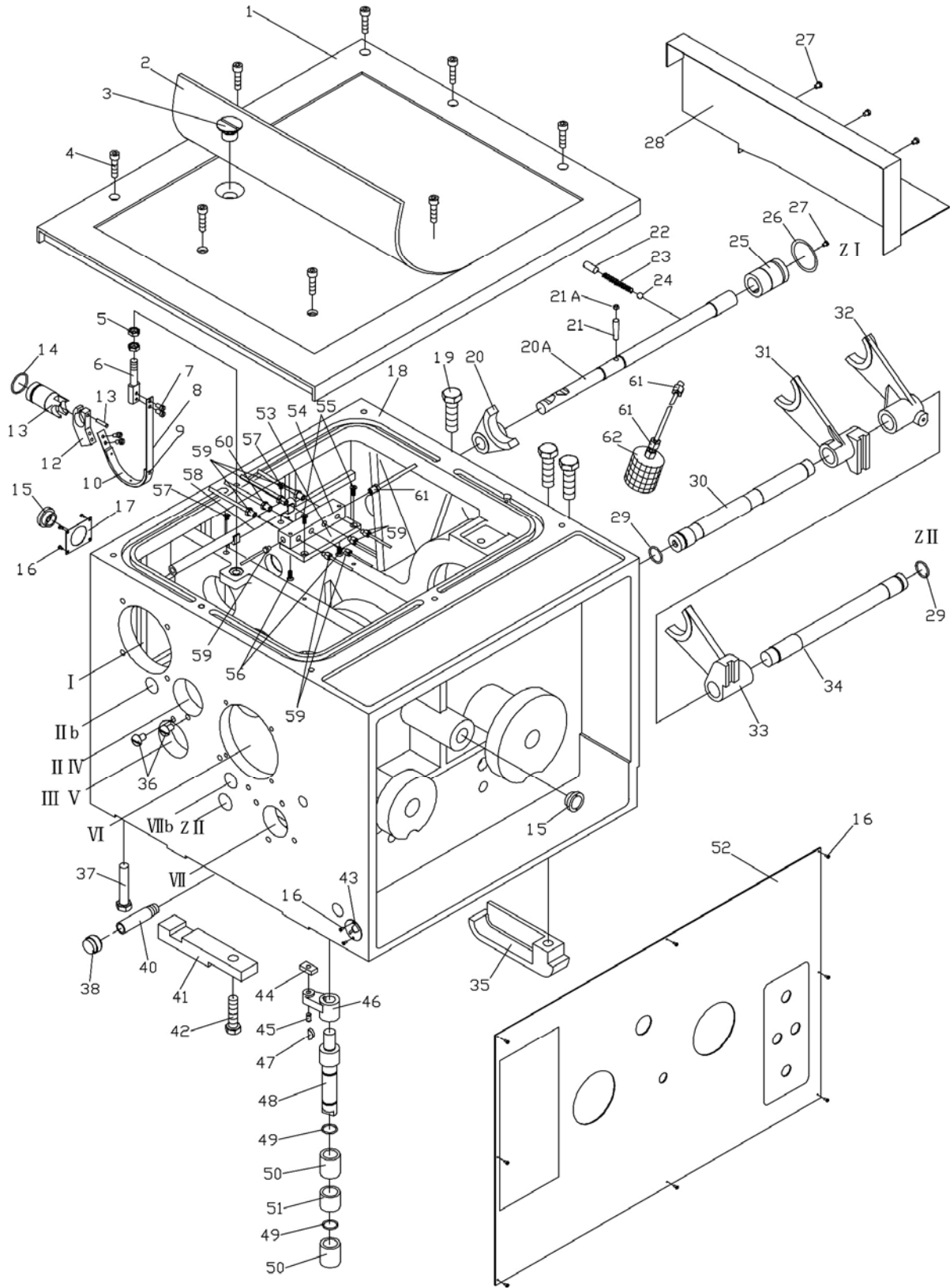
4.0 Bed Assembly II – Exploded View



4.1 Bed Assembly II – Parts List

Index No.	Part No.	Description	Size	Qty
4	C6266C01105	Pulley		1
5	GB1096-10x50	Flat Key	10x50 mm	1
6	GB71-M12x16	Slotted Set Screw	M12x16	1
7	Y132M-4TH/B3	Motor	10HP, 3PH, 230/460V	1
8	GB5782-M10x40	Hex Bolt	M10x40	4
9	GB93-10	Spring Washer	10 mm	4
10	GB97.2-10	Flat Washer	10 mm	4
11	GB6170-M20	Hex Nut	M20	2
12	GB850-20	Taper Washer	20 mm	2
13	GB849-20	Spherical Washer	20 mm	2
14	C6140W01714	Double Bolt		1
15	C6266C01711	Shaft		1
16	C6266C01104	Motor Mounting Plate		1
17	GB75-M10x14	Slotted Set Screw	M10x14	1
18	C6266C01107	Support		1
19	TS-1506041	Hex Socket Cap Screw	M12x35	4
20	C6266C01701	Cover		1
21	TS-1550041	Flat Washer	6 mm	12
22	GB818-M6x5	Cross Head Screw	M6x5	12
23	C6266C01710	Cover		1
24	C6266C01102C	Bed Stand (for 80" ZH only)		1
	C6266C01108	Front Bed Stand (for 120" ZH only)		1
	C6266C01109	Middle Bed Stand (for 120" ZH only)		1
	C6266C01110	Rear Bed Stand (for 120" ZH only)		1
25	C6266C01707	Cover		1
27	1440R01705	Drain Plate		1
28	TS-1540041	Hex Nut	M6	1
29	TS-1482041	Hex Cap Screw	M6x20	1
30	JETLOGO-1	JET Nameplate (not shown)		1
31	STRIPE-1-3/4	Stripe (not shown)		per ft.

5.0 Headstock Assembly I – Exploded View

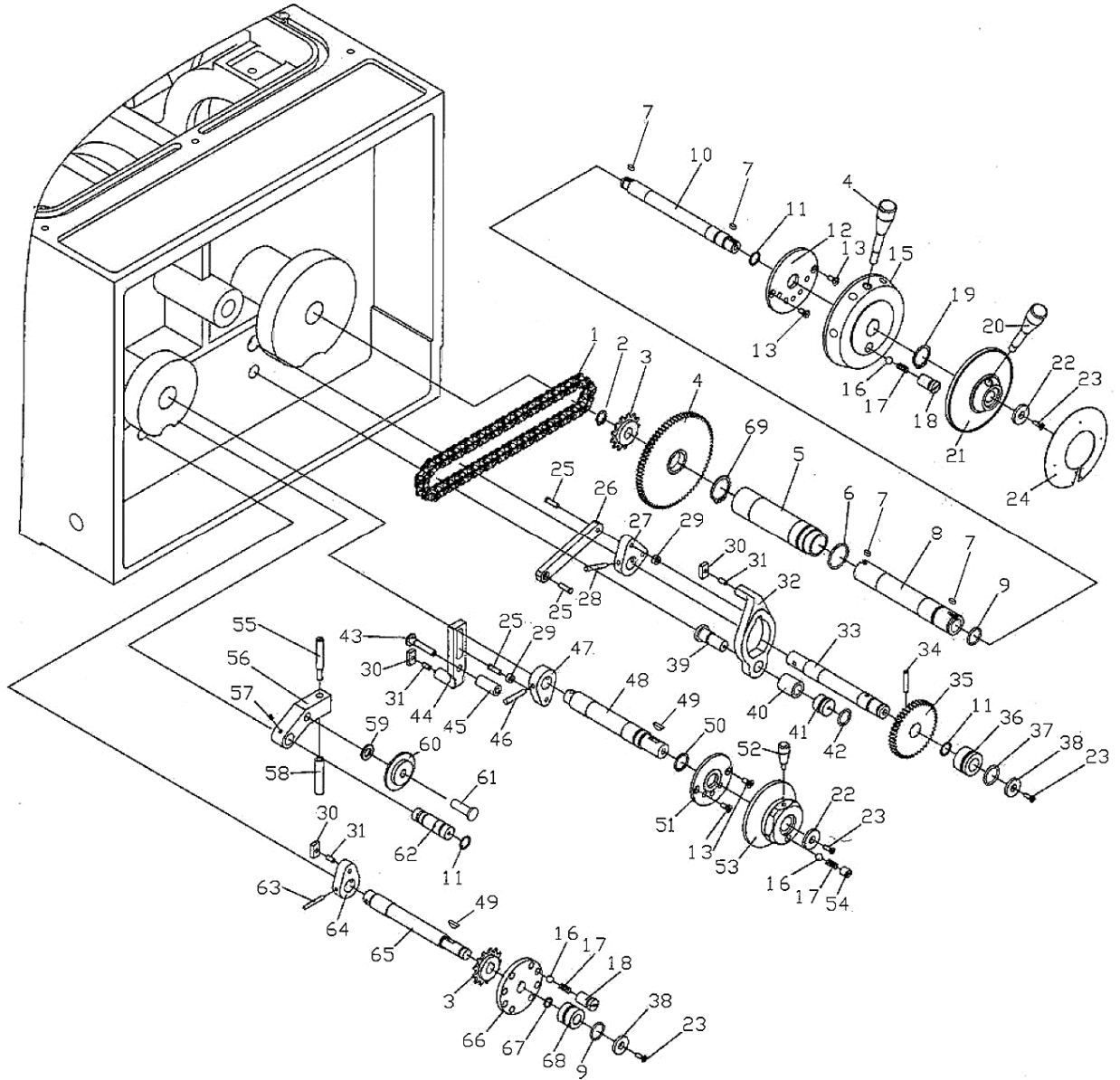


5.1 Headstock Assembly I – Parts List

Index No.	Part No.	Description	Size	Qty
1	C6266C02502	Headstock Cover		1
2	C6266C02501	Rubber Mat		1
3	C6140W02835	Flat Head Countersunk Screw		1
4	TS-1505051	Hex Socket Cap Screw	M10x35	8
5	GB6172-M12	Hex Nut	M12	2
6	C6266C02768	Braking Belt Support		1
7	GB65-M6x10	Slotted Socket Cap Screw	M6x10	4
8	C6266C02767	Braking Belt (includes #9 and 10)		1
9	GB867-3x10	Cup Head Rivet	3x10 mm	3
10	C6266C02503	Braking Friction Disc		1
11	GB119-6n6x14	Pin	6n6x14 mm	1
12	C6266C02770	Braking Belt Support		1
13	C6266C02769	Shaft		1
14	GB3452.1-30x2.65	O-Ring	30x2.65 mm	1
15	R51-2	Oil Glass		2
16	GB818-M3x4	Cross Recessed Pan Head Screw	M3x4	7
17	C6266C02306	Sign Plate – Oil Level		1
18	C6266C02101	Headstock		1
19	GB5782-M20x75	Hexagon Head Bolt	M20x75	3
20	C6266C02125	Fork		1
20A	C6266C02721	Control Shaft		1
21	GB118-8x40	Pin	8x40 mm	1
21A	GB6172-M8	Hex Nut	M8	1
22	GB71-M12x30	Slotted Set Screw	M12x30	1
23	Q81-1-1.6x8x70	Spring	1.6x8x70 mm	1
24	SB-10MM	Steel Ball	10 mm	1
25	C6140W02105	Bushing		1
26	GB3452.1-38.7x3.55	O-Ring	38.7x3.55 mm	1
27	GB818-M6x8	Cross Head Screw	M6x8	1
28	C6266C02757	Cover		1
29	GB3452.1-26.5x2.65	O-Ring	26.5x2.65 mm	1
30	C6266C02761	Control Shaft		1
31	C6266C02128	Fork		1
32	C6266C02124	Fork		1
33	C6266C02120	Fork		1
34	C6266C02762	Control Shaft		1
35	C6140W02141	Front Cover		1
36	C6140W02711	Screw		3
37	GB5782-M16x80	Hexagon Head Bolt	M16x80	2
38	C6140W02831	Nut		1
40	C6140W02832	Drain Pipe		1
41	C6140W02833	Clamping Plate		1
42	TS-1494052	Hex Cap Screw	M16x60	1
43	C6266C02303	Sign Plate		1
44	C6140W02143	Sliding Block		1
45	GB119-N6x20	Pin	n6x20 mm	1
46	C6140W02129	Rocker		1
47	GB1099-6x22	Woodruff Key	6x22 mm	1
48	C6266C02763	Shaft		1
49	G51-2A-25x2.4	O-Ring	25x2.4 mm	2
50	C6140W02127	Collar		2
51	C6266C02119	Collar		1
52	C6266C02305-23	Headstock Label Panel (for 80" ZH only)		1
	GH26120ZH-52	Headstock Label Panel (for 120" ZH only)		1
53	C6140W02837	Board		1
54	C6140W02836	Oil Distributor		1
55	GB819-M5x10	Cross Recessed Hd Countersunk Screw M5x10		2
56	GB819-M6x14	Cross Recessed Hd Countersunk Screw M6x14		2
57	GB818-M6x8	Cross Recessed Pan Head Screw	M6x8	2

Index No.	Part No.	Description	Size	Qty
58	C6266C02781	Oil Sprayer Assembly		1
59	G92-1A-4	Fitting	4 mm	group of 8
60	G92-1A-8	Fitting	8 mm	1
61	G92-1A-10	Fitting	10 mm	group of 4
62	SFW-02A	Oil Filter		1

6.0 Headstock Assembly II – Exploded View

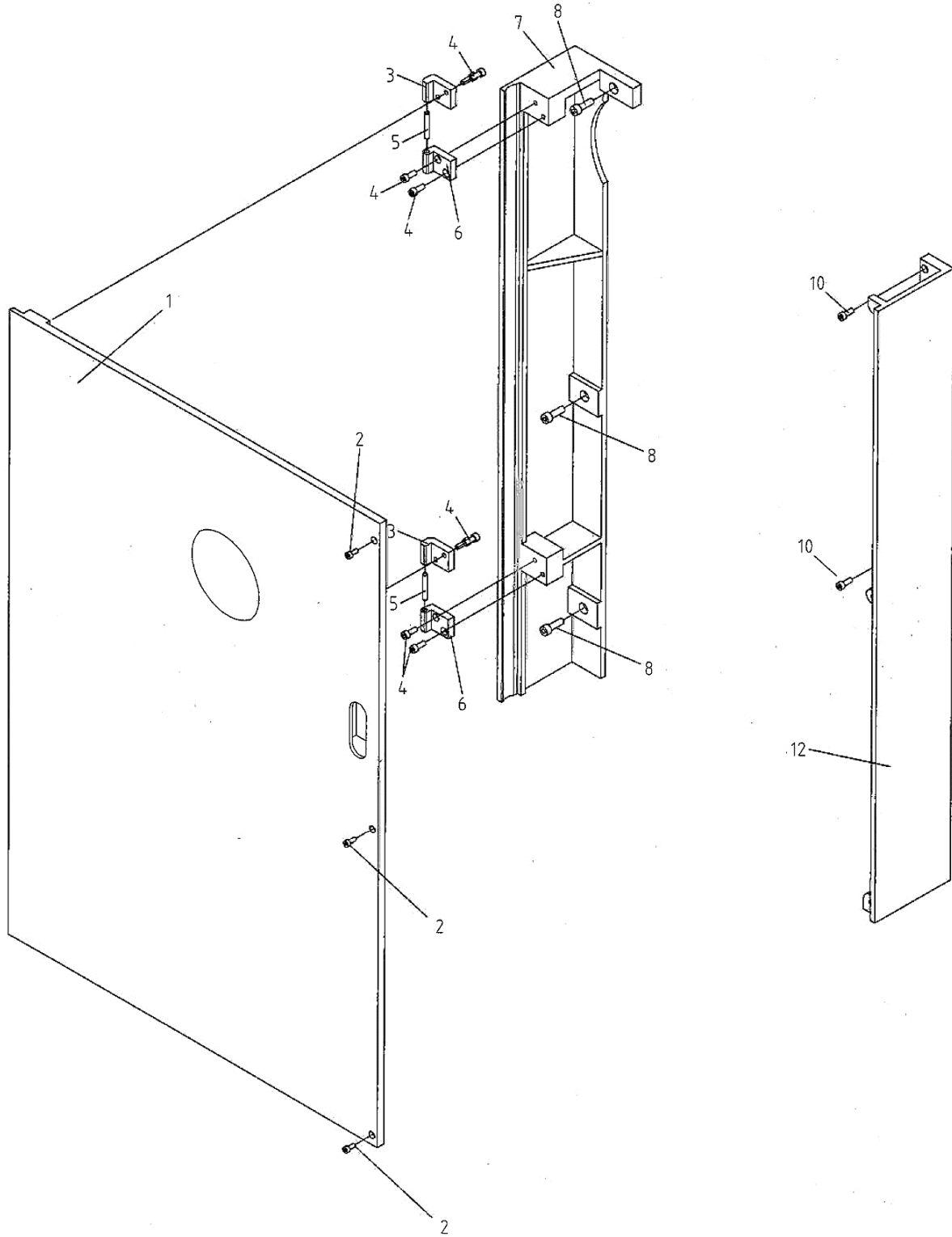


6.1 Headstock Assembly II – Parts List

Index No.	Part No.	Description	Size	Qty
1	C6266CHA01	Chain	12.7 x 58	1
2	GB894.1-16	Circlip for Shaft	16 mm	1
3	C6140W02808	Chain Wheel		2
4	C6266C02751	Gear		1
5	C6266C02780	Sleeve		1
6	GB3452.1-34.5x2.65	O-Ring	34.5x2.65 mm	1
7	GB1096-5x10	Flat Key	5x10 mm	4
8	C6266C02753	Collar		1
9	GB3452.1-25x2.65	O-Ring	25x2.65 mm	2
10	C6266C02752	Shaft		1
11	GB3452.1-17x1.8	O-Ring	17x1.8 mm	3
12	C6266C02756	Positioning Disc		1
13	GB819-M6x14	Cross Recessed Hd Countersunk Screw	M6x14	4
14	C6140W02799	Lever		1
15	C6266C02114	Lever Support		1
16	SB-10MM	Steel Ball	10 mm	3
17	Q81-1-1.6x8x18	Spring	1.6x8x18 mm	3
18	C6266C02754	Positioning Screw		2
19	GB894.1-30	Circlip for Shaft	30 mm	1
20	C6140W02801	Lever		1
21	C6140W02123	Lever Support		1
22	C6140W02821	Washer		2
23	GB819-M5x16	Cross Recessed Hd Countersunk Screw	M5x16	6
24	C6266C02304	Speed Label		1
25	C6140W02813	Pin		3
26	C6266C02775	Connector		1
27	C6266C02121	Rocker		1
28	GB117-6x45	Taper Pin	6x45 mm	1
29	C6140W02812	Roller		2
30	C6140W02119	Sliding Block		3
31	GB119-6n6x14	Pin	6n6x14 mm	3
32	C6266C02122	Fork		1
33	C6266C02765	Axis		1
34	GB117-6x35	Taper Pin	6x35 mm	1
35	C6266C02749	Gear		1
36	C6266C02112	Collar		1
37	GB3452.1-30x2.65	O-Ring	30x2.65 mm	1
38	C6266C02750	Washer		2
39	C6266C02764	Pin		1
40	C6266C02123	Collar		1
41	C6266C02111	Plug		1
42	GB3452.1-20x2.65	O-Ring	20x2.65 mm	1
43	C6266C02760	Shaft		1
44	C6266C02118	Fork		1
45	C6266C02116	Collar		1
46	GB117-6x40	Taper Pin	6x40 mm	1
47	C6266C02117	Rocker		1
48	C6266C02759	Shaft		1
49	GB1099-5x19	Woodruff Key	5x19 mm	2
50	GB3452.1-21.2x2.65	O-Ring	21.2x2.65 mm	1
51	C6266C02758	Positioning Disc		1
52	C6140W02822	Lever		1
53	C6266C02115	Lever Support		1
54	GB73-M12x14	Set Screw	M12x14	1
55	C6266C02774	Bolt		1
56	C6266C02129	Rocker		1
57	TS-1522021	Socket Set Screw	M5x8	1
58	C6266C02773	Screw		1
59	TS-2360121	Flat Washer	12 mm	1

Index No.	Part No.	Description	Size	Qty
60	C6140W02826	Tightening Wheel		1
61	C6140W02825	Pin		1
62	C6266C02771	Shaft		1
63	GB117-5x40	Taper Pin	5x40 mm	1
64	C6266C02127	Rocker		1
65	C6266C02766	Shaft		1
66	C6266C02772	Positioning Disc		1
67	GB3452.1-12.5x1.8	O-Ring	12.5x1.8 mm	1
68	C6266C02126	Collar		1
69	GB894.1-35	Circlip for Shaft	35 mm	1

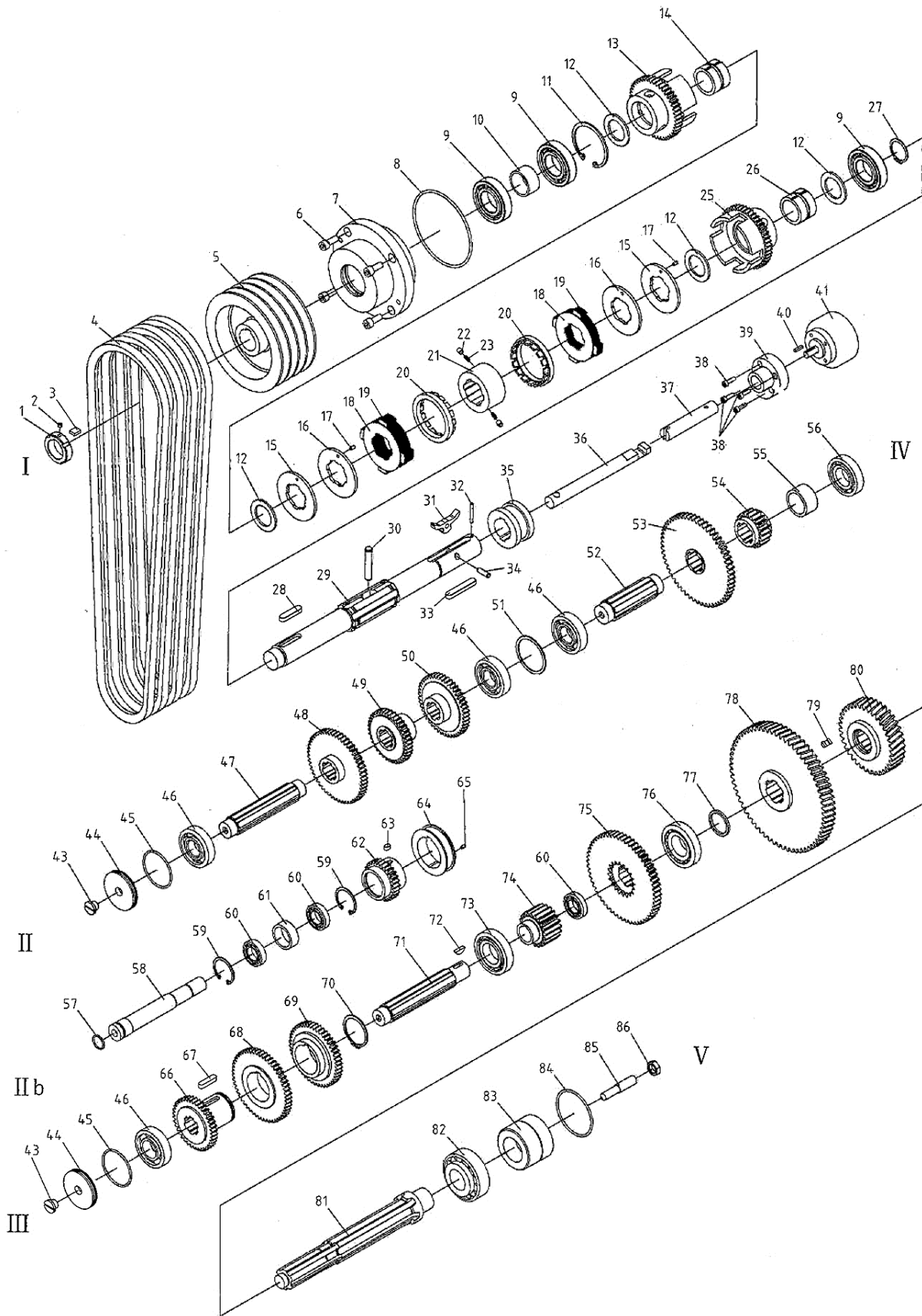
7.0 Headstock Assembly III – Exploded View



7.1 Headstock Assembly III – Parts List

Index No.	Part No.	Description	Size	Qty
1	C6266C08501	Back Cover		1
2	TS-1502031	Hex Socket Cap Screw	M5x12	3
3	C6266C08706	Upper Hinge		2
4	TS-2205201	Hex Socket Cap Screw	5x20 mm	2
5	GB119-6h8x40	Pin	6h8x40 mm	2
6	C6266C08707	Lower Hinge		2
7	C6266C08504	Rear Side Plate		1
8	TS-1503041	Hex Socket Cap Screw	M6x16	8
10	TS-1503031	Hex Socket Cap Screw	M6x14	2
12	C6266C08711A	Lower Front Side Plate		1

8.0 Headstock Assembly IV – Exploded View

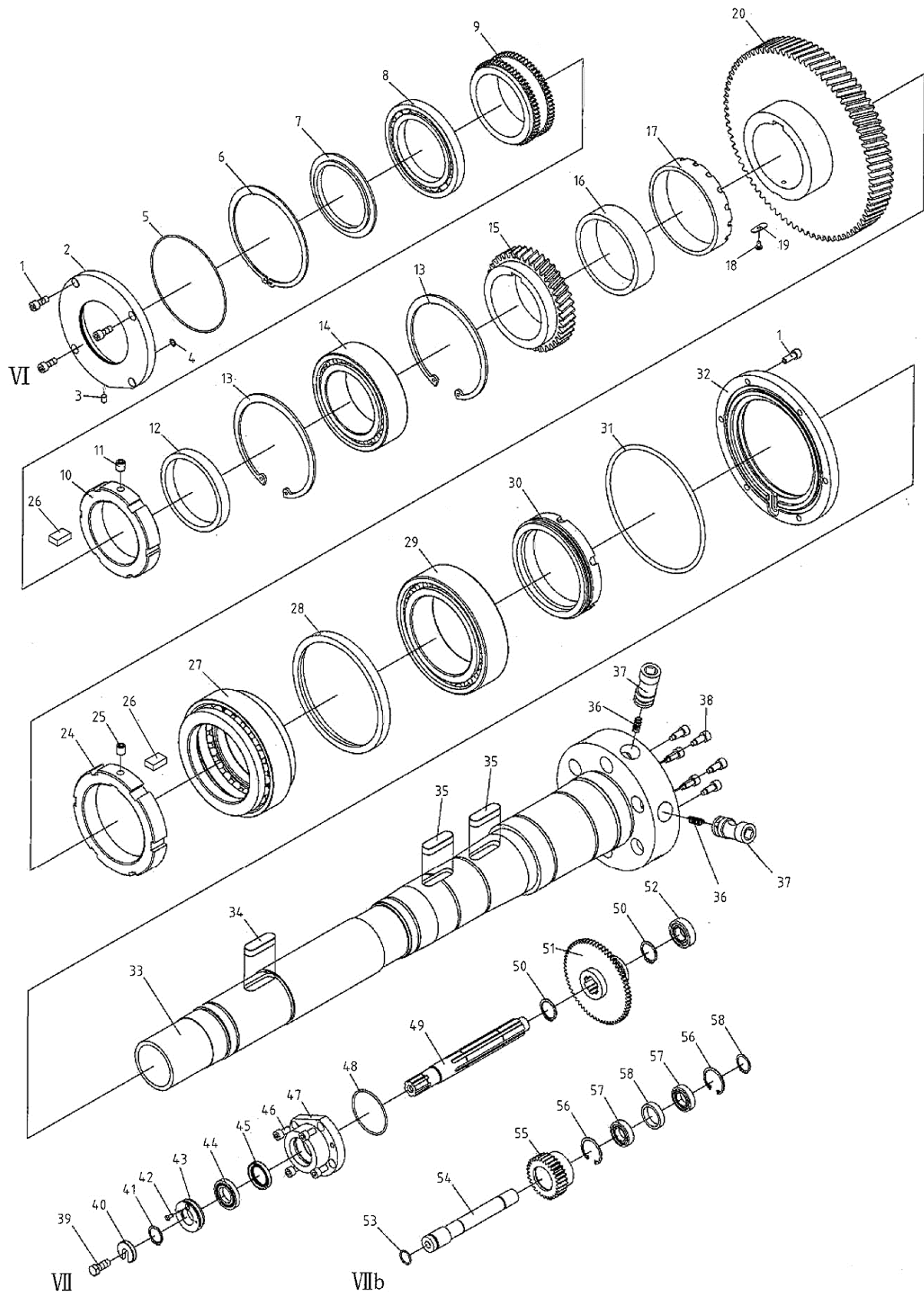


8.1 Headstock Assembly IV – Parts List

Index No.	Part No.	Description	Size	Qty
1	C6140W02752-1/2	Round Nut		1
2	TS-1523011	Hex Socket Set Screw	M6x6	1
3	C6140W02752-2/2	Clamping Piece		1
4	B2464	Belt		4
5	C6266C02107	Pulley		1
6	TS-1505031	Hex Socket Cap Screw	M10x25	4
7	C6266C02105	Bearing Cover		1
8	GB3452.1-125x3.55	O-Ring	125x3.55 mm	1
9	BB-6208	Ball Bearing	6208	3
10	C6266C02106	Spacer		1
11	GB894.1-40	Circlip for Shaft	40 mm	1
12	C6266C02723	Spacer		4
13	C6266C02730	Forward Clutch Housing		1
14	C6266C02302	Collar		1
15	C6140W02748	Pressure Plate		2
16	C6140W02747	Pressure Plate		2
17	GB119-5x10	Pin	5x10 mm	2
18	C6140W02746	Inner Friction Disc		13
19	C6140W02745	Outer Friction Disc		11
20	C6140W02741	Adjusting Nut		2
21	C6266C02727	Spline Sleeve		1
22	C6140W02744	Stop Pin		2
23	Q81-1-0.8x5x16	Spring	0.8x5x16	2
25	C6266C02724	Reverse Clutch Housing		1
26	C6266C02301	Collar		1
27	GB894.1-40	Circlip for Shaft	40 mm	1
28	GB1096-12x50	Flat Key	12x50 mm	1
29	C6266C02731	Shaft (I)		1
30	GB119-12x70	Pin	12x70 mm	1
31	C6240W02732	Pressure Piece		1
32	GB119-5x40	Pin	5x40 mm	1
33	GB1096-12x70	Flat Key	12x70 mm	1
34	GB119-8x25	Pin	8x25 mm	1
35	C6140W02733	Sliding Ring		1
36	C6266C02728	Shaft		1
37	C6266C02722	Shaft		1
38	TS-1503051	Hex Socket Cap Screw	M6x20	3
39	C6140W02106	Pump Support		1
40	GB1096-4x16	Flat Key	4x16 mm	1
41	DB-B4	Bracket		1
43	C6266C02740	Bolt		2
44	C6266C02736	Cover		2
45	GB3452.1-65x3.55	O-Ring	65x3.55 mm	2
46	BB-6306	Ball Bearing	6306	3
47	C6266C02735	Shaft (II)		1
48	C6266C02734	Gear		1
49	C6266C02733	Gear		1
50	C6266C02732	Gear		1
51	C6266C02737	Circlip		1
52	C6266C02718	Shaft (IV)		1
53	C6266C02720	Gear		1
54	C6266C02719A	Gear		1
55	C6266C02103	Sleeve		1
56	BB-6207	Ball Bearing	6207	2
57	GB3452.1-25x2.65	O-Ring	25x2.65 mm	1
58	C6266C02729	Shaft (IIb)		1
59	GB893.1-47	Circlip	47 mm	2
60	BB-6005	Ball Bearing	6005	2
61	C6266C02104	Sleeve		1

Index No.	Part No.	Description	Size	Qty
62	C6266C02726	Gear		1
63	GB1096-8x12	Flat Key	8x12 mm	1
64	C6266C02725	Brake Wheel		1
65	GB73-M5x8	Slotted Set Screw	M5x8	1
66	C6266C02741	Gear		1
67	GB1096-10x40	Flat Key	10x40 mm	1
68	C6266C02738	Gear		1
69	C6266C02742	Gear		1
70	GB894.1-55	Circlip for Shaft	55 mm	1
71	C6266C02739	Shaft (III)		1
72	GB1099-6x22	Woodruff Key	6x22 mm	1
73	BB-6208	Ball Bearing	6208	1
74	C6266C02717	Gear		1
75	C6266C02716A	Gear		1
76	BB-32208	Bearing	32208	1
77	C6266C02779	Circlip for Shaft		1
78	C6266C02715	Gear		1
79	C6140W02733	Clamping Sleeve		3
80	C6266C02714	Gear		1
81	C6266C02713	Shaft (V)		1
82	32308	Tapered Roller Bearing	32308	1
83	C6140W02103	Shaft Plug (VI)		1
84	GB3452.1-82.5x3.55	O-Ring	82.5x3.55 mm	1
85	C6140W02717	Hex Socket Cap Screw		1
86	GB6173-M16x1.5	Nut	M16x1.5	1

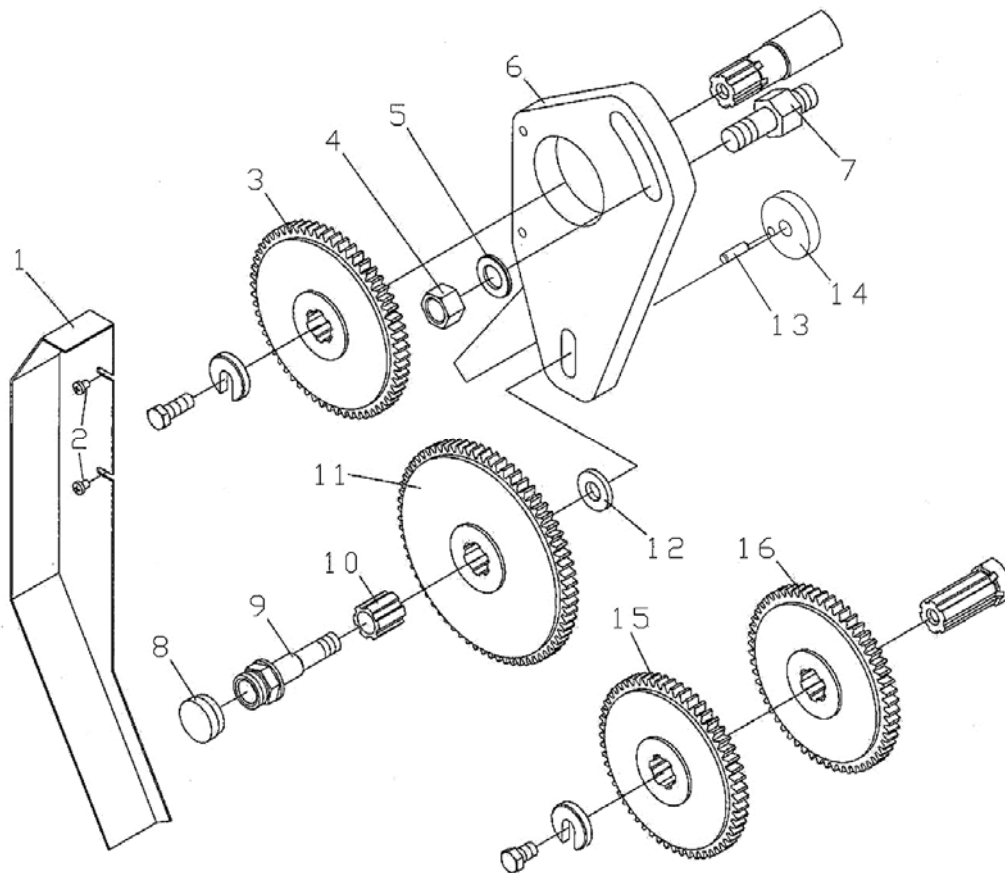
9.0 Headstock Assembly V – Exploded View



9.1 Headstock Assembly V – Parts List

Index No.	Part No.	Description	Size	Qty
1	TS-1505031	Hex Socket Cap Screw	M10x25	1
2	C6266C02108	Back Flange Cover		1
3	GB119-6x8	Pin	6x8 mm	1
4	G51-2A-12x1.9	O-Ring	12x1.9 mm	4
5	GB3452.1-180x2.65	O-Ring	18x2.65 mm	1
6	GB894.1-120	Circlip for Shaft	120 mm	1
7	C6266C02744	Bearing Back Circlip		1
8	16024	Ball Bearing	16024	1
9	C6266C02743	Double Gear		1
10	C6266C02702	Round Nut		1
11	TS-1526011	Hex Socket Cap Screw	M12x12	3
12	C6266C02703	Circlip		1
13	GB893.1-200	Circlip for Bore	200 mm	2
14	NN3026K	Cylindrical Roller Bearing		1
15	C6266C02704	Gear		1
16	C6266C02705	Thread Sleeve		1
17	C6266C02706	Nut		1
18	GB67-M6x10	Screw	M6x10	1
19	C6140W02715	Fixing Plate		1
20	C6266C02707	Gear		1
24	C6266C02708-1	Round Nut		1
25	TS-1526021	Hex Socket Cap Screw	M12x16	3
26	C6266C02708-2	Pin		3
27	2268930	Bearing		1
28	C6266C02709	Bearing Circlip		1
29	NN3030K	Bearing		1
30	C6266C02710	Round Nut		1
31	GB3452.1-250x5.3	O-Ring	250x5.3 mm	1
32	C6266C02102	Front Flange Cover		1
33	C6266C02701	Spindle		1
34	GB1096-10x40	Flat Key	10x40 mm	1
35	GB1096-10x50	Flat Key	10x50 mm	2
36	Q81-1-1x8x16	Spring	1x8x16	6
37	C6266C02711	Cam		6
38	C6266C02712	Positioning Screw		6
39	TS-1492021	Hex Cap Screw	M12x30	1
40	GB851-12	Split Washer	12 mm	1
41	GB894.1-30	Circlip for Shaft	30 mm	1
42	GB68-M5x12	Slotted Head Screw	M5x12	1
43	C6140W02776	Adjusting Screw		1
44	BB-6006	Ball Bearing	6006	1
45	GB13871-B-35x51x8	Oil Seal	B-35x51x8 mm	1
46	TS-1505021	Hex Cap Screw	M10x20	4
47	C6266C02110	Bearing Cover		1
48	G51-2A-80x3.1	Oil Seal	80x3.1	1
49	C6266C02747	Shaft (VII)		1
50	GB894.1-35	Circlip	35 mm	2
51	C6266C02746	Gear		1
52	BB-6205	Ball Bearing	6205	1
53	GB3452.1-25x2.65	O-Ring	25x2.65 mm	1
54	C6266C02748	Shaft (VIIb)		1
55	C6266C02745	Gear		1
56	GB893.1-47	Circlip for Bore	47 mm	2
57	BB-6005	Ball Bearing	6005	2
58	GB894.1-25	Circlip for Shaft	25 mm	1
59	C6266C02109	Sleeve		1

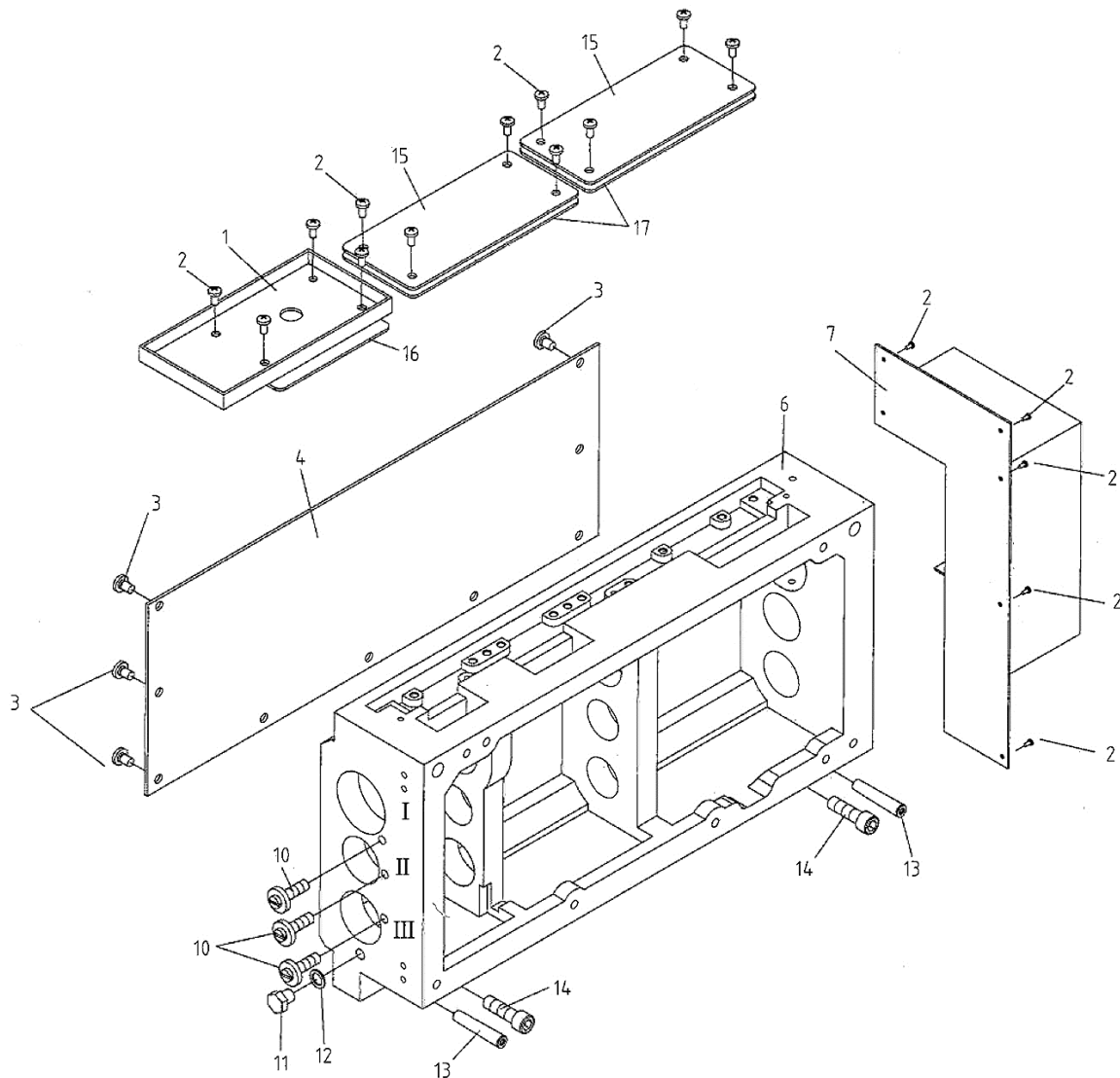
10.0 Gear Assembly – Exploded View



10.1 Gear Assembly – Parts List

Index No.	Part No.	Description	Size	Qty
1	C6266C08708	Splash Guard		1
2	GB818-M6x8	Screw	M6x8	2
3	C6266C08702	Gear (in.)	2m82T	1
4	GB6172-M20	Hex Nut	M20	1
5	GB97.2-20	Washer	20 mm	1
6	C6266C08101	Quadrant		1
7	C6266C02776	Bolt		1
8	C6140W08703	Nut Cover		1
9	C6140W08702	Gear Shaft		1
10	C6140W08301	Spline Sleeve		1
11	C6266C08102	Gear (in.)	2m97T	1
12	C6266C08701	Washer		1
13	GB119-8n6x20	Pin	8n6x20 mm	1
14	C6140W08704	Position Nut		1
15	C6266C08703	Gear (in.)	2m81T	1
16	C6266C08704	Gear (in.)	2m57T	1
16-2	C6266C08716	Gear (in.)	2m69T	1
16-3	C6266C08717-63	Gear (in.)	2m63T	1
16-4	C6266C08717-90	Gear (in.)	2m90T	1
16-5	C6266C08717-78	Gear (in.)	2m78T	1

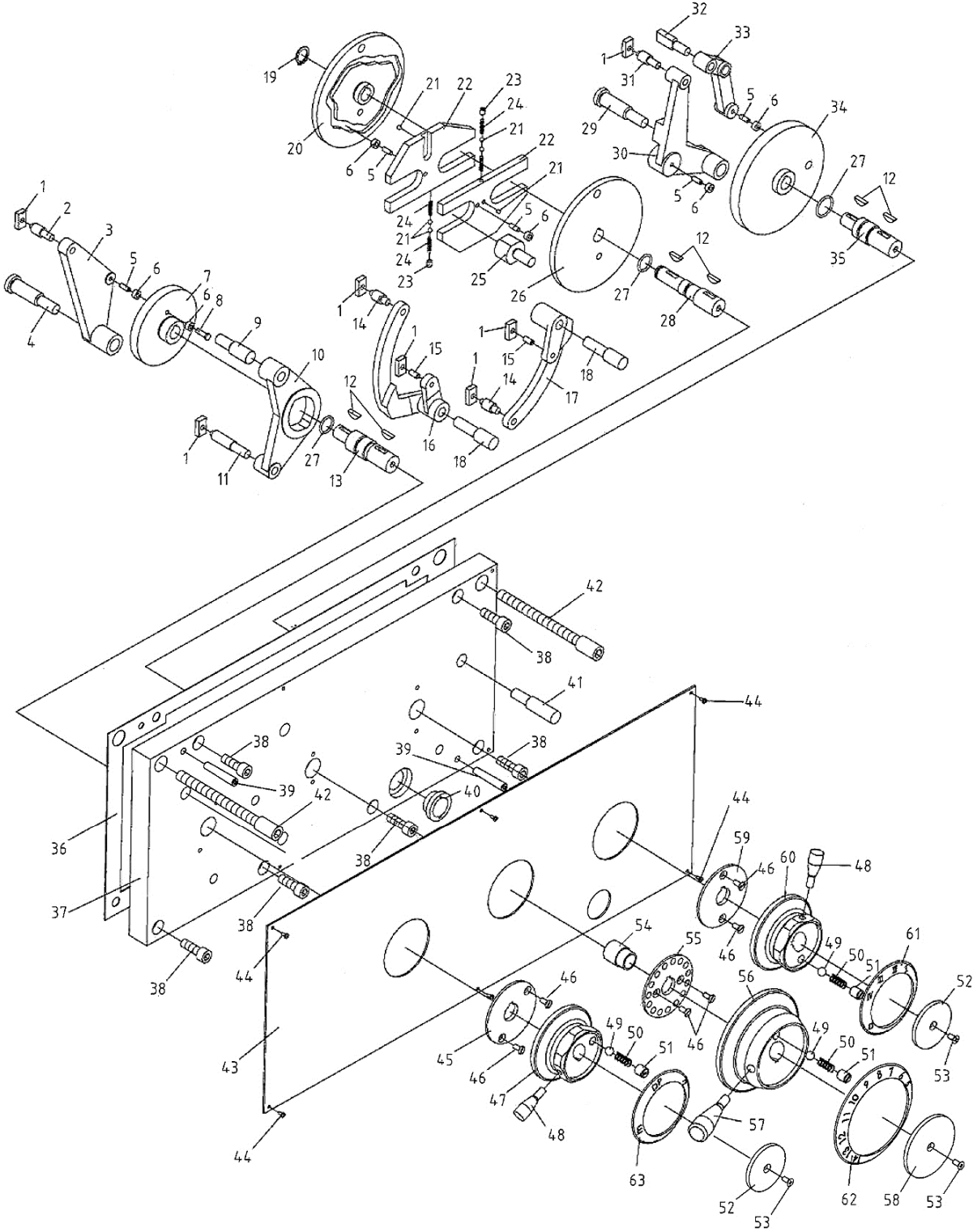
11.0 Gear Box Assembly I – Exploded View



11.1 Gear Box Assembly I – Parts List

Index No.	Part No.	Description	Size	Qty
1	C6140W05504	Upper Cover		1
2	TS-1534032	Cross Recessed Pan Head Screw	M6x10	14
3	TS-1490011	Hex Cap Screw	M8x12	9
4	C6140W05A729	Back Cover		1
6	C6140W05A101	Feed Box Casting		1
7	C6266C05765J	Side Splash Guard		1
10	C6140W05A728	Bolt with Washer		3
11	G38-2A-M12x1.5	Hex Cap Screw	M12x1.5	1
12	TS-2360121	Washer	12 mm	1
13	GB118-10x50	Taper Pin	10x50 mm	2
14	TS-1506051	Hex Socket Cap Screw	M12x40	2
15	C6266C05768	Panel		2
16	C6266C-05501	Gasket		1
17	C6266C-05502	Gasket		2

12.0 Gear Box Assembly II – Exploded View

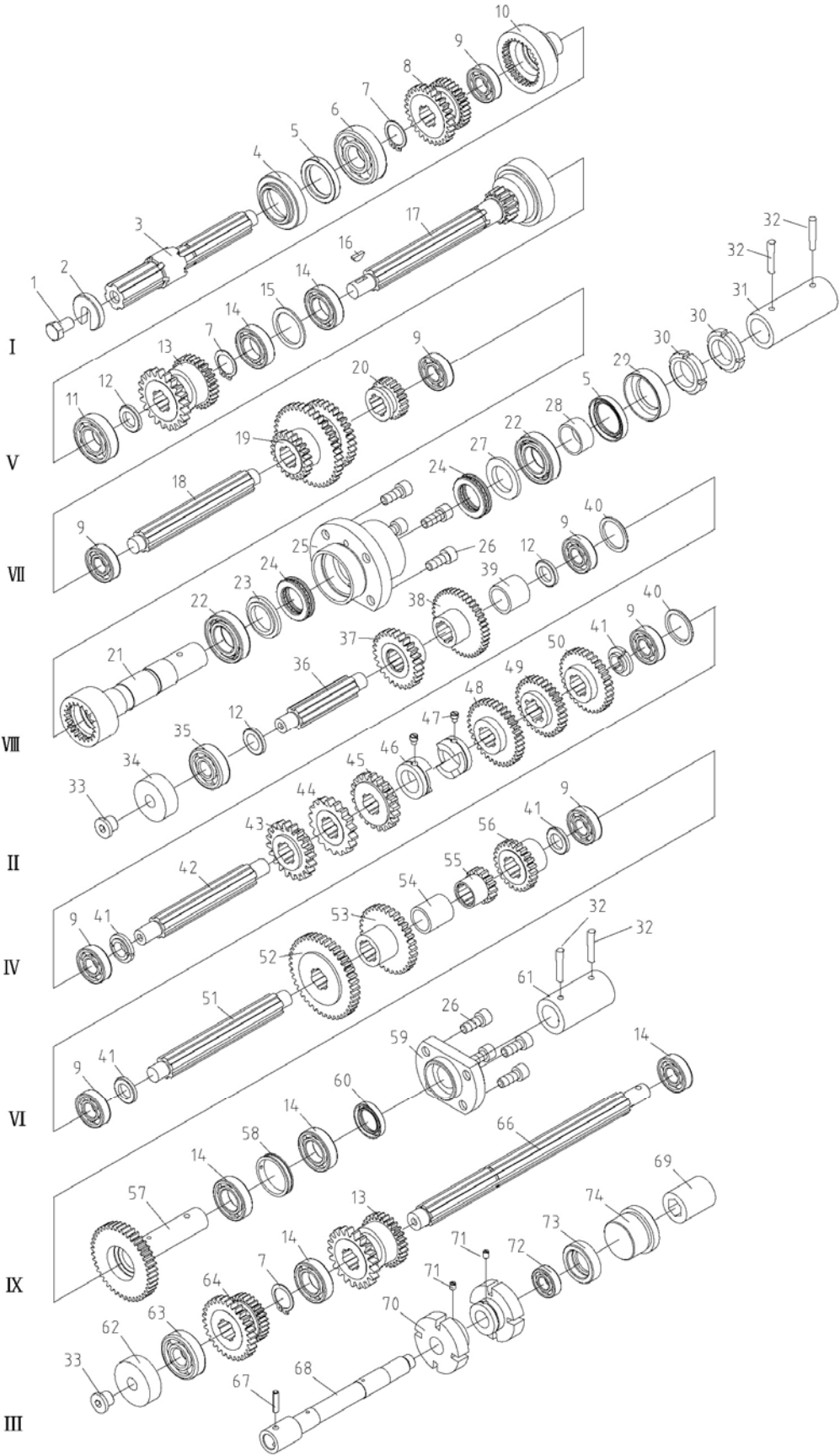


12.1 Gear Box Assembly II – Parts List

Index No.	Part No.	Description	Size	Qty
1	C6140W05109	Sliding Block		7
2	C6140W05A701	Shaft		2
3	C6140W05A105	Ratio Change Rocker		1
4	C6140W05709	Rocker Shaft		2
5	GB119-5x14	Pin	5x14 mm	6
6	C6140W05720	Roller		6
7	C6140W05A708	Cam		1
8	C6140W05A703	Roller Shaft		1
9	C6140W05702	Shaft		1
10	C6140W05A103	Rocker		1
11	C6140W05A710	Shaft		1
12	GB1099-5x19	Woodruff Key	5x19 mm	6
13	C6140W05707	Shaft		1
14	C6140W05A711	Shaft		1
15	GB119-6x14	Pin	6x14 mm	2
16	C6140W05A110	Shaft		1
17	C6140W05A106	Upper Rocker		1
18	C6140W05712	Shaft		2
19	GB894.1-16	Circlip for Shaft	16 mm	1
20	C6140W05A717	Cam		1
21	SB-5MM	Steel Ball	5 mm	6
22	C6140W05A719	Pulley		2
23	TS-1523021	Set Screw	M6x8	2
24	Q81-1-0.6x4x20	Spring	0.6x4x20 mm	4
25	C6140W05A718	Positioning Column		1
26	C6140W05109	Sliding Block		1
27	G51-2A-25x2.4	O-Ring	25x2.4 mm	3
28	C6140W05A716	Handle Axle		1
30	C6140W05A112	Rocker		1
31	C6140W05A721	Shaft		1
32	C6140W05A722	Shaft		1
33	C6140W05A111	Rocker		1
34	C6140W05A725	Cam		1
35	C6140W05A723	Shaft		1
36	C6140W05A501	Gasket		1
37	C6140W05A115	Front Cover		1
38	TS-1505041	Hex Socket Cap Screw	M10x30	6
39	GB118-8x50	Pin	8x50 mm	2
40	C6266CGBA40	Oil Sight Glass		1
41	C6140W05721	Shaft		1
42	C6140W05A727	Hex Socket Cap Screw		1
43	C6266C05301A-7	Gearbox Label Panel		1
44	TS-1531012	Cross Recessed Pan Head Screw	M3x6	6
45	C6140W05A704	Positioning Disc		1
46	GB68-M6x12	Slotted Head Screw	M6x12	6
47	C6140W05A104	Lever Support		1
48	C6140W05705	Lever		2
49	SB-10MM	Steel Ball	10 mm	3
50	Q81-1-1.6x8x28	Spring	1.6x8x28	3
51	GB73-M12x14	Slotted Set Screw	M12x14	3
52	C6140W05706	Disc		2
53	GB819-M5x12	Cross Recessed Head Screw	M5x12	3
54	C6140W05A108	Collar		1
55	C6140W05A713	Positioning Disc		1
56	C6140W05A107	Lever Support		1
57	C6140W05714	Lever		1
58	C6140W05715	Cover		1
59	C6140W05A724	Positioning Disc		1

Index No.	Part No.	Description	Size	Qty
60	C6140W05A113	Lever Support		1
61	C6140W05308	Handle Panel		1
62	C6140W05A307	Handle Panel		1
63	C6140W05306	Handle Panel		1

13.0 Gear Box Assembly III – Exploded View

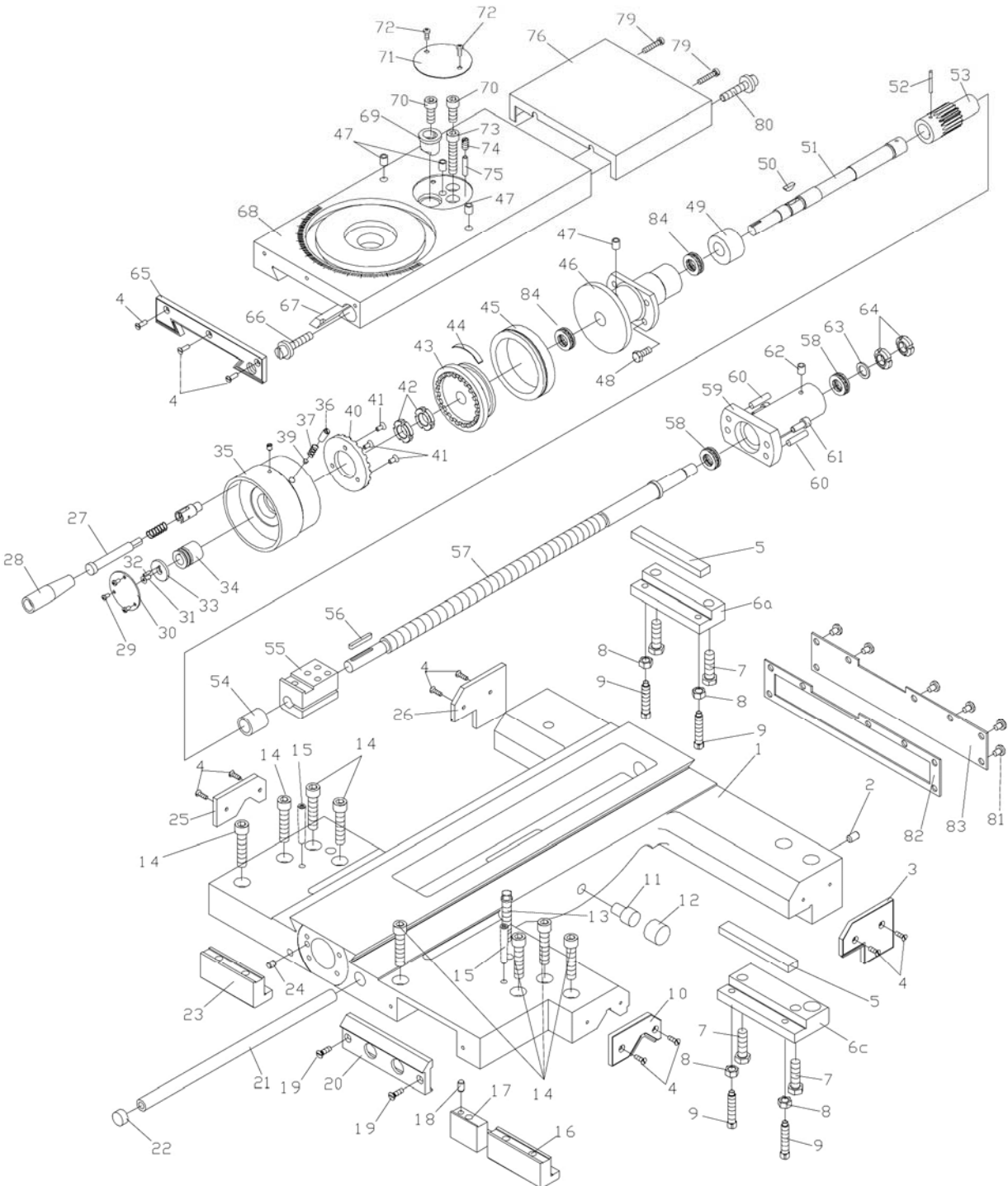


13.1 Gear Box Assembly III – Parts List

Index No.	Part No.	Description	Size	Qty
1	GB5783-M12x20	Hexagon Head Bolt	M12x20	1
2	GB851-A12x40	Split Washer	A12x40	1
3	C6140W05A730	Shaft (I)		1
4	C6266C05772J	Bearing Cover		1
5	G51-1-B35x50x8	Oil Seal	B-35x50x8	2
6	BB-6305	Ball Bearing	25x62x17	1
7	GB894.1-25	Circlip for Shaft	25 mm	3
8	C6140W05731	Double Gear		1
9	BB-6203	Ball Bearing	17x40x12 mm	7
10	C6140W05732	Gear		1
11	BB-6205	Ball Bearing	25x52x15	1
12	C6140W05127	Spacer		3
13	C6140W05733	Double Gear		2
14	BB-6005	Ball Bearing	25x47x12	4
15	C6140W05736	Spacer		2
16	GB1099-4x16	Woodruff Key	4x16 mm	1
17	C6140W05A735	Shaft (V)		1
18	C6140W05A738	Shaft (VII)		1
19	C6140W05737	Triple Gear		1
20	C6140W05739	Gear		1
21	C6140W05743	Shaft (VIII)		1
22	16006	Bearing	30x55x9	2
23	C6140W05740	Spacer		2
24	BB-51106	Thrust Bearing	30x47x11	2
25	C6140W05A117	Flange Sleeve		1
28	C6266C05773J	Sleeve		1
29	C6266C05741J	Bearing Cover		1
30	C6140W05742	Round Nut		2
31	C6140W05119	Shaft		1
32	GB117-6x40	Taper Pin	6x40 mm	4
33	G38-4A-M16x1.5	Plug	M16x1.5	2
34	C6140W05128	Bearing Cover		1
35	BB-6303	Ball Bearing	17x47x14	1
36	C6140W05A762	Shaft (II)		1
37	C6140W05763	Gear		1
38	C6140W05764	Gear		1
39	C6140W05125	Sleeve		1
40	C6140W05751	Sleeve		2
41	C6140W05A752	Adjust Washer		4
42	C6140W05A754	Shaft (IV)		1
43	C6140W05A759	Gear		1
44	C6140W05758	Gear		1
45	C6140W05757	Gear		1
46	C6140W05A734	Positioning Sleeve		2
47	GB75-M8x10	Slotted Set Screw	M8x10	2
48	C6140W05756	Gear		1
49	C6140W05755	Gear		1
50	C6140W05753	Gear		1
52	C6140W05750	Gear		1
53	C6140W05A748	Gear		1
54	C6140W05A124	Sleeve		1
55	C6140W05747	Gear		1
56	C6140W05746	Gear		1
57	C6140W05745	Shaft (IX)		1
58	C6140W05A744	Sleeve		1
59	C6266C05121W	Flange Sleeve		1
60	G51-1-B-25x40x7	Oil Seal	B-25x40x7 mm	1
61	C6140W05120	Shaft Connector		1
62	C6140W05126	Bearing Cover		1

Index No.	Part No.	Description	Size	Qty
63	BB-6304	Ball Bearing	20x52x15	1
64	C6140W05761	Double Gear		1
66	C6266C05760W	Shaft (III)		1
67	GB879-6x25	Straight Pin	6x25 mm	1
68	C6266C05770W	Shaft		1
69	C6140W05122	Sleeve		1
70	C6266C05130J	Oil Splash Ring		2
71	GB71-M6x10	Slotted Set Screw	M6x10	2
72	BB-6002	Ball Bearing	15x32x9	1
73	C6266C05774J	Sleeve		1
74	C6266C05123J	Sleeve		1

14.0 Saddle and Cross Slide Assembly – Exploded View

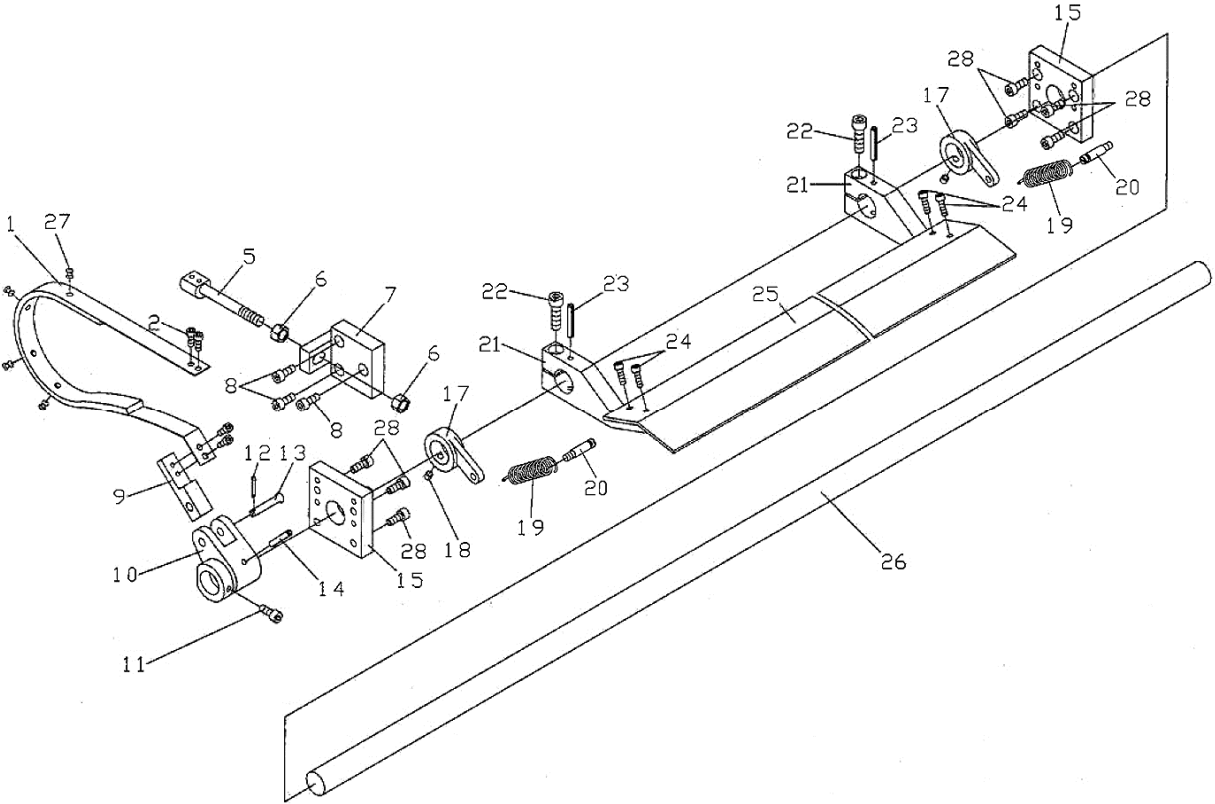


14.1 Saddle and Cross Slide Assembly – Parts List

Index No.	Part No.	Description	Size	Qty
1	C6266C04101A	Saddle		1
2	GB73-M10x16	Slotted Set Screw	M10x16	1
3	C614W04503	Wipe Plate		1
4	GB819-M5x16	Cross Recessed Flat Head Screw	M5x16	8
5	C614W04107	Lining Plate		1
6a	C614W04718	Clamping Plate		1
6c	C614W04720	Clamping Plate		1
7	TS-1506061	Hex Socket Cap Screw	M12x45	4
8	TS-1540081	Hex Nut	M12	4
9	GB85-M10x35	Square Set Screw	M10x35	4
10	C6266C04503	Wipe Plate		1
11	1440R04788	Stop Pin		1
12	1440R04507	Stop Pin Cap		1
13	GB83-M12x70	Square Cap Bolt	M12x70	1
14	GB70-M12x55	Hex Socket Cap Screw	M12x55	8
15	GB119-8x60	Pin	8x60 mm	2
16	C614W04713	Front Clamping Plate		2
17	C614W04712	Locking Plate		1
18	GB119-8n6x20	Pin	8n6x20	1
19	GB68-M6x22	Recessed Countersunk Head Screw	M6x22	2
20	C614W04715	Switch Seat		1
21	C614W04711	Line Pipe		1
22	C614W04106	Plug		1
23	C614W04720	Back Clamping Block		1
24	GB119-8n6x10	Pin	8n6x10	1
25	C6266C04503	Wipe Plate		1
26	C614W04504	Wipe Plate		1
27	C6266C04756T	Lever Shaft		1
28	C6266C04757T	Lever Sleeve		1
29	GB818-M4x8	Cross Recessed Flat Head Screw	M4x8	3
30	C6266C04306	Panel		1
31	GB819-M5x12	Cross Recessed Flat Head Screw	M5x12	1
32	GB119-3n6x10	Pin	3n6x10	1
33	C6266C04725	Cover		1
34	C6266C04724J	Sleeve		1
35	C6266C04754J	Handle		1
36	GB73-M8x10	Slotted Set Screw	M8x10	1
37	Q81-1-0.8x6x12	Spring	0.8x6x12	1
39	C6266C04733	Positioning Pin		1
40	C6266C04720	Connector		1
41	GB819-M5x14	Cross Recessed Flat Head Screw	M5x14	3
42	GB812-M18x1.5	Round Nut	M18x1.5	2
43	C6266C04719	Connector		1
44	C6266C04718	Leaf Spring		1
45	C6266C04735D	Dial (inches)		1
46	C614W04107	Screw Support (serial #101129ZH0005 and lower)		1
	C6266C04107JA	Screw Support (serial #111105ZH0006 and higher)		1
47	GB1155-6	Oil Cup	6 mm	1
48	GB70-M8x45	Hex Socket Cap Screw	M8x45	4
49	C6266C04109J	Sleeve (serial #101129ZH0005 and lower)		1
	C6266C04109	Sleeve (serial #111105ZH0006 and higher)		1
50	GB1099-5x7.5x19	Woodruff Key	5x7.5x19	1
51	C6266C04726J	Shaft		1
52	GB117-4x35	Taper Pin	4x35 mm	1
53	C6266C04705	Shaft		8
54	C6266C04103	Sleeve		1
55	C6266C04304YA	Nut (inch threads)		1
56	GB1096-5x40	Flat Key	5x40 mm	1
57	C6266C04701A	Lead Screw (inch threads)		1

Index No.	Part No.	Description	Size	Qty
58	51103	Thrust Bearing	17x30x9	2
59	C6266C04110	Bracket		1
60	GHB1340-84	Taper Pin	8x40 mm	2
61	TS-1504041	Hex Socket Cap Screw	M8x20	2
62	GB1155-6	Oil Cup	6 mm	1
63	C6266C04702	Washer		1
64	GB812-M14x1.5	Round Nut	M14x1.5	2
65	C6266C04501	Wipe Plate		1
66	C6266C04727	Gib Setting Screw		1
67	C6266C04728	Cross Slide Gib		1
68	C6266C04102A	Cross Slide		1
69	C6266C04704	Sleeve		1
70	TS-1505071	Hex Socket Cap Screw	M10x45	2
71	C6140W04714	Cover		1
72	GB818-M5x8	Cross Recessed Pan Head Screw	M5x8	2
73	GB70-M10x75	Hex Socket Cap Screw	M10x75	1
74	GB73-M8x40	Slotted Set Screw	M8x40	1
75	GB119-6x35	Pin	6x35 mm	1
76	C6266C04703	Splash Guard		1
79	GB65-M6x12	Slotted Socket Cap Screw	M6x12	2
80	C6266C04727	Gib Adjusting Screw		1
81	GB818-M6x8	Cross Recessed Pan Head Screw	M6x8	7
82	C6266C04502A	Gasket		1
83	C6266C04729A	Cover		1
84	51104	Bearing (serial #111105ZH0006 and higher)		2

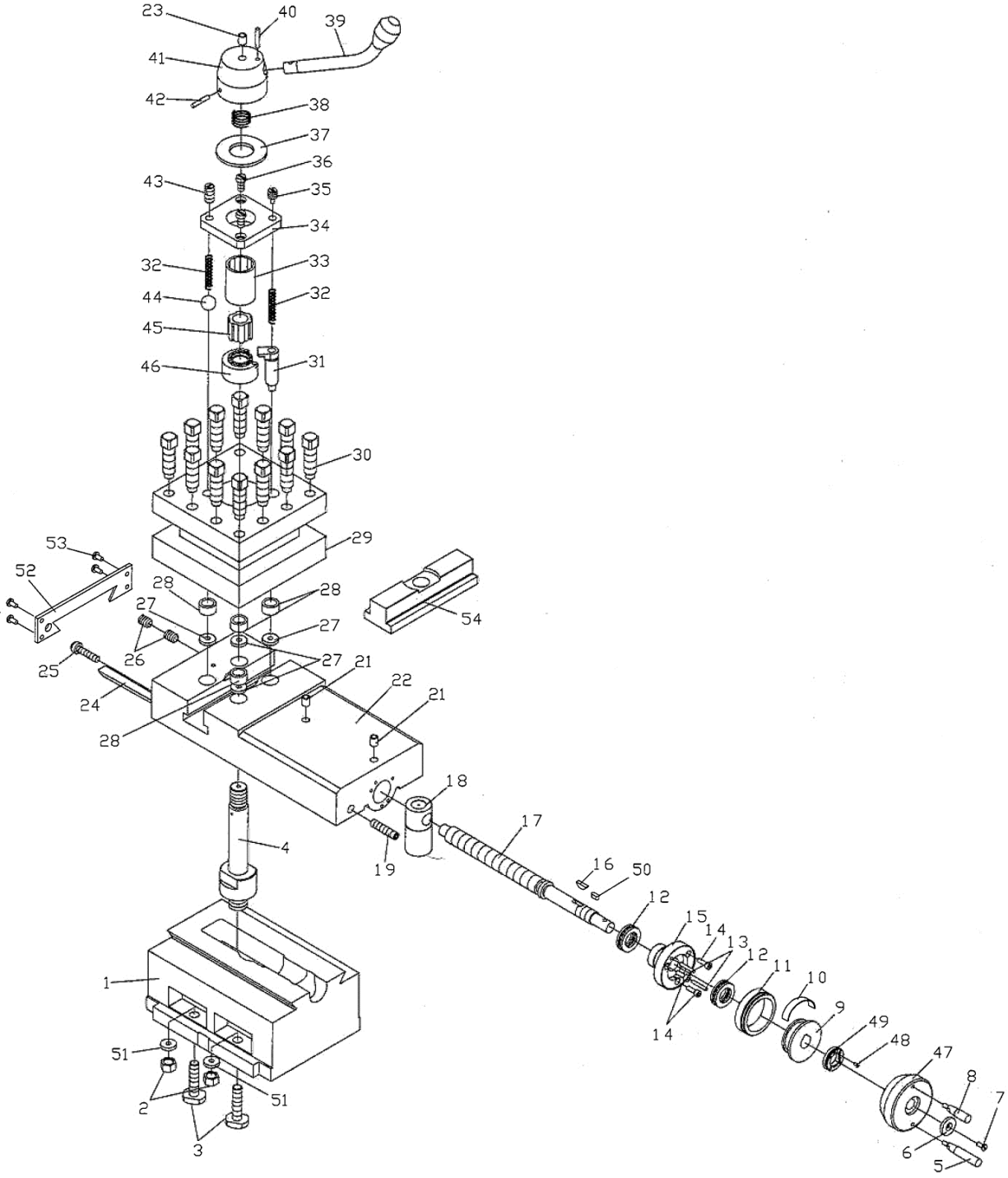
15.0 Brake Assembly – Exploded View



15.1 Brake Assembly – Parts List

Index No.	Part No.	Description	Size	Qty
1	C6266C22705	Brake Belt (includes #27)		1
2	GB70-M6x14	Hex Socket Cap Screw	M6x14	4
5	C6266C22704	Bolt		1
6	TS-2311121	Hex Nut	M12	2
7	C6266C22103	Braking Belt Support		1
8	TS-1504041	Hex Socket Cap Screw	M8x20	3
9	C6266C22706	Brake Block		1
10	C6266C22104	Fork		1
11	TS-1504041	Hex Socket Cap Screw	M8x20	1
12	GB91-3x20	Cotter Pin	3 x 20 mm	1
13	C6266C22707	Clevis Pin		1
14	GB879-6x45	Spring Pin	6x45 mm	1
15	C6266C22101	Support (for 80" Lathe)		2
	C6266C22101	Support (for 120" Lathe)		4
17	C6266C22102	Brake Support (for 80" Lathe)		2
	C6266C22102	Brake Support (for 120" Lathe)		4
18	TS-1524041	Hex Socket Set Screw	M8x8	2
	TS-1524041	Hex Socket Set Screw	M8x84	4
19	Q81-1-2.5X18X80	Spring (for 80" Lathe)	2.5x18x80 mm	2
	Q81-1-2.5X18X80	Spring (for 120" Lathe)	2.5x18x80 mm	4
20	C6266C26702	Screw (for 80" Lathe)		2
	C6266C26702	Screw (for 120" Lathe)		4
21	C6266C22105	Brake Support (for 80" Lathe)		3
	C6266C22105	Brake Support (for 120" Lathe)		6
22	TS-1505051	Hex Socket Head Cap Screw	M10x35	3
	TS-1505051	Hex Socket Head Cap Screw	M10x35	6
23	GB879-6x45	Spring Pin (for 80" Lathe)	6x45 mm	3
	GB879-6x45	Spring Pin (for 120" Lathe)	6x45 mm	3
24	TS-1503051	Hex Socket Cap Screw (for 80" Lathe)	M6x20	4
	TS-1503051	Hex Socket Cap Screw (for 120" Lathe)	M6x20	8
25	C6266C22708C	Pedal (for 80" Lathe only)		1
	C6266C22708D	Pedal (for 120" Lathe only)		2
26	C6266C22703C	Shaft (for 80" Lathe only)		1
	C6266C22703D	Shaft (for 120" Lathe only)		1
27	GB869-M6x10	Rivet	M6x10	4
28	TS-1504041	Hex Socket Cap Screw (for 80" Lathe)	M8x20	8
	TS-1504041	Hex Socket Cap Screw (for 120" Lathe)	M8x20	16

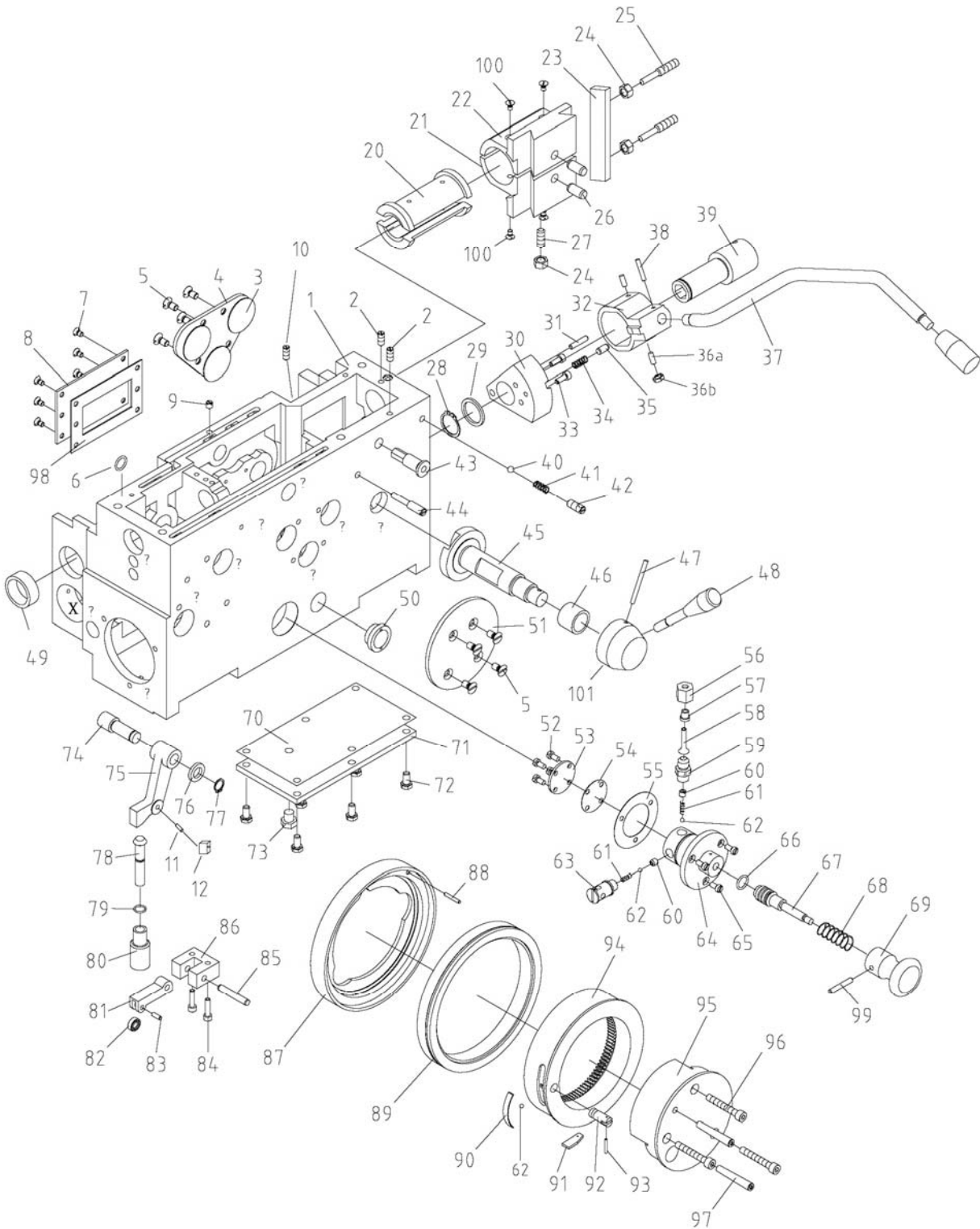
16.0 Tool Post and Compound Rest Assembly – Exploded View



16.1 Tool Post and Compound Rest Assembly – Parts List

Index No.	Part No.	Description	Size	Qty
	GH2680ZH-CCPA	Complete Compound Assembly (includes #1 thru 54)		1
1	C6266C04104	Revolving Plate		1
2	TS-1540081	Hex Nut	M12	4
3	C6266C04706	Compound Screw		4
4	C6266C04707	Shaft (serial #100710ZH0002 and lower)		1
	C6266C04707K-1	Shaft (serial #101129ZH0003 and higher)		1
5	C666C04758J	Handle		2
6	GB891-B25	Circlip	B25	1
7	GB819-M5x12	Cross Recessed Flat Head Screw	M5x12	1
8	C6266C04757J	Handle		1
9	C6140W04110	Dial		1
10	C6140W04739	Leaf Spring		1
11	C6266C04736A	Dial (inches)		1
12	BB-51104	Thrust Bearing	20x35x10	a2
13	GB117-4x25	Taper Pin	4x25	2
14	CL1640ZX-0221	Hex Socket Cap Screw	M5x14	3
15	C6140W04111A	Bearing		1
16	GB1099-5x7.5x19	Woodruff Key	5x7.5x19	1
17	C6266C04734JA	Lead Screw (inch)		1
18	C6266C04301A	Nut (inch)		1
19	GB77-M12x70	Hex Socket Set Screw	M12x70	1
21	GB1155-10	Oil Cup	10 mm	1
22	C6266C04105	Longitudinal Slide (serial #100710ZH0002 and lower)		1
	C6266C04105K	Longitudinal Slide (serial #101129ZH0003 and higher)		1
23	GB1155-6	Oil Cup	6 mm	3
24	C6266C04717	Slide Gib		1
25	C6266C04716	Adjust Screw		1
26	GB73-M10x20	Slotted Set Screw	M10x20	2
27	C6140W04727	Washer		1
28	C6140W04728	Positioning Sleeve		1
29	C6266C04708J	Tool Post		1
30	GB83-M16x50	Square Cap Bolt	M16x50	12
31	C6266C04715	Positioning Pin		1
32	Q81-1-1.6x8x100	Spring		4
33	C6266C04712	Spline		1
34	C6266C04709	Flange Disc		1
35	C6140W04732	Bolt		1
36	TS-1504031	Hex Socket Cap Screw	M8x16	2
37	C6266C04710	Adjusting Washer		1
38	Q81-1-3x32x55	Spring	3x32x55 mm	1
39	C6266C04711	Handle		1
40	GB119-5n6x32	Pin	5n6x32 mm	1
41	C6266C04106	Lever Support		1
42	GB117-4x40	Taper Pin	4x40 mm	1
43	GB73-M12x14	Slotted Set Screw	M12x14	1
44	SB-19	Steel Ball	19 mm	1
45	C6266C04713	Connector		1
46	C6266C04714	Connector		1
47	C6266C04752JA	Handle Seat (serial #0811ZH0352 and higher)		1
48	GB68-M3x6	Slotted Head Screw (serial #0811ZH0352 and higher)	M3x6	1
49	C6266C04758T	Locking Nut (serial #0811ZH0352 and higher)		1
50	GB1096-5x12	Flat Key (serial #0811ZH0352 and higher)	5x12 mm	1
51	TS-2360121	Flat Washer	12 mm	4
52	C6266C04506	Wipe Plate		1
53	TS-1533052	Cross Recessed Pan Head Screw	M5x16	4
54	C6266C04707K-2	T-Groove Block (serial #101129ZH0003 and higher)		1

17.0 Apron Assembly I – Exploded View

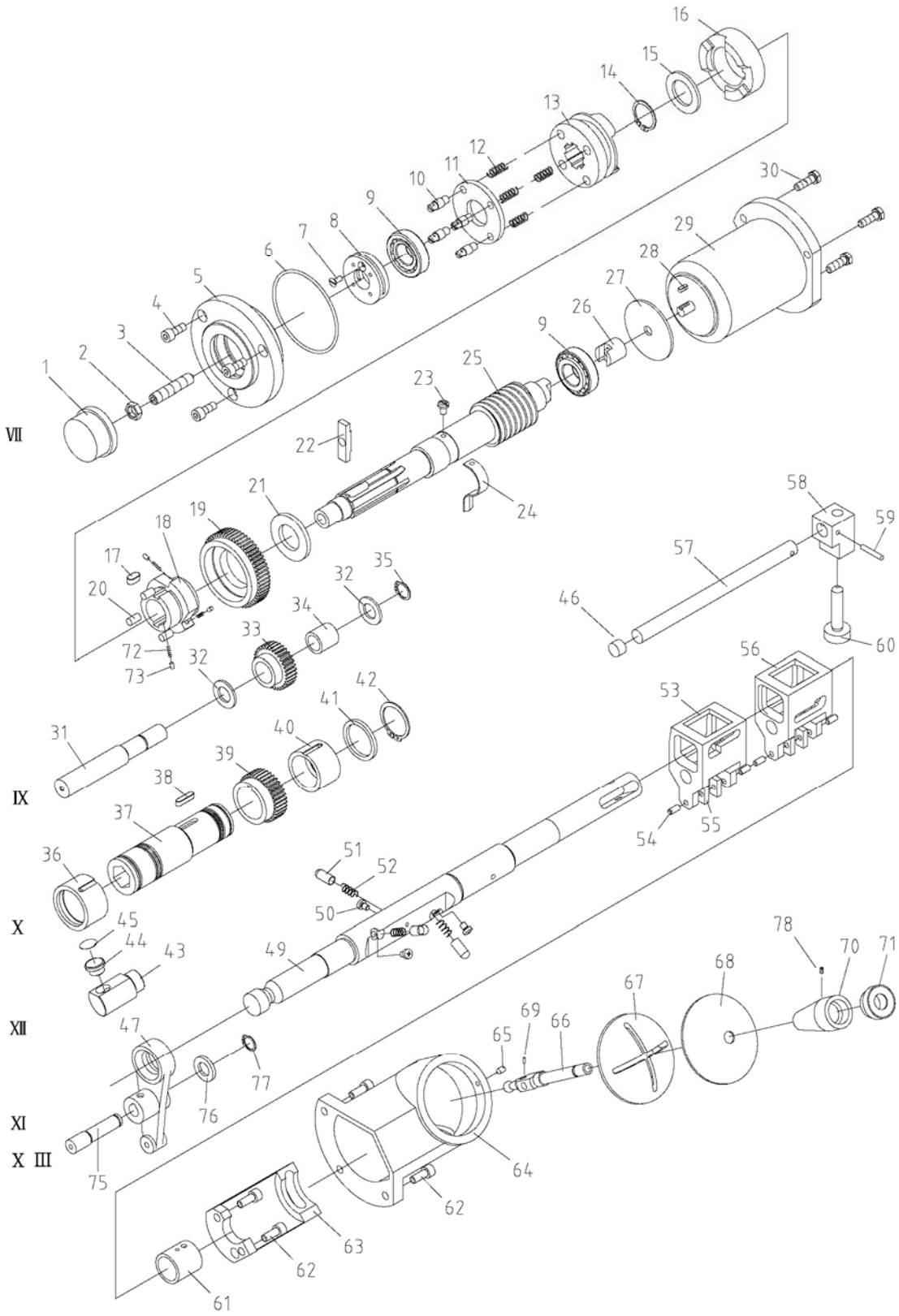


17.1 Apron Assembly I – Parts List

Index No.	Part No.	Description	Size	Qty
1	C6266C06101	Apron Casting		1
2	TS-1524051	Socket Set Screw	M8x20	1
3	C6266C06506	Gasket		3
4	C6140W06750	Back Cover		1
5	GB68-M6x12	Recessed Countersunk Head Screw	M6x12	8
6	GB3452.1-8.75x1.8G	O-Ring	8.75x1.8G	1
7	GB68-M6x10	Recessed Countersunk Head Screw	M6x10	4
8	C6140W06731	Cover		1
9	GB71-M6x10	Slotted Set Screw	M6x10	1
10	C6266C06717	Positioning Screw		1
11	GB1096-6x14	Pin	6x14mm	1
12	C6140W06715	Block		1
20	C6140W06302	Half Nut		1
21	C6140W06107	Upper Nut		1
22	C6140W06108	Lower Nut		1
23	C6140W06759	Gib		1
24	TS-1540071	Hex Nut	M10	2
25	C6140W06758	Cylindrical End Set Screw		1
26	GB119-12x25	Pin	12x25 mm	2
27	GB73-M10x25	Slotted Set Screw	M10x25	1
28	GB894.1-30	Circlip for Shaft	30 mm	1
29	C6140W06755	Washer		1
30	C6266C06105	Positioning Block		1
31	GB117-6x35	Taper Pin	6x35 mm	1
32	C6266C06106	Lever Support		1
33	TS-1503041	Hex Socket Cap Screw	M6x16	2
34	Q81-1-1.2x8x22	Spring	1.2x8x22 mm	1
35	GB119-8x15	Pin	8x15 mm	1
36a	TS-1524051	Hex Socket Set Screw	M8x20	2
36b	GB6172-M8	Hex Nut	M8	2
37	C6266C06711J	Control Handle		1
38	GB117-5x30	Taper Pin	5x30 mm	1
39	C6266C06710	Positioning Sleeve		1
40	SB-10MM	Steel Ball	10 mm	1
41	Q81-1-1.5x8x35	Spring	1.5x8x35 mm	1
42	GB73-M12x14	Slotted Set Screw	M12x14	1
43	C6266C06A780	Positioning Sleeve		1
44	C6140W06716	Bolt		1
45	C6140W06725	Shaft (VII)		1
46	C6140W06303Y	Sleeve		1
47	GB119-5x60	Pin	5x60 mm	1
48	C6140W02799	Handle		1
49	C6266C06104	Sleeve		1
50	M27x1.5	Oil Sight Glass	M27x1.5	1
51	C6140W06760	Front Cover		1
52	GB65-M6x10	Slotted Socket Cap Screw	M6x10	4
53	C6266C06713	Pump Cover		1
54	C6266C06505	Gasket		1
55	C6266C06504	Gasket		1
56	Y91-1A-8	Nut	M8	1
57	C6266C06727	Sleeve		1
58	T3-M	Copper Pipe	Ø6x0.75x450 mm	1
59	C6266C06726	Valve		1
60	C6266C06714	Adjusting Bolt		2
61	Q81-1-0.3x3x12	Spring	0.3x3x12	2
62	SB-5MM	Steel Ball	5 mm	4
63	C6266C06715	Oil Purifier		1
64	C6266C06107	Pump		1
65	GB65-M6x12	Slotted Socket Cap Screw	M6x12	3

Index No.	Part No.	Description	Size	Qty
66	G51-2A-20x2.4	O-Ring	20x2.4 mm	1
67	C6266C06712J	Piston Rod		1
68	Q81-1-1.2x19x70	Spring	1.2x19x70 mm	1
69	1440R4783	Nut		1
70	C6266C06502	Gasket		1
71	C6266C06103	Button Cover		1
72	TS-1504021	Hex Socket Cap Screw	M8x12	6
73	GB38-2-M12x1.5	Drain Plug	M12x1.5	1
74	C6266C06725	Shaft		1
75	C6266C06109	Rocker		1
76	C6266C06724	Washer		1
77	GB894.1-15	Circlip for Shaft	15 mm	1
78	C6266C06721	Rod		1
79	G51-2A-12x1.9	O-Ring	12x1.9 mm	1
80	C6266C06723	Sleeve		1
81	C6266C06722	Block		1
82	BB-606	Bearing	6x17x6 mm	1
83	GB119-6x14	Pin	6x14 mm	1
84	GB75-M5x16	Slotted Socket Set Screw	M5x16	1
85	GB119-8n6x45	Pin	8n6x45	1
86	C6266C06110	Positioning Block		1
87	C6140W06116	Bracket Disc		1
88	GB119-6x25	Pin	6x25 mm	1
89	C6140W06761	Dial		1
90	C6140W06769	Leaf Spring		1
91	C6140W06767	Lock Knob		1
92	C6140W06768	Eccentric Shaft		1
93	GB119-3x12	Pin	3x12 mm	1
94	C6266C06762	Gear (inch)		1
95	C6266C06117	Bracket (inch)		1
96	TS-1504111	Hex Socket Cap Screw	M8x55	3
97	GB119-12n6x40	Pin	12n6x40 mm	1
98	C6266C06501	Gasket		1
99	GB117-4x18	Taper Pin	4x18	1
100	GB68-M6x12	Recessed Countersunk Head Screw	M6x12	4
101	C6140W06109	Handle Seat		1

18.0 Apron Assembly II – Exploded View

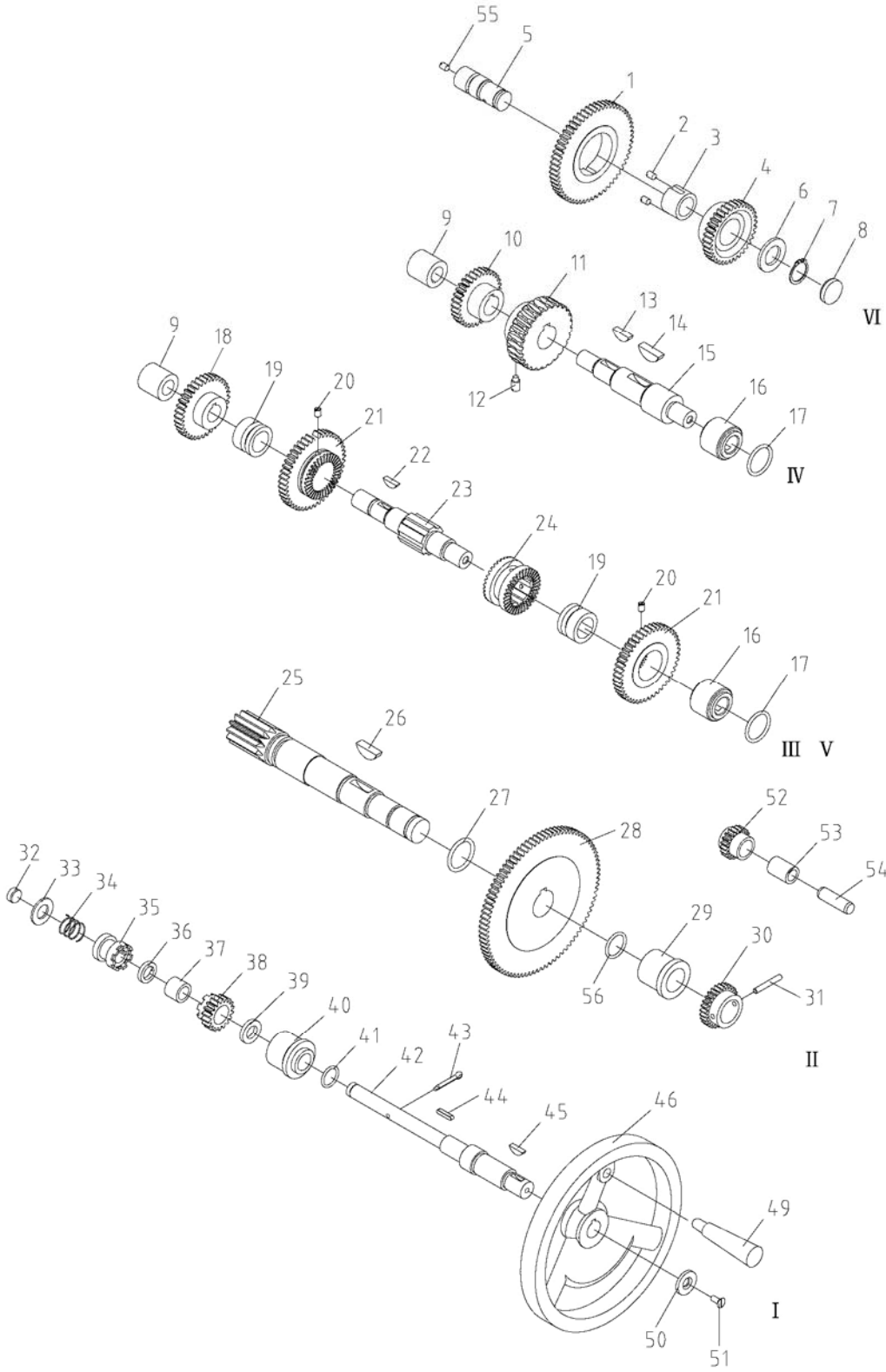


18.1 Apron Assembly II – Parts List

Index No.	Part No.	Description	Size	Qty
1	C6140W06738	Cap		1
2	GB6172-M12	Hex Flat Nut	M12	1
3	GB78-M12x60	Hex Set Screw	M12x60	1
4	TS-1504041	Hex Socket Cap Screw	M8x20	3
5	C6140W06111	Flange		1
6	G51-2A-90x3.1	O-Ring	90x3.1 mm	1
7	GB68-M5x12	Recessed Countersunk Head Screw	M5x12	1
8	C6140W06739	Adjusting Circlip		1
9	30502/P6-25x52x15	Bearing	25x52x15 mm	2
10	C6266C06734	Bolt		4
11	C6140W06740	Washer		1
12	Q81-1-1x10x35	Spring	1x10x35 mm	4
13	C6266C06707	Clutch		1
14	GB894.1-30	Circlip for Shaft	30 mm	1
15	C6266C06708	Washer		1
16	C6266C06706	Clutch		1
17	GB1096-8x16	Flat Key	8x16 mm	1
18	C6140W06708	Star Gear		1
19	C6140W06709	Gear		1
20	C6140W06726	Pin		3
21	C6140W06710	Washer		1
22	C6140W06737	Block		1
23	GB67-M6x10	Slotted Pan Head Screw	M6x10	1
24	C6140W06729	Splash Leaf		1
25	C6266C06709	Worm		1
26	C6140W06728	Motor Connector		1
27	C6266C06503	Washer		1
28	GB1096-4x14	Flat Key	4x14 mm	1
29	YSS5634	Rapid Feed Motor	1/2HP, 230/460V	1
30	TS-1490051	Hex Cap Screw	M8x30	3
31	C6140W06736	Shaft (IX)		1
32	C6140W06735	Washer		2
33	C6140W06734	Gear		1
34	C6140W06306	Sleeve		1
35	GB894.1-16	Circlip for Shaft	16 mm	1
36	C6140W06305	Sleeve		1
37	C6140W06733	Shaft (X)		1
38	GB1096-6x25	Flat Key	6x25 mm	1
39	C6140W06732	Gear		1
40	C6140W06304	Sleeve		1
41	C6140W06730	Washer		1
42	GB894.1-38	Circlip for Shaft	38 mm	1
43	C6266C6704A	Oil Tap Cover		1
44	C6266C06705A	Oil Tap		1
45	C6266C04A311	Label		1
46	C6266C06102	Plug		1
47	C6140W06103	Fork		1
49	C6266C06712	Control Shaft		1
50	GB67-M6x8	Slotted Pan Head Screw	M6x8	3
51	C6140W06701	Pin		3
52	Q81-1-1.6x8x22	Spring	1.6x8x22 mm	3
53	C6140W06713	Fork		1
54	GB119-6n6x14	Pin	6n6x14	6
55	C6140W06715	Sliding Block		6
56	C6140W06714	Right Fork		1
57	C6140W06717	Shaft		1
58	C6140W06104	Interlocking Block		1
59	GB117-5x30	Taper Pin	5x30 mm	1
60	C6140W06718	Shaft		1

Index No.	Part No.	Description	Size	Qty
61	C626C06304	Sleeve		1
62	TS-1504041	Hex Socket Cap Screw	M8x20	5
63	C6140W06719	Bracket		1
64	C6140W06105	Bracket		1
65	GB71-M6x10	Slotted Set Screw	M6x10	1
66	C6140W06722	Handle		1
67	C6140W06106	Cross Cover		1
68	C6140W06501	Washer		1
69	GB6173-M12x1.25	Hex Flat Nut	M12x1.25	1
70	C6140W06721	Handle		1
71	C6140W06720	Washer		1
72	Q81-1-0.3x3x12	Spring	0.3x3x12 mm	3
73	C6140W06727	Pin		3
75	C6140W06704	Shaft (XIII)		1
76	C6140W06705	Washer		1
77	GB894.1-14	Circlip For Shaft	14	1
78	GB71-M5x6	Slotted Set Screw	M5x6	1

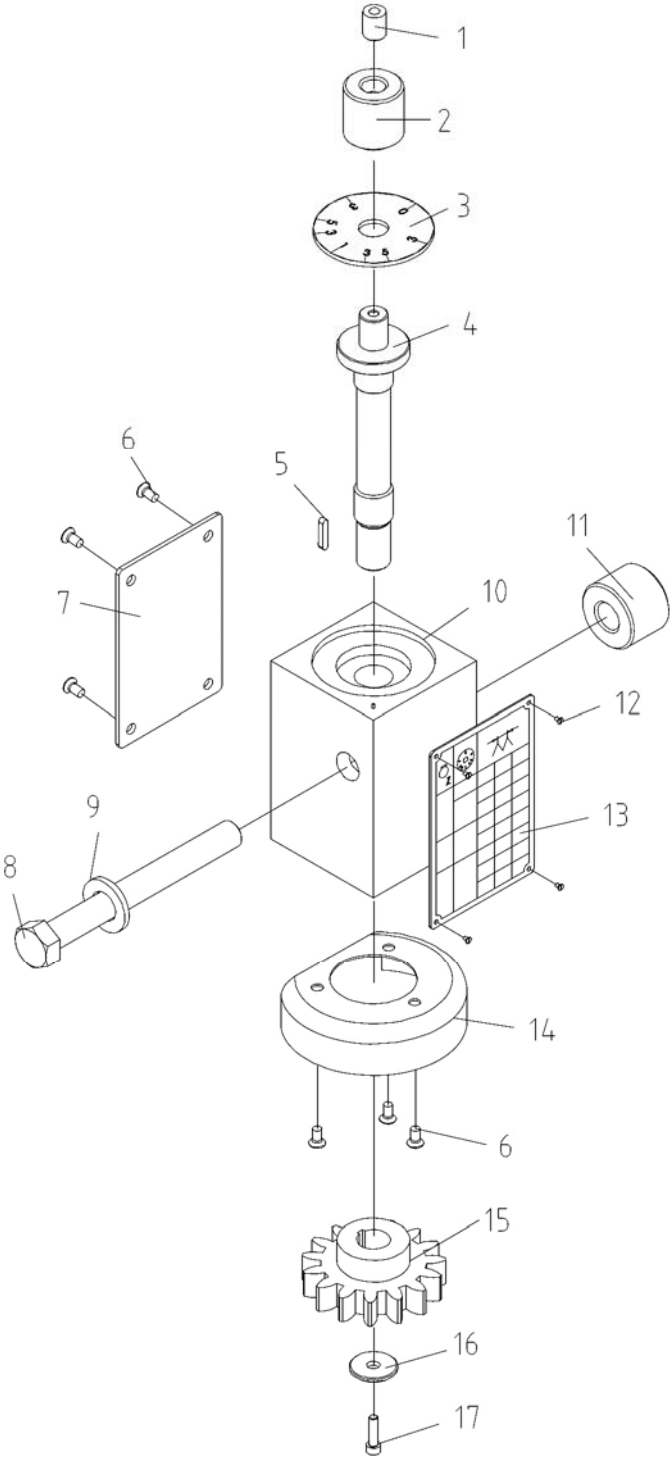
19.0 Apron Assembly III – Exploded View



19.1 Apron Assembly III – Parts List

Index No.	Part No.	Description	Size	Qty
1	C6140W06751	Gear		1
2	GB71-M6x8	Slotted Set Screw	M6x8	2
3	C6140W06309	Sleeve		1
4	C6140W06752	Gear		1
5	C6266C06728	Shaft (VI)		1
6	C6140W06754	Washer		1
7	GB894.1-20	Circlip for Shaft	20 mm	1
8	C6140W06114	Plug		1
9	C6140W06113	Sleeve		3
10	C6140W06749	Gear		1
11	C6140W06308	Worm Wheel		1
12	GB72-M8x16	Slotted Set Screw	M8x16	1
13	GB1099-6x22	Woodruff Key	6x22 mm	1
14	GB1099-8x28	Woodruff Key	8x28 mm	1
15	C6140W06748	Shaft (IV)		1
16	C6140W06115	Sleeve		3
17	G51-2A-35x3.1	O-Ring	35x3.1 mm	3
18	C6140W06746	Gear		2
19	C6140W06307	Sleeve		4
20	GB71-M6x10	Slotted Set Screw	M6x10	4
21	C6140W06744	Gear		4
22	GB1099-5x16	Woodruff Key	5x16 mm	2
23	C6140W06747	Shaft (III)		2
24	C6140W06745	Connector		2
25	C6140W06743	Shaft (II)		1
26	GB1099-8x28	Woodruff Key	8x28 mm	1
27	G51-2A-35x3.1	O-Ring	35x3.1 mm	1
28	C6140W06742	Gear		1
29	C6140W06118	Sleeve		1
30	C6266C06764	Gear (in.)		1
31	ZX-Q66	Taper Pin	5x35 mm	1
32	C6140W06112	Plug		1
33	C6140W06774	Washer		1
34	Q81-1-1.6x18x25	Spring	1.6x18x25 mm	1
35	C6140W06773	Connector		1
36	C6140W06772	Washer		1
37	C6140W06311	Sleeve		1
38	C6140W06771	Gear		1
39	C6140W06770	Washer		1
40	C6140W06120	Sleeve		1
41	G51-2A-18x2.4	O-Ring	18x2.4 mm	1
42	C6140W06775	Shaft (I)		1
43	GB91-4X25	Pin	4X25mm	1
44	GB1096-4x20	Flat Key	4x20 mm	1
45	GB1099-5x16	Woodruff Key	5x16 mm	1
46	C6266C06111	Handwheel		1
49	C6140W06765	Lever Sleeve		1
50	GB891-5x12	Circlip	5x12 mm	1
51	GB68-25	Recessed Countersunk Head Screw	25 mm	1
52	C6266C06763	Gear (in.)		1
53	C6140W06310Y	Sleeve		1
54	GB119-12n6x40	Pin	12n6x40	1
55	GB71-M6x8	Slotted Set Screw	M6x8	1
56	G51-2A-25X2.4	O-Ring	25x2.4 mm	1

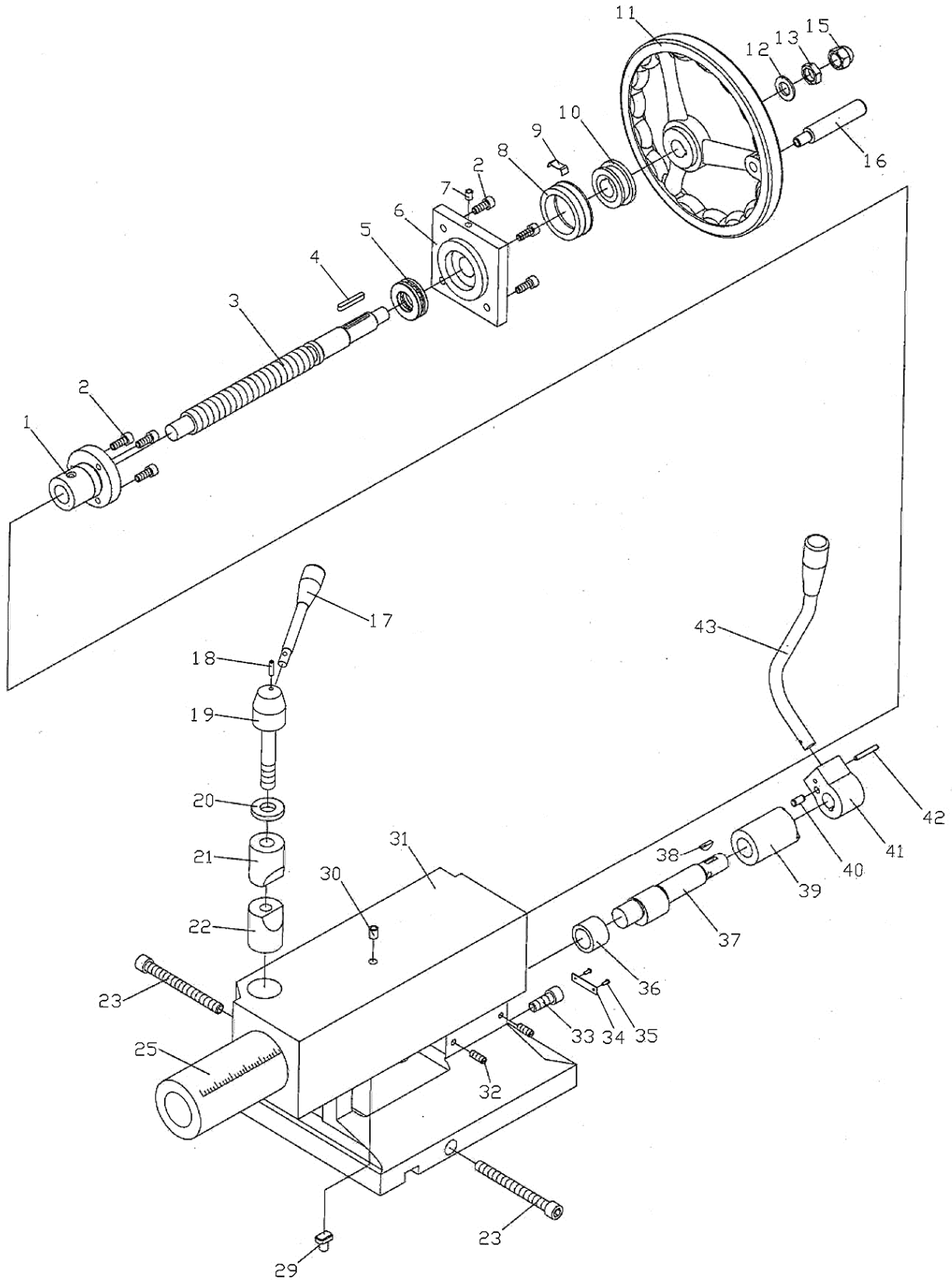
20.0 Apron Assembly IV – Exploded View



20.1 Apron Assembly IV – Parts List

Index No.	Part No.	Description	Size	Qty
1	GB1155-10	Oil Cup	10 mm	1
2	C6266C11703	Handle		1
3	C6266C11305	Label		1
4	C6266C11702	Shaft		1
5	GB1096-4x15	Key	4x15 mm	1
6	TS-2284082	Cross Recessed Pan Head Screw	M4x8	7
7	C6266C11701	Cover		1
8	GB5782- M12x110	Hex Cap Bolt	M12x110 mm	1
9	TS-2360121	Flat Washer	12 mm	1
10	C6266C11101	Casting		1
11	C6266C11705	Sleeve		1
12	GB827-2x5	Aluminum Rivet	2x5 mm	4
13	C6266C11306	Label, Thread Chaser (inches)		1
14	C6266C11704	Cover Casting		1
15	C6266C11104	Helical Gear		1
16	C6266C11706	Washer		1
17	TS-1502021	Hex Socket Cap Screw	M5x10	1

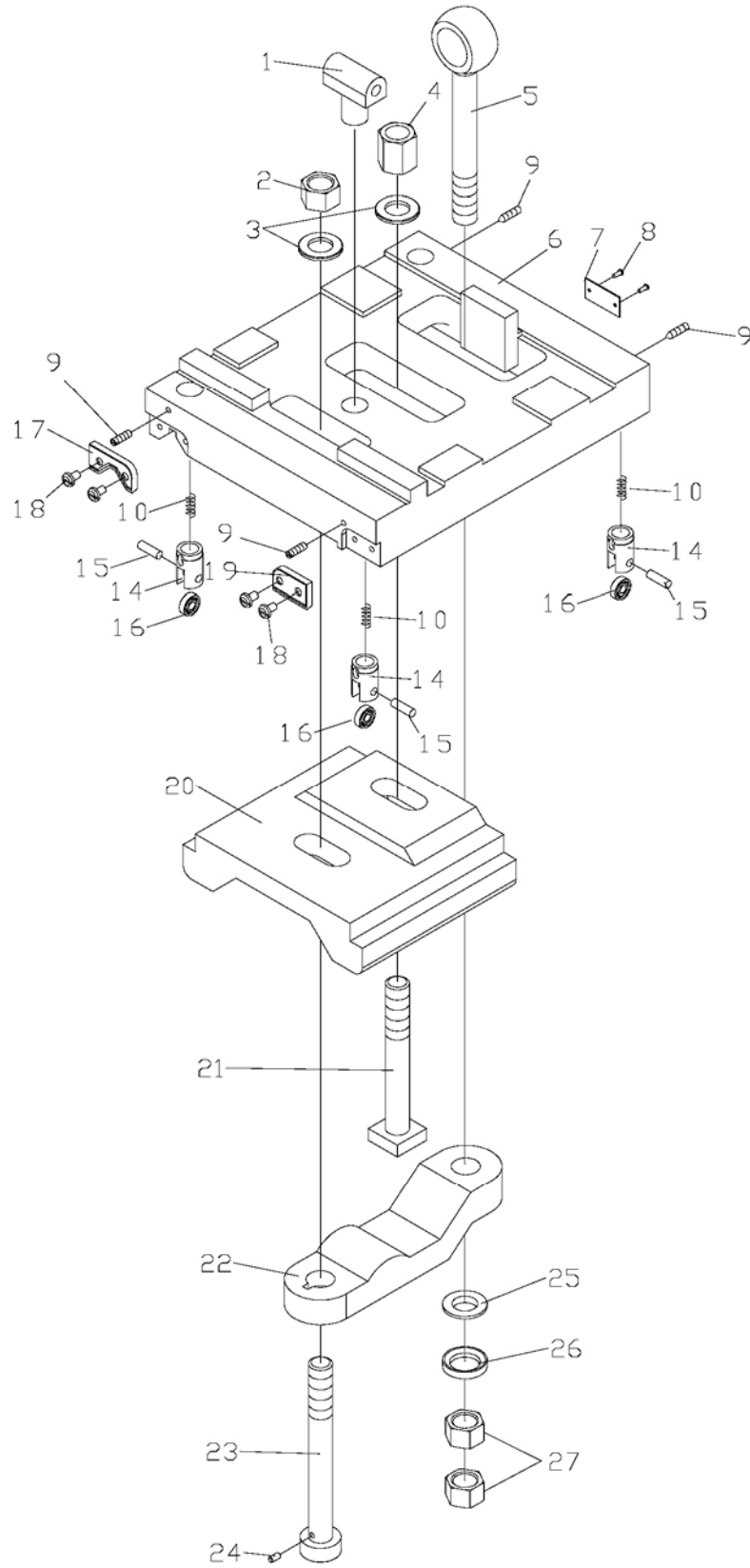
21.0 Tailstock Assembly I – Exploded View



21.1 Tailstock Assembly I – Parts List

Index No.	Part No.	Description	Size	Qty
1	1440R03105	Nut		1
2	TS-1504041	Hex Socket Cap Screw	M8x20	7
3	1860R03710A	Lead Screw		1
4	GB1096-6x40	Flat Key	6x40 mm	1
5	BB-51205	Thrust Bearing	25x47x15 mm	1
6	C6266C03105	Back Cover		1
7	GB1155-8	Oil Cup	8 mm	2
8	1440R03708	Dial		1
9	C613203711	Leaf Spring		1
10	1440R03706	Sleeve		1
11	C6140W03107A	Handwheel		1
12	TS-155010	Flat Washer	16 mm	1
13	GB6172-M16	Hex Flat Nut	M16	1
15	GB923-M16	Acorn Nut	M16	1
16	C613206710A	Lever		1
17	C6140W03710	Lever		1
18	GB117-5x20	Straight Pin	5x20 mm	1
19	C6140W03715	Lever Support		1
20	C6140W03716	Washer		1
21	C6140W03717	Clamping Block		1
22	C6140W03718	Clamping Block		1
23	GB70-M12x120	Hex Socket Cap Screw	M12x120	2
25	1860R03701A	Center Sleeve		1
28	TS-1505011	Hex Socket Cap Screw	M10x16	1
29	1440R03702	Positioning Block		1
30	GB1155-10	Oil Cup	10 mm	1
31	C6266C03101	Tailstock Casting		1
32	GB75-M8x25	Slotted Cylindrical End Set Screw	M8x25	2
33	TS-1506021	Hex Socket Cap Screw	M12x25	1
34	C613203303	Scale		1
35	GB867-3x8	Cup Head Rivet	3x8 mm	4
36	C6140W03103	Sleeve		1
37	C6250B03704	Eccentric Shaft		1
38	GB117-6x45	Taper Pin	6x45 mm	1
39	C6250B03103	Sleeve		1
40	GB119-8x15	Pin	8x15 mm	1
41	C6250B03104	Lever Sleeve		1
42	GB117-5x40	Taper Pin	5x40 mm	1
43	C6250B03705	Lock Handle		1

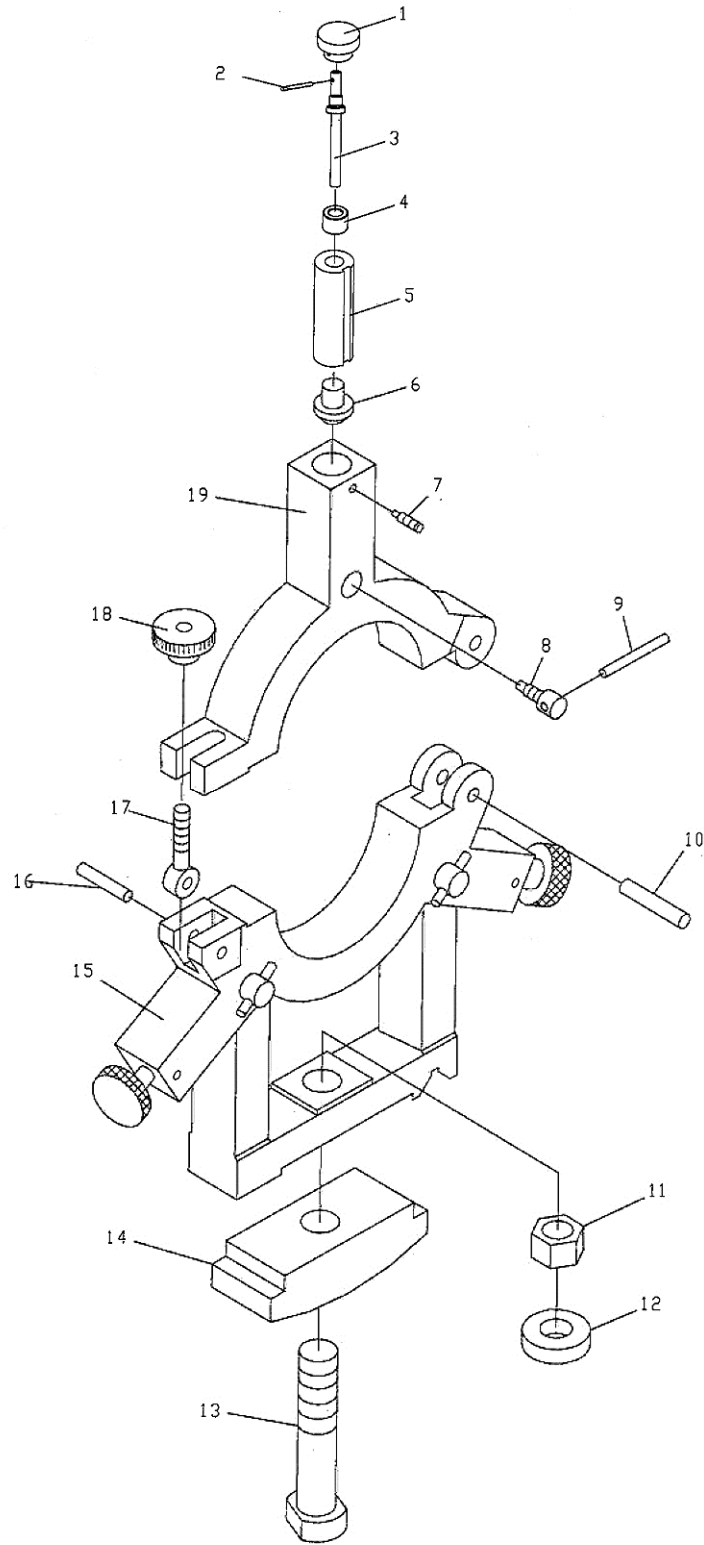
22.0 Tailstock Assembly II – Exploded View



22.1 Tailstock Assembly II – Parts List

Index No.	Part No.	Description	Size	Qty
1	C6140W03110	Nut		1
2	GB6171-M20x1.5	Hex Nut	M20x1.5	1
3	TS-1550111	Flat Washer	20 mm	1
4	GB56-M20	Hex Thick Nut	M20	1
5	C6266C03703	Pulling Rod		1
6	C6266C03102	Sliding Base		1
7	C613203302	Indicator Plate		1
8	GB867-3x8	Cup Head Rivet	3x8 mm	4
9	GB75-M6x16	Slotted Cylindrical End Set Screw	M6x16	4
10	GB2089-1.8x14x18	Spring	1.8x14x18 mm	4
14	C6140W03713	Bearing Support		4
15	C6140W03714	Small Axle		4
16	BB-607ZZ	Ball Bearing	7x19x6 mm	4
17	C6140W03502	Wipe Plate		1
18	TS-1534032	Phillips Pan Head Machine Screw	M6x10	4
19	C6140W03503	Wipe Plate		1
20	C6140W03104	Clamping Block		1
21	C6266C03702	Screw		1
22	C6140W03111	Clamping Block		1
23	C6266C03701	Screw		1
24	GB119-5x10	Straight Pin	5x10 mm	1
25	GB849-20	Spherical Washer	20 mm	1
26	GB850-20	Taper Washer	20 mm	1
27	GB6173-M20x1.5	Hex Nut	M20x1.5	2

23.0 Steady Rest Assembly (Small and Large) – Exploded View



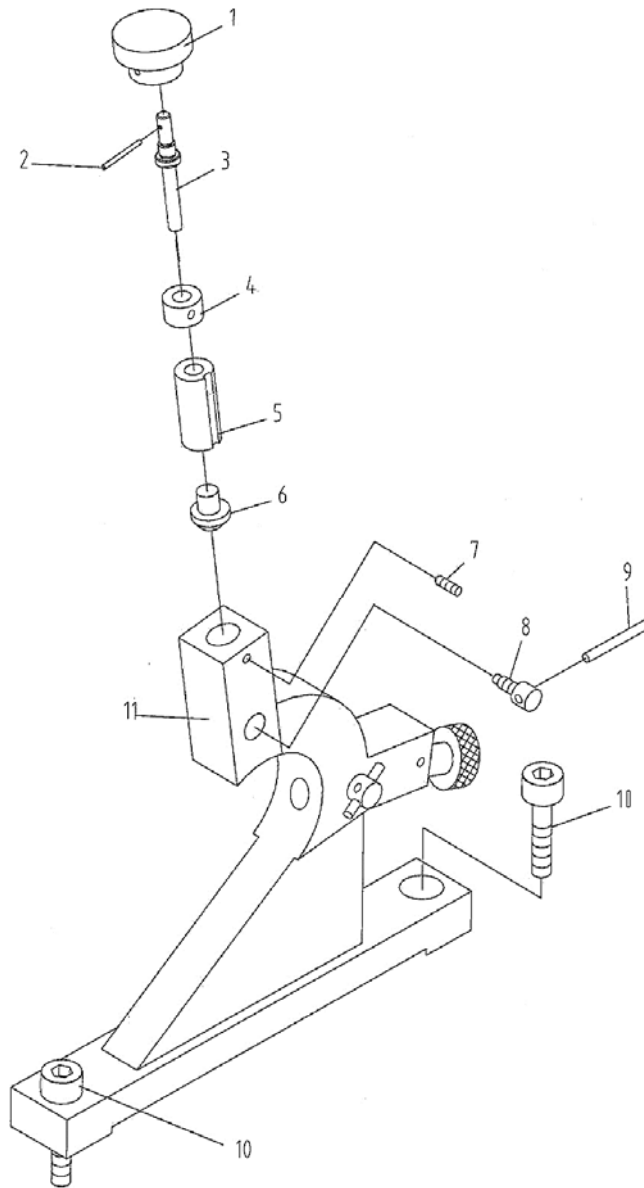
23.1 Steady Rest Assembly (Small) – Parts List

Index No.	Part No.	Description	Size	Qty
	ZH-SRA-1	Steady Rest Assembly, Small (#1 thru 19)		1
1	GB4141.29-12	A-Type Knurled Handle	12 mm	3
2	GB117-4x25	Pin	4x25 mm	3
3	C6140W10702	Screw		3
4	C6140W10703	Nut		3
5	C6140W10705	Sliding Sleeve		3
6	C6140W10301	Block		3
7	GB75-M10x16	Slotted Set Screw	M10x16	3
8	C6140W10704	Set Screw		3
9	GB119-A6x45	Pin	A6x45	3
10	GB119-A16x55	Pin	A16x55	1
11	ZX-SR10	Extra Thick Hex Nut	M20	1
12	ZX-SR11	Washer	20 mm	1
13	C6140W10706	Square Head Bolt		1
14	C6140W10104	Clamping Plate		1
15	C6266C10A101	Steady Rest Lower Body		1
16	GB119-A8x55	Pin	A8x55	1
17	C6140W10701	Screw		1
18	GB4141.29-M12	B-Type Knurled Handle	M12	1
19	C6140W10102	Steady Rest Upper Body		1

23.2 Steady Rest Assembly (Large) – Parts List

Index No.	Part No.	Description	Size	Qty
	ZH-SRA	Steady Rest Assembly, Large (#1 thru 19)		1
1	GB4141.29-12	A-Type Knurled Handle	12 mm	3
2	GB117-4x25	Pin	4x25 mm	3
3	C6266C10702	Screw		3
4	C6266C10701	Nut		3
5	C6266C10703	Sliding Sleeve		3
6	C6266C10301	Block		3
7	GB75-M10x16	Slotted Set Screw	M10x16	3
8	C6140W10704	Set Screw		3
9	GB119-A6x45	Pin	A6x45	3
10	GB119-A16x55	Pin	A16x55	1
11	ZX-SR10	Extra Thick Hex Nut	M20	1
12	ZX-SR11	Washer	20 mm	1
13	C6140W10706	Square Head Bolt		1
14	C6140W10104	Clamping Plate		1
15	C6266C10101	Steady Rest Lower Body		1
16	GB119-A8x55	Pin	A8x55	1
17	C6140W10701	Screw		1
18	GB4141.29-M12	B-Type Knurled Handle	M12	1
19	C6266C10102	Steady Rest Upper Body		1

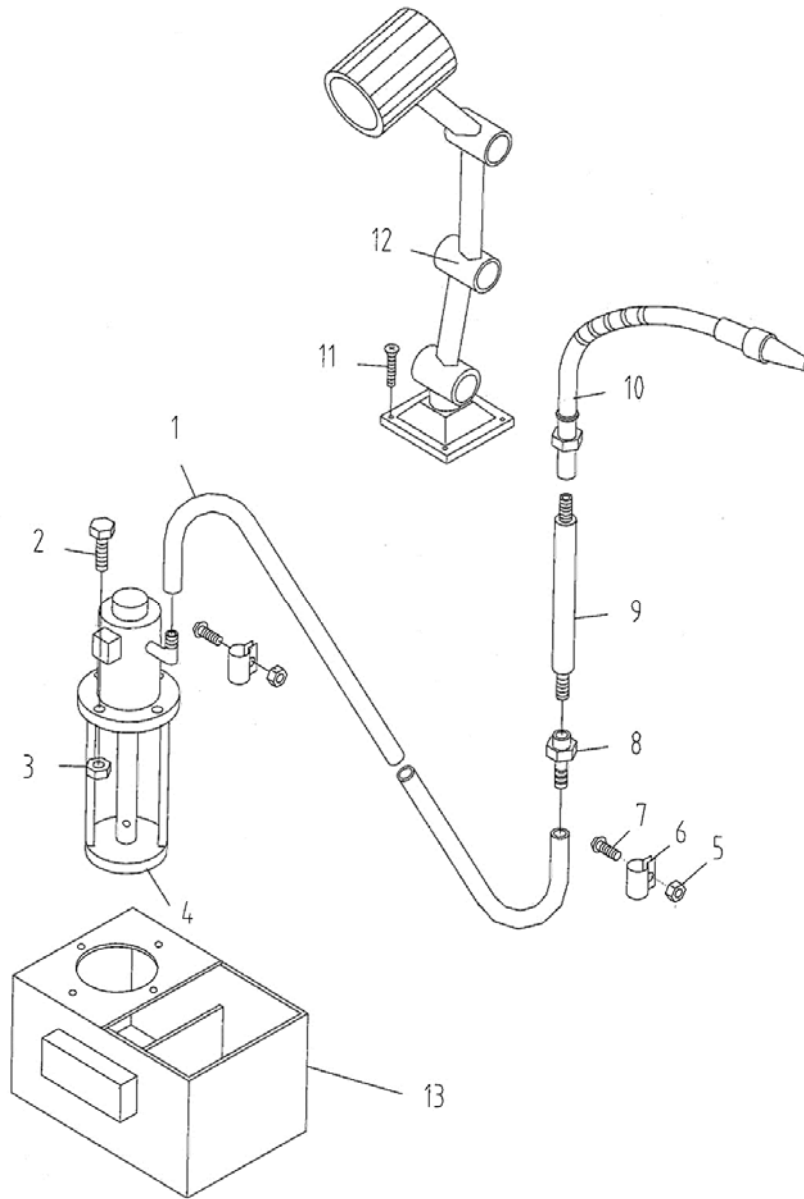
24.0 Follow Rest Assembly – Exploded View



24.1 Follow Rest Assembly – Parts List

Index No.	Part No.	Description	Size	Qty
1	GB4141.29-12	A-Type Knurled Handle	12 mm	2
2	GB117-4x25	Pin	4x25 mm	2
3	C626610705	Screw		2
4	C6266C10704	Nut		2
5	C6266C10706	Sliding Sleeve		2
6	C6266C10302	Block		2
7	GB75-M10x16	Slotted Set Screw	M10x16	2
8	C6140W10704	Set Screw		2
9	GB119-A6x45	Pin	A6x45	2
10	GB70-M16x55	Hex Socket Cap Screw	M16x55	2
11	C6266C10103	Follow Rest Casting		1

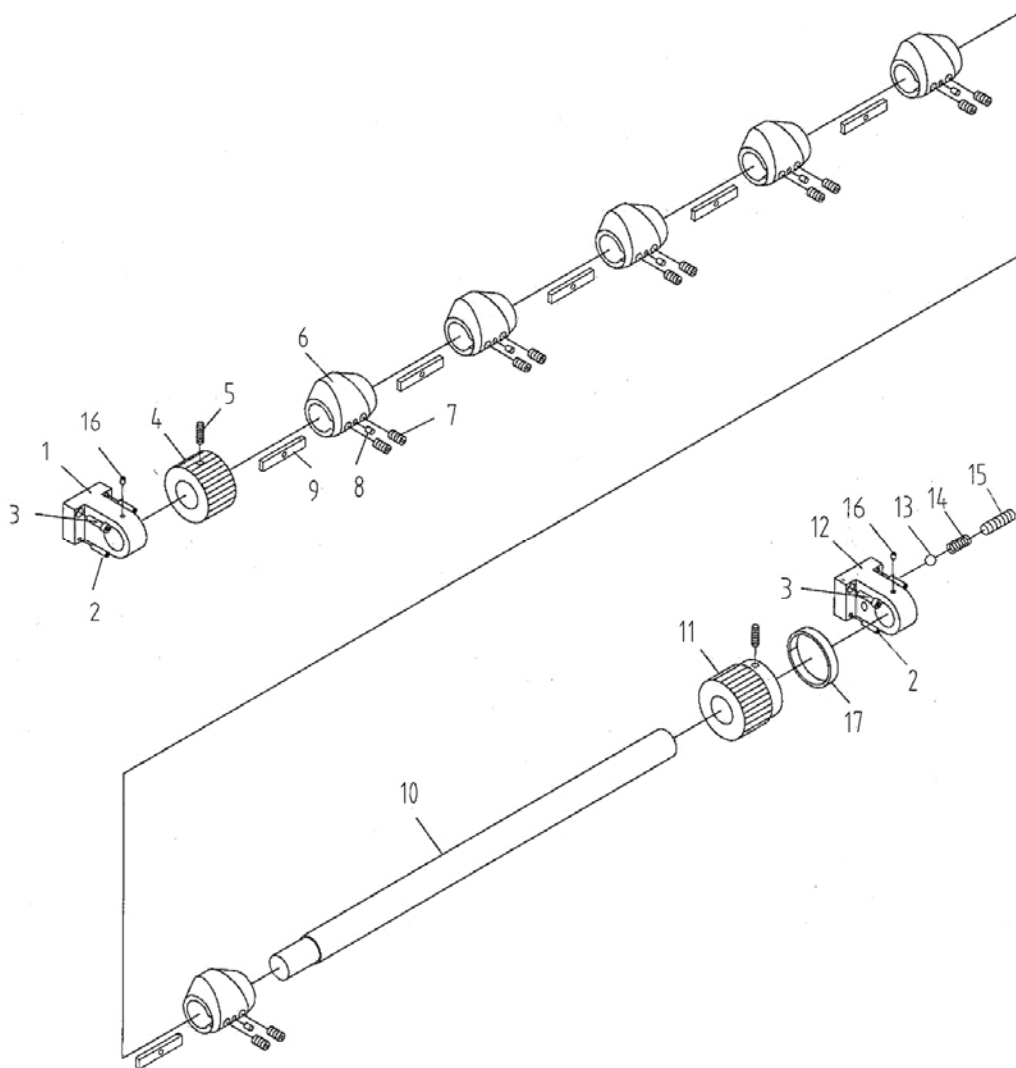
25.0 Coolant and Work Light Assembly – Exploded View



25.1 Coolant and Work Light Assembly – Parts List

Index No.	Part No.	Description	Size	Qty
1	RT-001C	Rubber Tube	ID 1/2" x 2280	1
2	TS-2205201	Hex Cap Screw	M5x20	4
3	ZX-CW03	Hex Nut	M5	4
4	AB-25-1/8HP	Coolant Pump	1/8HP 230/460V	1
5	TS-1540041	Hex Nut	M6	2
6	ZX-01727	Clip for Rubber Tube		1
7	TS-2286202	Phillips Pan Head Machine Screw	M6x20	2
8	C6140W01731	Fitting		1
9	C6140W01730	Flow Pipe		1
10	ZH-CT	Coolant Tube	1/2"x16x700	1
11	TS-1503051	Hex Socket Cap Screw	M6x20	4
12	JC52	Work Lamp	24V, 50W	1
13	ZX01510	Coolant Tank		1

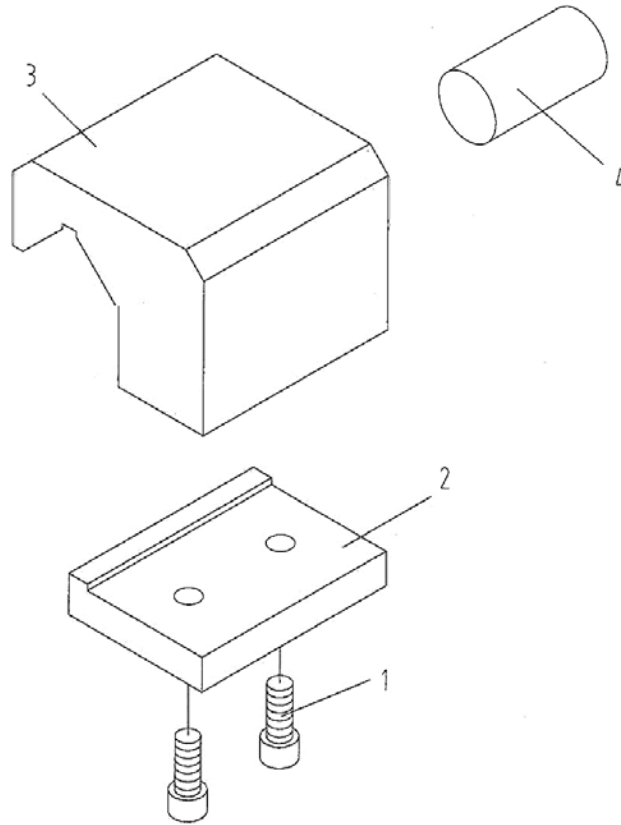
26.0 Travel Stop Assembly – Exploded View



26.1 Travel Stop Assembly – Parts List

Index No.	Part No.	Description	Size	Qty
1	C6266C26A102	Left Support		1
2	GB118-10x40	Pin	10x40 mm	4
3	TS-1504081	Hex Socket Cap Screw	M8x40	4
4	C6266C26A721	Left Control Ring		1
5	GB79-M8x16	Hex Socket Set Screw (Dog Pt.)	M8x16	2
6	C6266C26712	Eccentric Travel Setting Ring		6
7	GB77-M8x8	Hex Socket Set Screw (Cone Pt.)	M8x8	12
8	GB119-4x10	Pin	4x10 mm	6
9	C6266C26713	Locking Key		6
10	C6266C26A707C	Travel Set Rod (for 80" ZH only)		1
	C6266C26A707D	Travel Set Rod (for 120" ZH only)		1
11	C6266C26A720	Right Control Ring		1
12	C6266C26A101	Right Support		1
13	SB-8MM	Steel Ball	8 mm	1
14	GB2089-1.5x8x20	Spring	1.5x8x20 mm	1
15	GB77-M10x20	Hex Socket Set Screw	M10x20	1
16	ZX-CS16	Oil Cup	8 mm	1
17	C6266C26A301	Label, Travel Stop		1

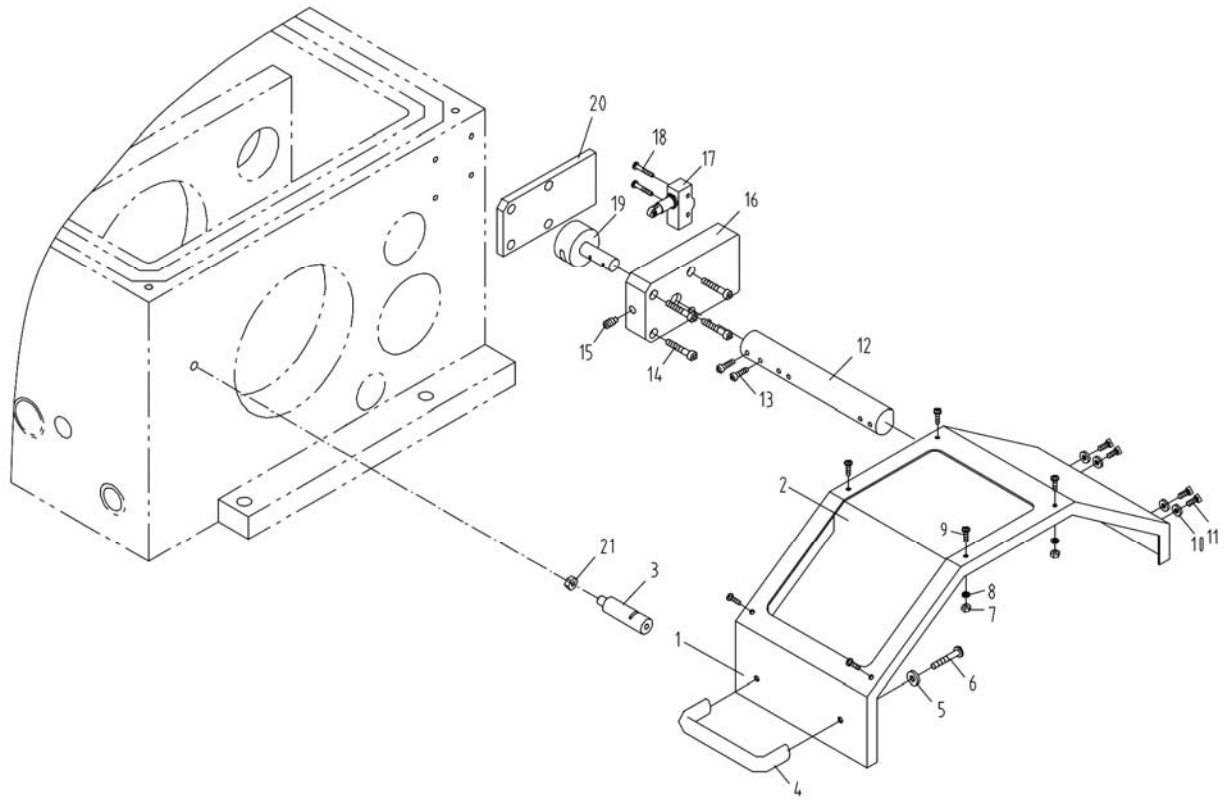
27.0 Small Carriage Stop – Exploded View



27.1 Small Carriage Stop – Parts List

Index No.	Part No.	Description	Size	Qty
1	TS-1492031	Hex Cap Screw	M12x35	2
2	C6266C01112	Clamping Plate		1
3	C6266C01111	Stop		1
4	GB119-12x40	Pin	12x40 mm	1

28.0 Chuck Guard Assembly – Exploded View



28.1 Chuck Guard Assembly – Parts List

Index No.	Part No.	Description	Size	Qty
.....	ZX-CGA.....	Chuck Guard Assembly (includes #1 thru 21)	1
1	GH1640ZX19701	Protection Guard.....	1
2	ZX-19501E	Protection Guard Visual Glass.....	1
3	ZX-19704E	Fixing Rod.....	1
4	ZX-S04E.....	Handle	Z96-6.....	1
5	TS-1550041	Plain Washer	6 mm.....	2
6	TS-1534042	Cross Recessed Pan Head Screw	M6x12.....	2
7	ZX-S07E.....	Hex Thin Nut.....	M4.....	6
8	TS-1550021	Plain Washer	4 mm.....	6
9	TS-1532042	Cross Recessed Pan Head Screw	M4x12.....	6
10	TS-1550031	Plain Washer	5 mm.....	4
11	TS-1502041	Hex Socket Cap Screw.....	M5x16.....	4
12	ZX-19703E.....	Rest Bar.....	1
13	ZX-S13E.....	Slotted Set Screw.....	M8x10.....	2
14	TS-1503081	Hex Socket Cap Screw.....	M6x35.....	4
15	TS-1524041	Hex Socket Set Screw.....	M8x16.....	1
16	GH1440A19101E.....	Switch Box.....	1
17	SQ4E.....	Stroke Switch.....	LXW5-11Q1.....	1
18	ZX-S18E.....	Slotted Pan Head Screw.....	M4x25.....	2
19	ZX-19702E.....	Shaft	1
20	ZX-19502E.....	Gasket	1
21	C6266CCGA21-M8... Nut	M8.....	1

(Note: This device is installed from serial #111105ZH0006)