



BOSCH

Straight Grinders

GGs 30 LS | 3 601 BB5 080

Table of Content

Spare parts list.....	2
Illustration - Type.....	4

Straight Grinders | GGS 30 LS | 3 601 BB5 080

Spare parts list

Item	Part Number	Description
1	1 619 P20 936	Motor Housing
4	1 607 200 31S	Switch
5	1 604 460 245	Power supply cord H05 VV-F CN 2,65m 2 x 0,75mm
6	1 600 703 039	Grommet
7	1 601 302 017	Fastening Clamp
8	1 619 P20 969	Nameplate
9	1 619 P20 970	Manufacturer's nameplate
14	1 619 P13 103	groove ball bearing
16	1 600 A00 RG1	Brush Holder
17	1 604 652 013	Spiral Spring
18	1 619 P11 487	Compression Spring
21	1 619 P20 983	Cap
22	1 619 P20 940	Adjusting Slide
23	1 619 P21 162	Switch Button
26	1 600 206 036	Rubber Ring
27	1 600 206 025	Rubber Ring
28	1 619 P20 958	Intermediate Flange
29	1 619 P20 959	Air-Deflector Ring
33	1 610 210 101	O-Ring 26,0x2,0 MM
36	1 619 P00 987	Washer
37	1 619 P20 962	Damper
38	1 619 P20 960	Coupling Half
39	1 619 P20 961	Coupling Half
40	1 600 119 011	Retaining clip
42	1 619 P20 966	Protection Sleeve
44	1 619 P20 965	Washer
45	1 619 P20 964	Cap Nut
47	2 609 110 052	Special Screw
48	1 619 P00 220	Torx Oval-Head Screw 3x10
50	1 619 P00 105	Torx Oval-Head Screw 4x20
51	1 607 233 5NZ	Speed governor
55	1 619 P09 269	Torx Oval-Head Screw
650/1	1 619 P09 252	Lock nut
650/2	1 619 P10 661	Collet

Spare parts list

Item	Part Number	Description
651	1 619 P21 169	Single-Head Eng. Wrench
802	1 619 P21 344	Field
803	1 619 P21 346	Armature
810	1 619 P21 172	Carbon-Brush Set
825	1 619 P21 173	Housing Cover
831	1 619 P21 349	Spindle Housing
832	1 619 P21 348	Spindle Assembly
840	1 619 P21 354	Push Button

Illustration - Type - E

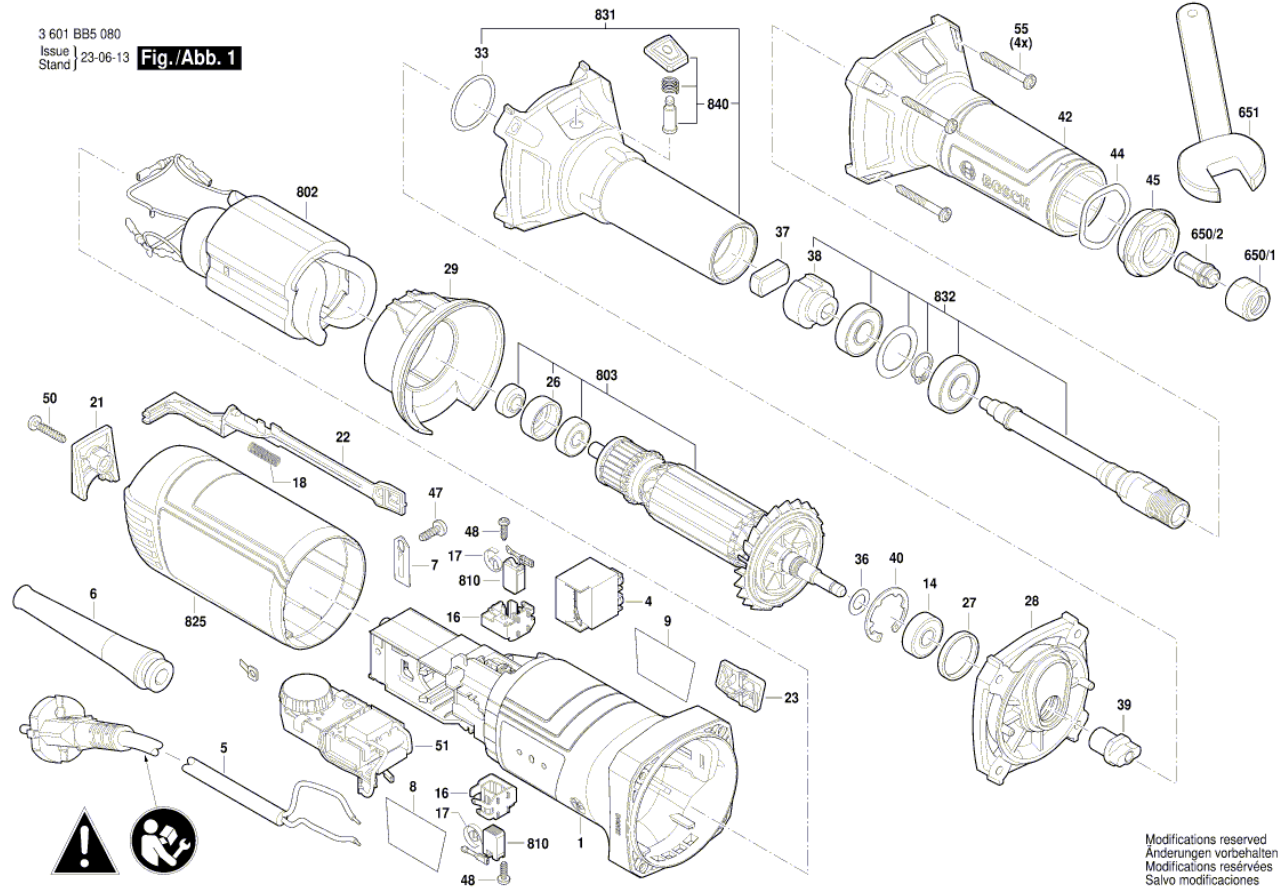
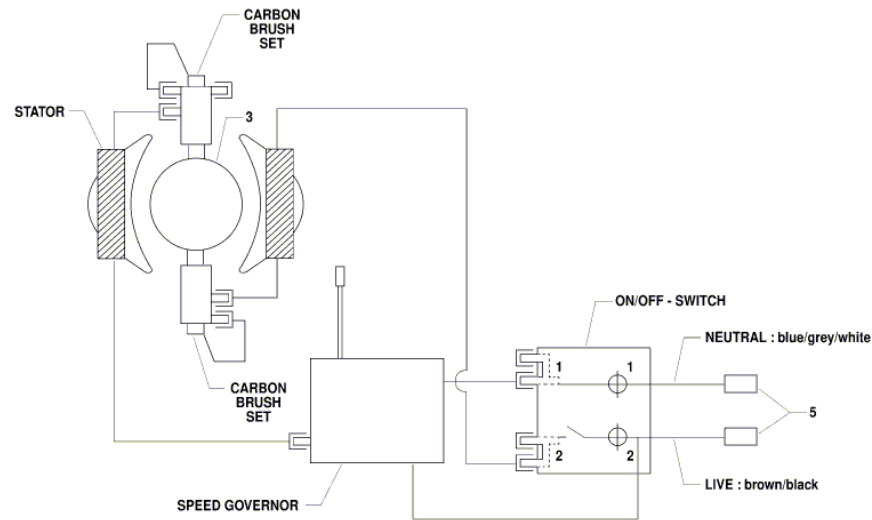


Illustration - Type - E

3 601 BB5 080
 Issue | 23-06-13 **Fig./Abb. 2**
 Stand |

Anzugsmomente
 Torque values
 Couple de serrage
 Pares de apriete
 Pos. 4 = 0,5 - 0,8 Nm
 39 = 7,0 - 9,0 Nm
 45 = 23 - 27 Nm
 47 = 2,0 - 2,5 Nm
 48 = 0,8 - 1,1 Nm
 50 = 1,2 - 1,8 Nm
 55 = 1,5 - 1,9 Nm



Modifications reserved
 Änderungen vorbehalten
 Modifications réservées
 Salvo modificaciones