



BOSCH

Straight Grinders

GGs 27 | 0 601 210 043

Table of Content

Spare parts list.....	2
Illustration - Type.....	4

Spare parts list

Item	Part Number	Description		
1	2 605 806 375	Spindle Housing	BLUE	
2	2 603 312 006	Union Nut	SW 17, Ø 18,5 MM	
4	2 600 300 073	Seal Bushing		
5	2 916 660 013	Retaining clip	DIN 472-32x1,2 MM	
6	2 916 650 006	Retaining clip	DIN 471-15x1-FSt	
7	2 600 500 033	Cupped Washer		
8	2 600 108 033	Felt Washer		
9	2 603 490 023	Torx Oval-Head Screw	4x20	
10	2 600 905 017	groove ball bearing	15x32x9	
11	1 600 102 626	Shim	0,1 MM	THICK
102	2 604 220 445	Field	220-230V	
104	1 607 200 093	On-Off Switch		
105	1 604 460 222	Power supply cord H05 RN-F	CN 2,65m 2 x 1,0mm	
106	2 600 703 012	Grommet	Ø6,5-Ø6,9x95 MM	
107	2 601 035 001	Cable Clip		
109	2 601 116 670	Manufacturer's nameplate		
112	2 607 329 118	Suppression Filter		
113	2 600 905 088	groove ball bearing		
116	1 600 A00 3G4	Brush Holder		
116	2 601 323 022	Brush Holder		
118	2 603 410 001	Socket head cap screw	M3x6,5-4.8	
119	2 603 490 022	Screw	4x16	
120	2 601 116 671	Manufacturer's nameplate		
125	2 603 490 017	Torx Oval-Head Screw	3x10	
126	2 604 652 009	Spiral Spring		
127	2 600 150 033	Shim		
128	2 600 101 027	Shim washer	0,3 MM	
128	2 600 101 665	Shim washer	0,2 MM	
128	2 600 101 667	Shim washer	0,5 MM	
130	2 910 601 321	Tapping Screw	DIN 7982-ST3,9x22C-H	
131	2 600 508 036	Housing Cover	BLUE	
134	2 602 319 005	Adjusting Slide	BLUE	
135	2 601 328 045	Cover Disc		
136	2 603 435 086	Tapping Screw		

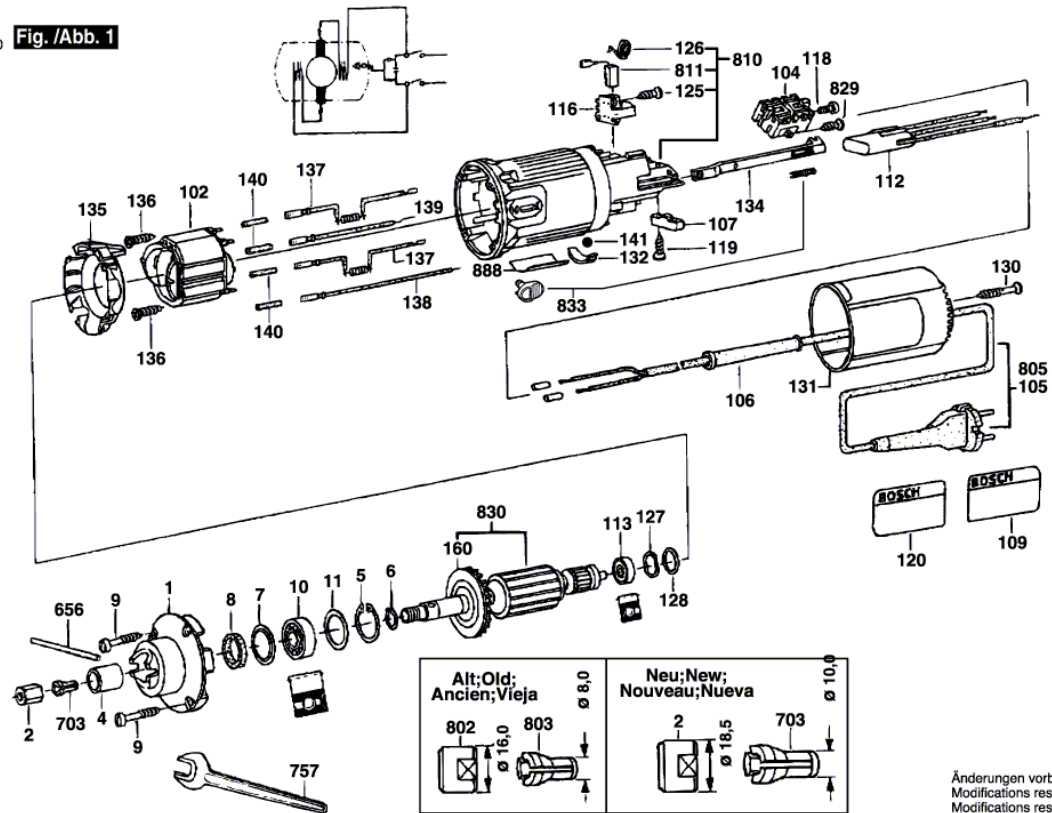
Spare parts list

Item	Part Number	Description		
137	2 604 465 049	Suppression Filter		
138	2 604 448 078	Connecting Cable	L=119MM	WHITE
139	2 604 448 044	Connecting Cable	L=86MM	WHITE
140	1 610 712 034	Shrinkable Tube		
141	2 603 230 002	Ball	BLACK	
160	2 606 610 050	Fan		
656	2 603 101 035	Straight Pin	4x60 MM	
703	2 608 570 047	Collet	Ø 6 MM / Ø 10 MM	
703	2 608 570 048	Collet	Ø 6,4MM=1/4" / Ø 10MM	
703	2 608 570 049	Collet	Ø 8 MM / Ø 10 MM	
757	1 607 950 525	Single-Head Eng. Wrench	SW17	
803	2 608 570 005	Collet		
803	2 608 570 066	Collet	Ø 6,4 MM=1/4"/Ø 8 MM	
810	2 605 108 904	Motor Housing	BLUE	
811	2 604 320 912	Carbon-Brush Set		
829	2 910 611 006	Tapping Screw	DIN 7981-ST2,9x13-C-H	
830	2 604 010 915	Armature	220-230V	
833	2 602 026 910	Switch Handle		
888	2 601 117 142	Marking Plate		

Illustration - Type - E

0 601 210 003
Stand } 07-09
Issue } 10-01-20

Fig. /Abb. 1



Änderungen vorbehalten
Modifications reserved
Modifications reserves
Salvo modificaciones