



**BOSCH**

# Impact Wrench

GDX18V-1600 | 3 601 JG5 212

---

## Table of Content

Spare parts list.....	2
Illustration - Type.....	3

Spare parts list

Item	Part Number	Description	Illustration
1	1 600 A01 E10	Housing	1
2	1 607 022 67M	DC motor	1
4	2 607 202 398	Electronic Module	1
5	2 609 100 698	Button	1
8	1 600 A01 4AW	Warning Label	1
9	1 601 11C 295	Manufacturer's nameplate	1
12	2 609 101 783	Cover	1
15	1 600 A01 P7H	Warning Label	1
45	1 600 A00 N61	Gear Box	1
45/46	2 609 170 157	Rubber Ring	1
45/47	2 609 111 262	Metal Ring	1
45/48	2 609 170 185	Sleeve	1
45/890	1 600 A00 2NE	Grease Tube 45 ml	1
46	1 609 280 477	Compression Spring	1
58	2 609 100 301	Strap	1
91	1 607 A35 0BM	Battery Pack BAT612 18V 2.0Ah Li SCM	1
91	1 607 A35 0MB	Battery Pack	1
91	2 607 336 819	Battery Pack USA BAT620 18V 4,0Ah	1
91/1/22	2 601 115 537	Sticker	1
100	2 609 111 584	Clip	1
101	2 609 110 201	Torx Flat-Head Screw 3x16	1
103	2 609 110 835	Nut	1
104	2 603 490 023	Torx Oval-Head Screw 4x20	1
105	2 609 110 834	Screw	1
109	2 609 110 343	Screwdriver Blade	1
653	2 607 226 287	Charger US GAL 18V-20 120V / 2A	1
802	1 600 A00 3V5	Stator	1
803	1 600 A01 5UW	Rotor	1
804	1 609 280 478	Contact retainer	1
808	1 601 11A 72C	Nameplate	1
810	1 607 014 18R	Carbon-Brush Set	1
816	1 600 A01 1KB	Brush Holder	1

Illustration - Type - E

3 601 JG5 212

Stand } 19-09-04 **Fig./Abb. 1**  
Issue }

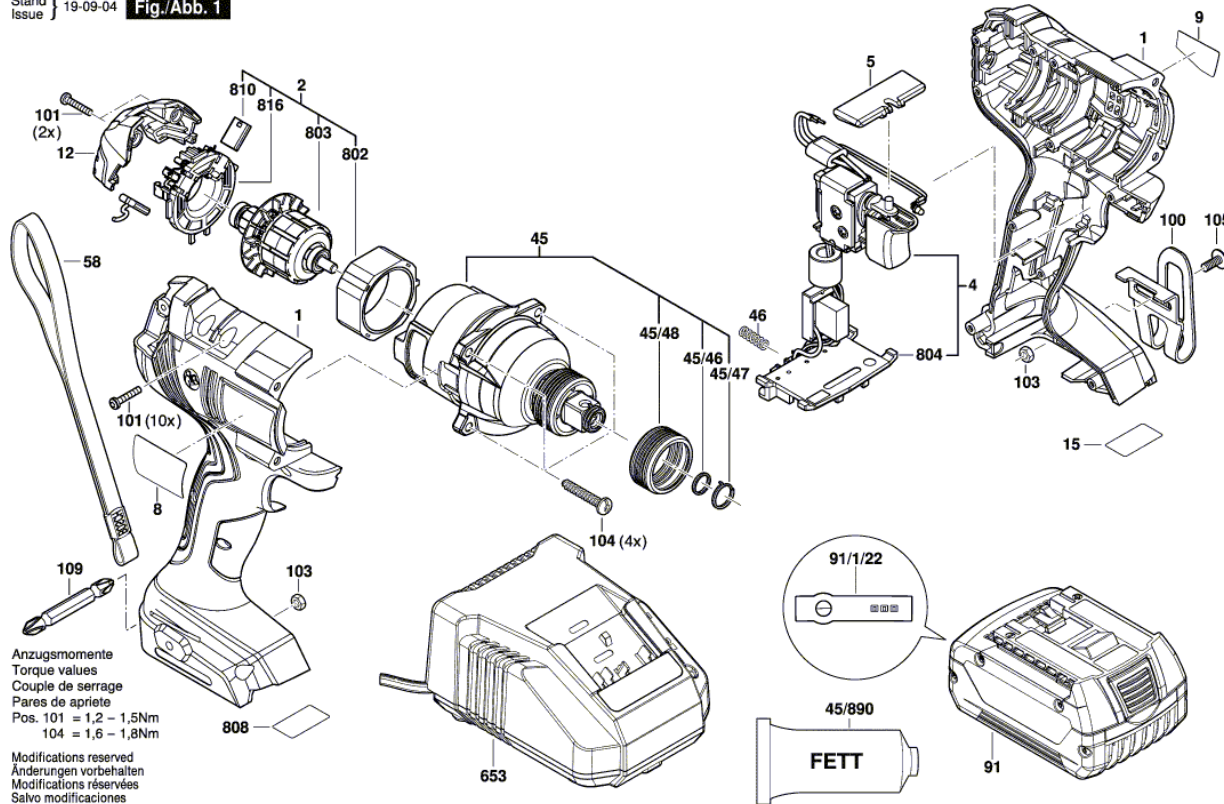


Illustration - Type - E

