



**BOSCH**

# Impact Wrench

GDS 250-LI | 3 601 JG6 180

---

## Table of Content

Spare parts list.....	2
Illustration - Type.....	4

## Spare parts list

Item	Part Number	Description	
1	2 609 101 560	Housing	
2	2 609 120 731	DC motor	
4	2 609 199 892	Electronics Module	
5	2 609 101 784	Adjusting lever	
6	2 609 101 785	Button	
7	2 609 138 369	Label	
9	2 609 138 417	Manufacturer's nameplate	GDS 250 LI
12	2 609 101 783	Cover	
45	2 609 199 838	Gear Box	
46	1 609 280 477	Compression Spring	
58	2 609 100 301	Strap	
91	1 607 A35 0B2	Battery Pack	18V 3.0Ah Li SCM
91/1/22	2 601 115 537	Sticker	
101	2 609 110 201	Torx Flat-Head Screw	3x16
104	2 609 110 327	Screw	
653	2 607 226 281	Fast Charger 12V-18V 2A	EU GAL 18V-20 220V-240V
802	1 600 A00 0E0	Stator	
803	1 600 A01 2PA	Rotor	
808	1 600 A01 23Z	Nameplate	
810	1 604 321 174	Carbon-Brush Set	
816	1 600 A00 P98	Brush Holder	
45/13	2 609 111 873	Washer	
45/30	2 609 112 012	Jack Shaft	
45/31	2 609 110 332	Ball	
45/32	2 609 111 582	Washer	
45/33	2 609 112 003	Spring	
45/34	2 609 111 555	Striker	
45/36	2 609 110 320	Washer	
45/37	2 609 170 206	Damper	
45/40	2 609 111 519	Ring Gear	
45/41	2 609 111 560	Planet Gear	
45/42	2 609 112 105	Dowel pin	
45/50	2 609 112 002	Washer	
45/52	2 609 112 104	Washer	

Spare parts list

Item	Part Number	Description	
45/53	2 609 170 274	O-Ring	
45/55	2 609 170 243	O-Ring	
45/810	2 609 199 938	Front Housing	
45/822	1 600 A01 4Z3	Coupling Half	
45/835	2 609 112 136	steel ball	
45/854	2 609 199 937	Flange Housing	
45/890	1 600 A00 2NE	Grease Tube	45 ml

Illustration - Type - E

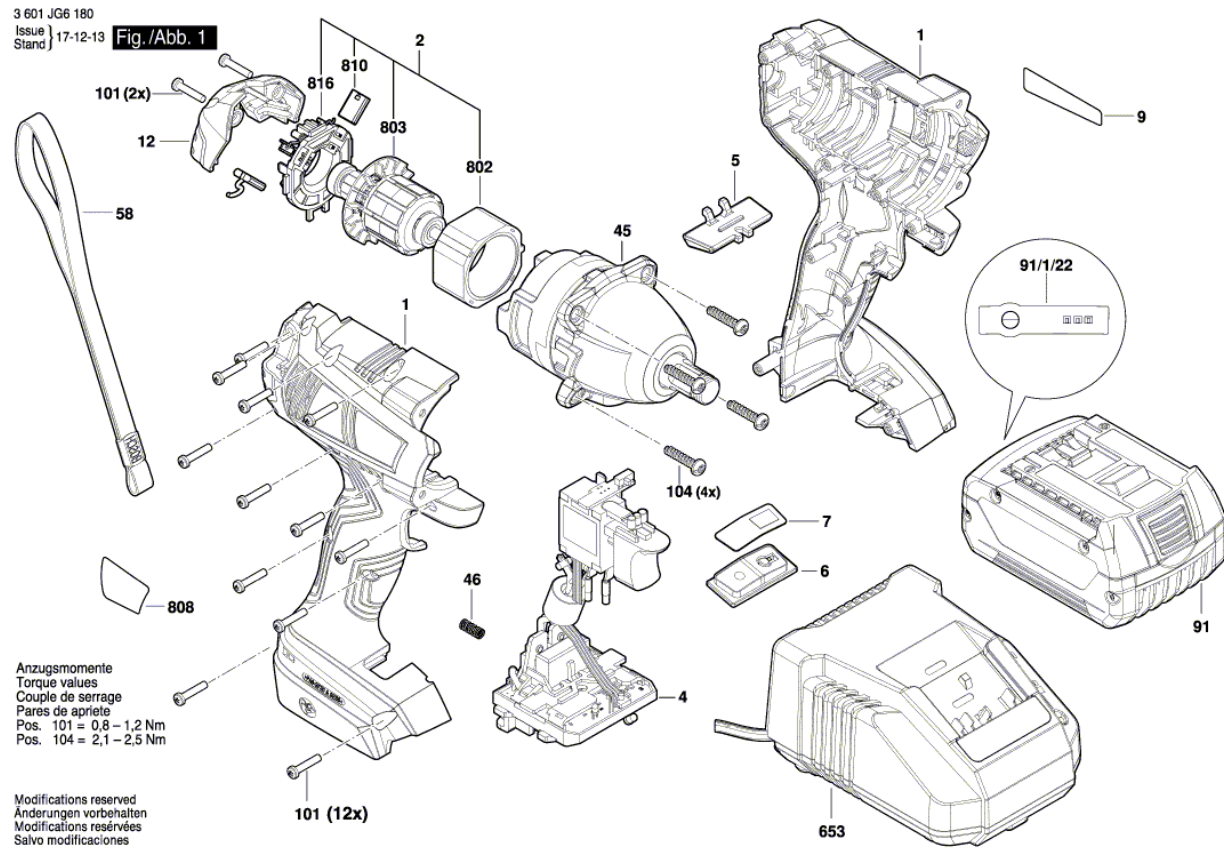


Illustration - Type - E

