



BOSCH

Impact Wrench

GDS 18 V-EC 300 ABR | 3 601 JD8 2L0

Table of Content

Spare parts list.....	2
Illustration - Type.....	4

Spare parts list

Item	Part Number	Description	
1	2 609 101 672	Housing	
2	1 619 P08 594	Stator	
4	1 600 A00 F9U	Electronics Module	
4/160	1 619 P15 186	Shrinkable Tube	
5	2 609 101 067	Adjusting lever	
11	2 609 110 838	Clip	
45	2 609 199 585	Gear Box	
45/61	2 609 112 053	Clip Fastener	
45/61/1	2 609 170 273	Rubber Ring	
46	1 609 280 477	Compression Spring	
48	2 609 136 324	Protection	
49	2 609 170 222	Protective Ring	
50	2 609 101 083	Lens	
51	2 609 101 687	Button	
58	2 609 100 301	Strap	
91	1 607 A35 0M0	Battery Pack	GBA 18V 4.0Ah
91/1/22	2 601 115 537	Sticker	
100	2 609 111 584	Clip	
101	2 609 110 201	Torx Flat-Head Screw	3x16
103	2 609 110 835	Nut	
105	2 609 101 393	Color clip	
107	2 609 110 834	Screw	
653	2 607 225 425	Fast Charger	GB 230/10,8-18V, 1h
803	2 609 199 757	Rotor	18V
804	1 609 280 478	Contact retainer	
45/20	2 609 111 555	Striker	
45/21	2 609 110 332	Ball	
45/23	2 609 110 320	Washer	
45/24	2 609 111 711	Compression Spring	
45/25	2 609 111 582	Washer	
45/26	2 609 170 206	Damper	
45/27	2 609 111 556	Jack Shaft	
45/28	2 609 111 873	Washer	
45/30	2 609 111 851	Washer	
45/40	2 609 111 560	Planet Gear	

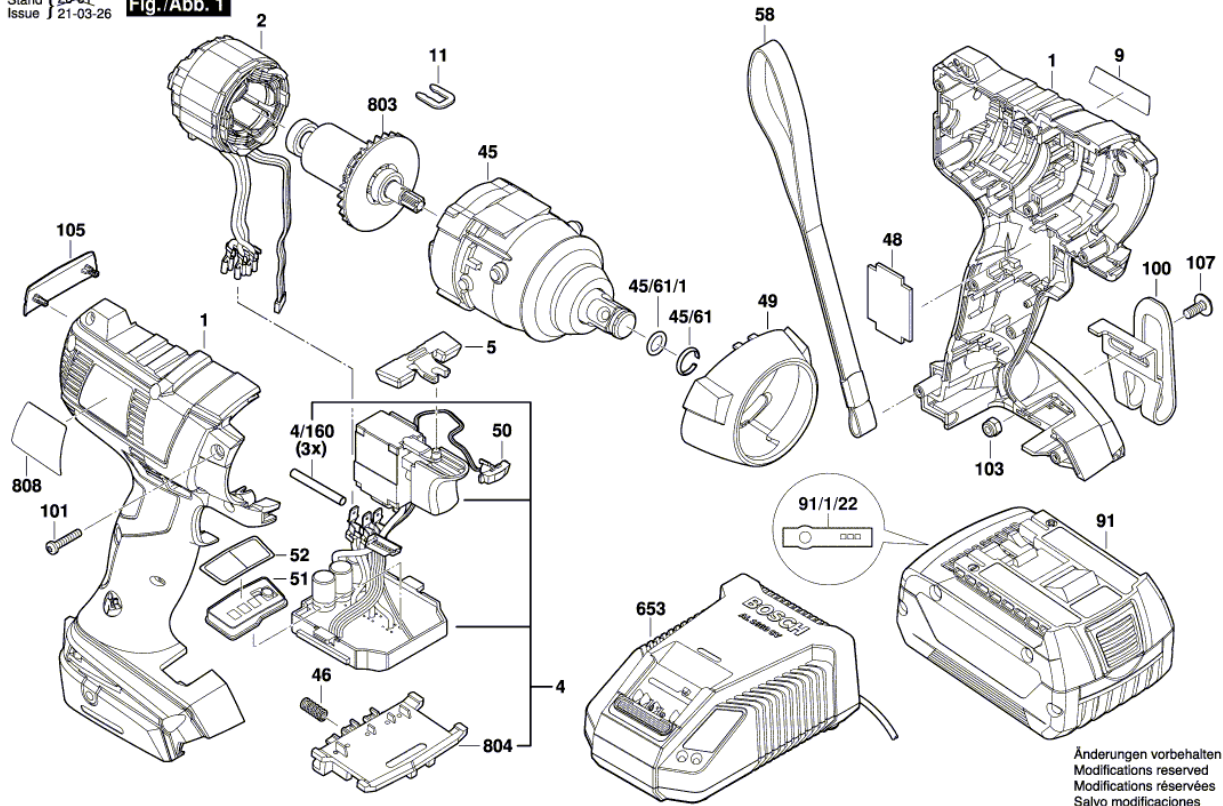
Spare parts list

Item	Part Number	Description
45/41	2 609 112 105	Dowel pin
45/42	2 609 111 519	Ring Gear
45/54	2 609 170 156	O-Ring
45/56	2 609 111 841	Washer
45/57	2 609 170 204	Seal Ring
45/60	2 609 111 518	Coupling Half
45/822	2 609 112 136	steel ball
45/851	2 609 199 972	Gear Housing
45/852	2 609 199 973	Housing
45/890	1 600 A00 2NE	Grease Tube 45 ml

Illustration - Type - E

3 601 JD8 280
 Stand | 20-01
 Issue | 21-03-26

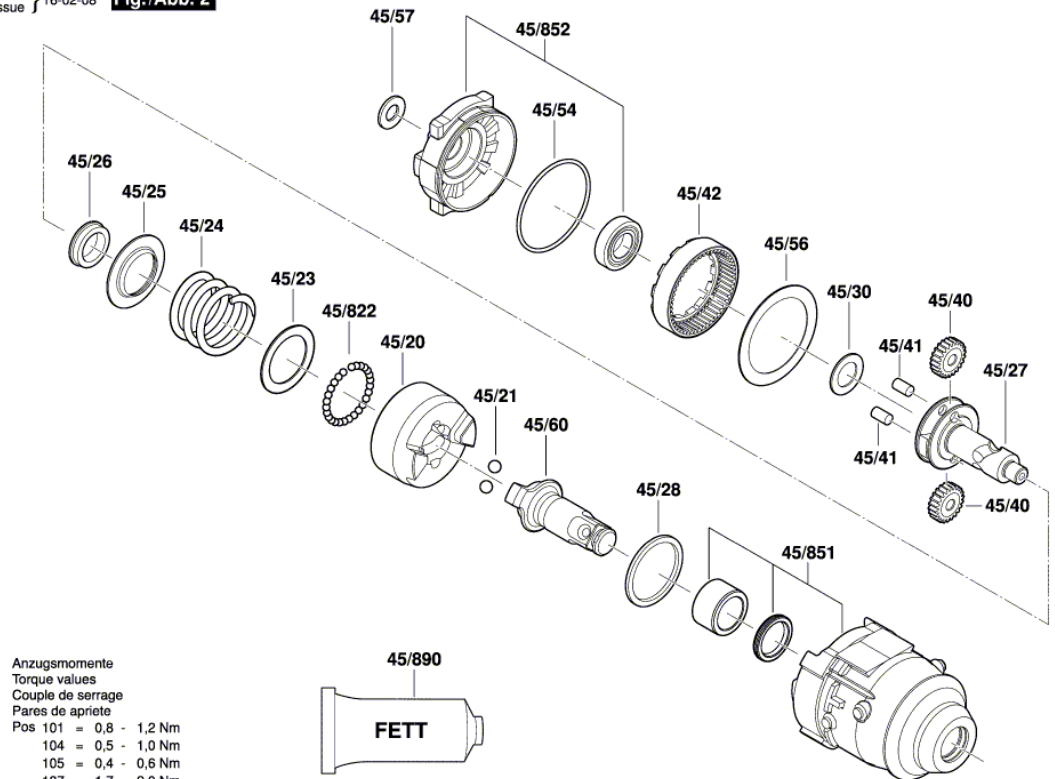
Fig./Abb. 1



Änderungen vorbehalten
 Modifications reserved
 Modifications réservées
 Salvo modificaciones

Illustration - Type - E

3 601 JD8 280
Stand Issue } 16-02-08 **Fig./Abb. 2**



Anzugsmomente
Torque values
Couples de serrage
Paires de apriete
Pos 101 = 0,8 - 1,2 Nm
104 = 0,5 - 1,0 Nm
105 = 0,4 - 0,6 Nm
107 = 1,7 - 2,0 Nm

Änderungen vorbehalten
Modifications reserved
Modifications réservées
Salvo modificaciones