



**BOSCH**

# Impact Wrench

GDS 18 V-EC 250 | 3 601 JD8 180

---

## Table of Content

Spare parts list.....	2
Illustration - Type.....	4

Spare parts list

Item	Part Number	Description
1	2 609 101 346	Housing
2	1 619 P08 594	Stator
4	1 600 A00 19T	Electronics Module
4/160	1 619 P15 186	Shrinkable Tube
5	2 609 101 067	Adjusting lever
11	2 609 110 838	Clip
45	2 609 199 585	Gear Box
45/61	2 609 112 053	Clip Fastener
45/61/1	2 609 170 273	Rubber Ring
46	1 609 280 477	Compression Spring
48	2 609 136 324	Protection
49	2 609 170 222	Protective Ring
50	2 609 101 083	Lens
91	1 607 A35 0M0	Battery Pack      GBA 18V 4.0Ah
91/1/22	2 601 115 537	Sticker
100	2 609 111 584	Clip
101	2 609 110 201	Torx Flat-Head Screw      3x16
103	2 609 110 835	Nut
104	2 609 111 446	Pan head screw
105	2 609 101 393	Color clip
106	2 609 170 196	Protector
107	2 609 110 834	Screw
653	2 607 225 439	Fast Charger      CN 220/10,8-18V, 1h
803	2 609 199 757	Rotor      18V
804	1 609 280 478	Contact retainer
858	2 609 100 301	Strap
45/20	2 609 111 555	Striker
45/21	2 609 110 332	Ball
45/23	2 609 110 320	Washer
45/24	2 609 111 711	Compression Spring
45/25	2 609 111 582	Washer
45/26	2 609 170 206	Damper
45/27	2 609 111 556	Jack Shaft
45/28	2 609 111 873	Washer
45/30	2 609 111 851	Washer

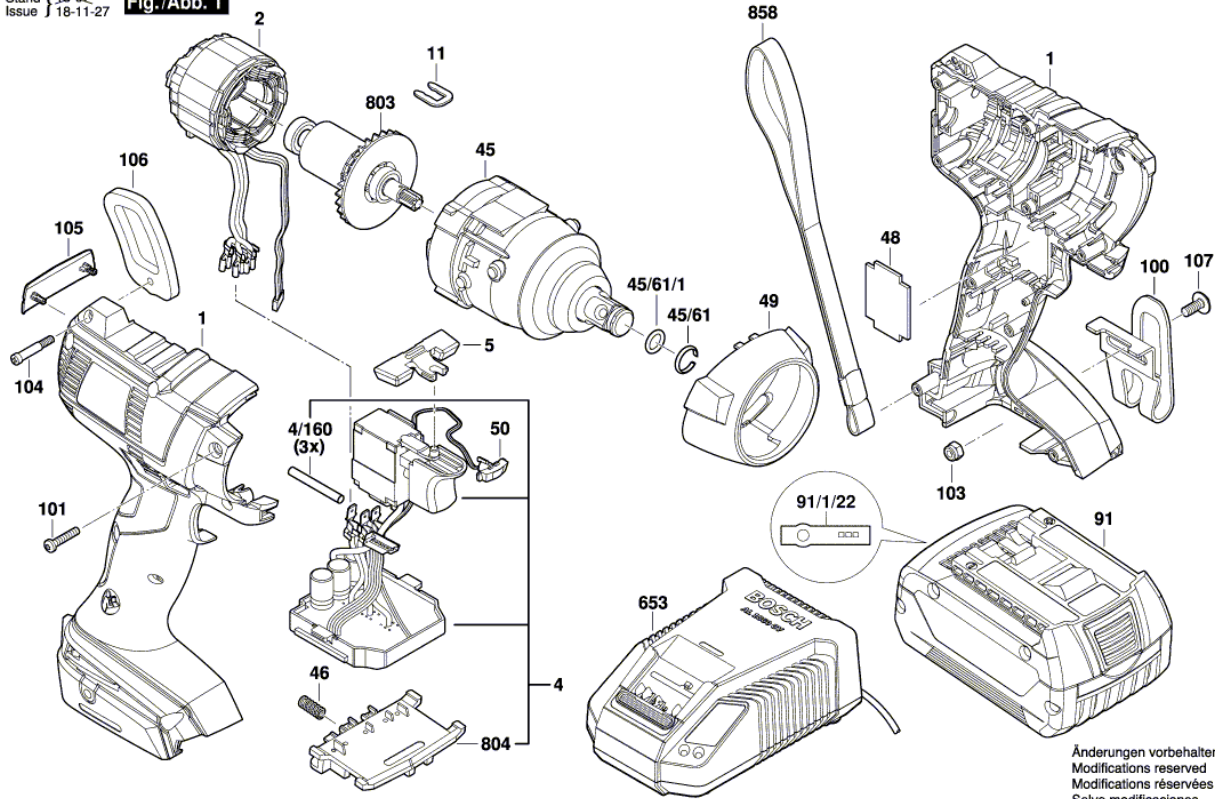
Spare parts list

Item	Part Number	Description
45/40	2 609 111 560	Planet Gear
45/41	2 609 112 105	Dowel pin
45/42	2 609 111 519	Ring Gear
45/54	2 609 170 156	O-Ring
45/56	2 609 111 841	Washer
45/57	2 609 170 204	Seal Ring
45/60	2 609 111 518	Coupling Half
45/822	2 609 112 136	steel ball
45/851	2 609 199 972	Gear Housing
45/852	2 609 199 973	Housing
45/890	1 600 A00 2NE	Grease Tube 45 ml

Illustration - Type - E

3 601 JD8 180  
 Stand } 18-07  
 Issue } 18-11-27

Fig./Abb. 1



Änderungen vorbehalten  
 Modifications reserved  
 Modifications réservées  
 Salvo modificaciones

