

Impact Wrench - 0 601 436 860 - GDS 18-E

www.powertools-aftersaleservice.com

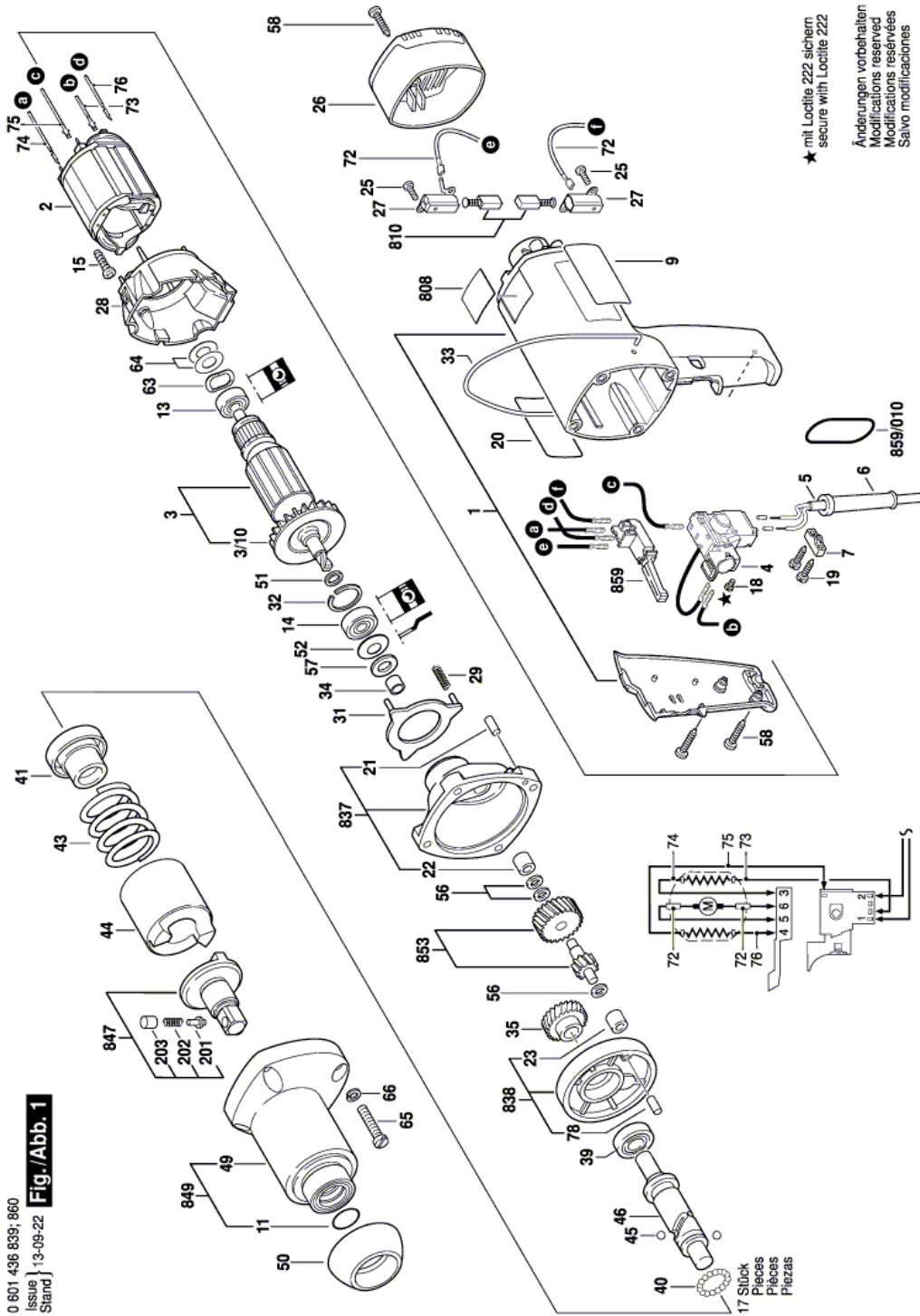


BOSCH

Item	Part Number	Description	Illustration	Price	Quantity	Price Group
	1 3 605 108 109	Motor Housing BLUE	1	-,-	1	39
	2 2 604 220 439	Field 110-115V	1	-,-	1	31
	3 2 604 010 628	Armature 110V	1	-,-	1	41
3/10	2 606 610 049	Fan	1	-,-	1	12
	4 2 607 200 249	Switch	1	-,-	1	43
	5 3 604 460 049	Power supply cord	1	-,-	1	31
	6 2 600 703 013	Grommet Ø7,6-Ø8,2x95 MM	1	-,-	1	13
	7 2 601 035 001	Cable Clip	1	-,-	1	11
	9 2 610 906 995	Sticker	1	-,-	1	17
	11 3 600 210 134	O-Ring 22,0x2,2 MM	1	-,-	1	10
	13 1 900 905 018	Deep-Groove Ball Bearing 7x22x7	1	-,-	1	29
	14 2 600 905 021	Deep-Groove Ball Bearing 9x24x7	1	-,-	1	21
	15 2 603 435 015	Recessed-Head Screw DIN 7981-ST3,5x9,5-F	1	-,-	3	11
	18 2 603 410 001	Socket head cap screw M3x6,5-4.8	1	-,-	2	11
	19 2 603 490 022	Torx Oval-Head Screw 4x16	1	-,-	2	10
	20 2 610 906 873	Sticker	1	-,-	1	18
	21 2 917 500 095	Straight Pin 4 H 8x12 DIN 7	1	-,-	1	11
	22 2 600 914 010	Needle bearing Ø6 MM	1	-,-	1	14
	23 2 600 914 010	Needle bearing Ø6 MM	1	-,-	1	14
	25 1 613 435 034	Lens Head Screw 3x10 ST	1	-,-	4	10
	26 3 605 500 018	Housing Cover BLACK	1	-,-	1	20
	27 2 604 337 003	Brush Holder	1	-,-	2	12
	28 3 605 500 017	Air-Deflector Ring	1	-,-	1	20
	29 2 604 611 024	Compression Spring	1	-,-	3	11
	31 3 600 190 003	Supporting Disc	1	-,-	1	14
	32 2 916 660 008	Spring retaining ring DIN 472-24x1,2 MM	1	-,-	1	11
	33 2 604 682 001	Suspension Loop	1	-,-	1	20
	34 2 600 400 008	Receptacle	1	-,-	1	11
	35 2 606 317 001	Cylindrical Gear Z=31	1	-,-	1	34
	39 1 900 900 287	Deep-Groove Ball Bearing 12x28x8	1	-,-	1	29
	40 1 903 230 007	Ball DIN 5401-4 MM-III-ST	1	-,-	17	10
	41 3 605 801 002	Bushing	1	-,-	1	38
	43 3 604 619 012	Compression Spring	1	-,-	1	24

Item	Part Number	Description	Illustration	Price	Quantity	Price Group
44	3 608 710 002	Striker	1	-,-	1	54
45	1 903 230 013	Ball DIN 5401-Ø7MM-III-ST	1	-,-	2	10
46	2 603 124 002	Drive Shaft	1	-,-	1	44
49	3 605 190 188	Impact Mechanism Housing	1	-,-	1	45
50	2 600 250 005	Protective Ring	1	-,-	1	18
51	3 600 113 007	Spacer Ring	1	-,-	1	11
52	2 600 500 002	Cupped Washer	1	-,-	1	11
56	2 600 100 569	Shim 1,0 MM	1	-,-	1	11
57	2 600 108 077	Felt Washer	1	-,-	1	11
58	2 910 211 020	Tapping Screw DIN 7971-BZ3,9x19	1	-,-	4	10
63	2 600 150 004	Shim	1	-,-	1	11
64	2 600 101 023	Shim 0,3 MM	1	-,-	1	11
64	2 600 101 022	Shim 0,2 MM	1	-,-	1	11
64	2 600 101 020	Shim 0,5 MM	1	-,-	1	11
65	2 910 141 166	Hex Socket Head Cap Screw DIN 912-M 5x30-8.8	1	-,-	4	11
66	2 916 690 004	Spring Lock Washer DIN 128-A5-FST	1	-,-	4	11
71	3 604 431 033	Connecting Cable	N/A	-,-	1	-
72	3 604 431 021	Cable	1	-,-	1	17
73	3 604 431 000	Cable BLUE	1	-,-	1	18
74	3 604 431 019	Cable GRAY	1	-,-	1	17
75	3 604 431 008	Cable BLACK	1	-,-	1	18
76	3 604 431 020	Cable WHITE	1	-,-	1	18
78	2 917 500 101	Straight Pin 4 H 8x24 DIN 7	1	-,-	1	11
201	1 603 124 085	Detent Pin	1	-,-	1	12
202	1 604 611 019	Compression Spring	1	-,-	1	11
203	1 600 506 009	Guide Sleeve	1	-,-	1	17
808	1 601 106 036	Nameplate 26x37 MM	1	-,-	1	13
810	2 604 321 905	Carbon-Brush Set	1	-,-	1	23
837	3 605 500 187	Intermediate Bearing	1	-,-	1	46
838	3 605 700 120	Intermediate Flange	1	-,-	1	33
847	2 606 490 906	Coupling Half	1	-,-	1	50
849	3 605 190 188	Impact Mechanism Housing	1	-,-	1	45
853	3 606 309 058	Toothed Shaft	1	-,-	1	41
859	1 617 200 042	Switch	1	-,-	1	25
859/010	2 600 210 019	O-Ring 33,0x2,0 MM	1	-,-	1	11

Illustration - Type E



Information subject to change without further notice.