



**BOSCH**

# Impact Wrench

GDR 18 V-LI | 3 601 JA1 380

---

## Table of Content

Spare parts list.....	2
Illustration - Type.....	3

## Spare parts list

Item	Part Number	Description
1	2 609 101 136	Housing
4	1 607 233 480	Electronics Module
5	2 609 100 698	Button
9	2 609 132 048	Manufacturer's nameplate GDR 18V-LI
21	2 609 111 485	Wire Mesh
45	2 609 199 693	Gear Box
45/60	2 609 170 128	Cap
46	1 609 280 477	Compression Spring
91	1 607 A35 0M0	Battery Pack GBA 18V 4.0Ah
100	2 609 110 833	Clip
101	2 609 110 201	Torx Flat-Head Screw 3x16
103	2 609 110 835	Nut
105	2 609 110 834	Screw
109	2 609 110 342	Screwdriver Blade
653	2 607 225 937	Charger CN GAL 1880 CV 220V/14,4-18V
802	2 609 199 313	DC motor
802/33	2 609 170 104	O-Ring
804	1 609 280 478	Contact retainer
808	2 609 132 199	Nameplate
816	2 609 199 169	Carbon-Brush Set
848	2 609 199 190	Brush-Cover
849	2 609 199 223	Bit holder

Illustration - Type - E

3 601 JA1 300

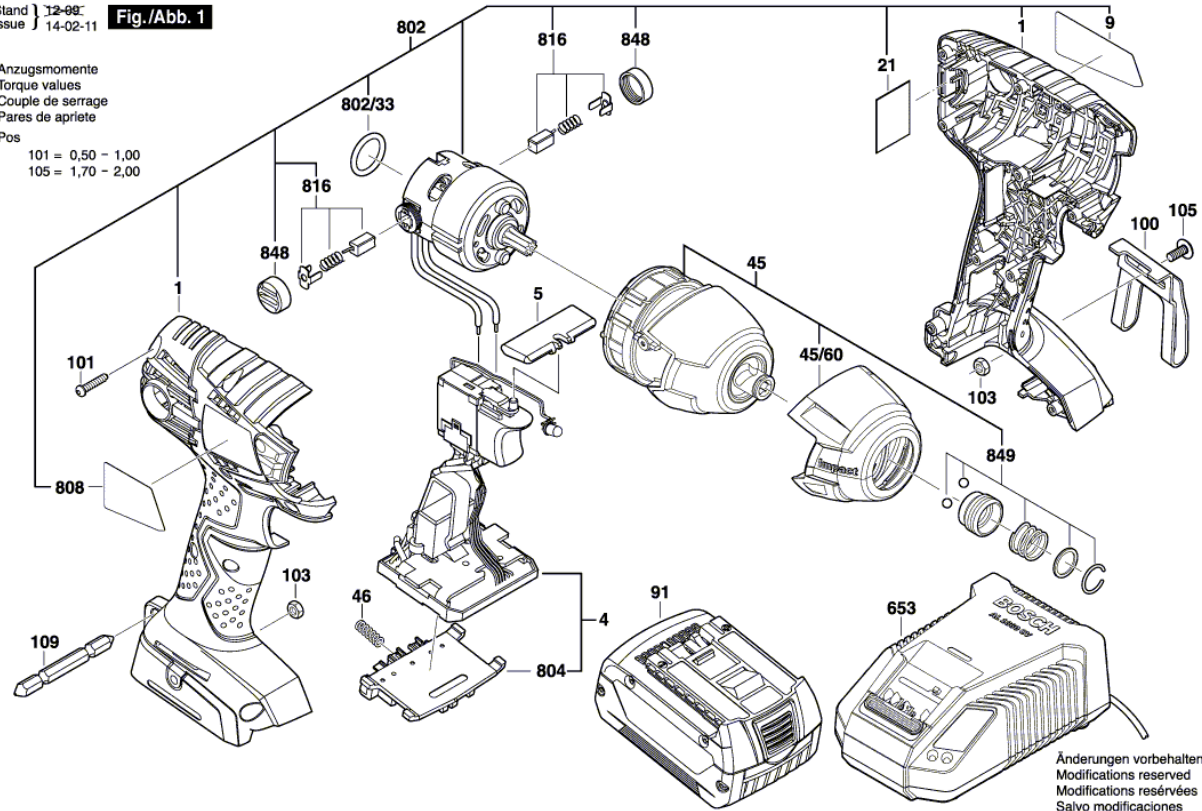
Stand } 12-98  
Issue } 14-02-11

Fig./Abb. 1

Anzugsmomente  
Torque values  
Couple de serrage  
Pares de apriete

Pos

101 = 0,50 - 1,00  
105 = 1,70 - 2,00



Änderungen vorbehalten  
Modifications reserved  
Modifications réservées  
Salvo modificaciones