



**BOSCH**

# Marble Saw

GDM 12-34 | 0 601 36A 043

---

## Table of Content

|                          |   |
|--------------------------|---|
| Spare parts list.....    | 2 |
| Illustration - Type..... | 4 |

## Spare parts list

| Item   | Part Number   | Description                                   |
|--------|---------------|---|
| 2      | 1 619 P01 021 | Field 230-240V                                |
| 3      | 1 619 P00 962 | Armature set 230-240V                         |
| 4      | 1 619 P00 436 | Switch  |
| 5      | 1 604 460 256 | Power supply cord H05 RN-F CN 2,65m 2 x 1,0mm |
| 6      | 2 600 703 012 | Grommet Ø6,5-Ø6,9x95 MM                       |
| 7      | 2 601 035 001 | Cable Clip                                    |
| 11     | 1 619 P00 269 | Cover   |
| 12     | 1 619 P00 252 | Condenser                                     |
| 17     | 1 619 P00 263 | Wing Screw                                    |
| 18     | 1 619 P00 276 | Screw   |
| 19     | 2 603 435 071 | Headless Screw 65 MM                          |
| 20     | 1 619 P00 104 | Torx Oval-Head Screw                          |
| 21     | 1 619 P00 029 | Screw   |
| 22     | 1 619 P00 298 | Screw   |
| 23     | 1 619 P00 296 | Spring Washer                                 |
| 24     | 1 619 P00 297 | Plain Washer                                  |
| 26     | 1 619 P00 041 | Hex Socket Head Cap Screw                     |
| 27     | 1 619 P00 046 | Hex Screw                                     |
| 28     | 1 619 P00 259 | Cover Grid                                    |
| 31     | 1 619 P00 257 | Cap-Handle                                    |
| 32     | 1 619 P00 247 | Air-Deflector Ring                            |
| 33     | 1 619 P00 236 | Spindle Assembly                              |
| 34     | 1 619 P00 254 | Protection cover                              |
| 35     | 1 619 P00 255 | Protection cover                              |
| 36     | 1 619 P00 264 | Cylinder Sleeve                               |
| 37     | 2 917 761 159 | Spring Pin                                    |
| 38     | 1 619 P00 279 | Rubber Bushing                                |
| 39     | 1 619 P00 323 | connecting terminal                           |
| 41     | 1 619 P00 244 | Sealing Unit                                  |
| 42     | 1 619 P00 253 | O-Ring  |
| 650/25 | 1 619 P00 278 | Hex Screw                                     |
| 801    | 1 619 P06 569 | Housing Set                                   |
| 808    | 1 619 P00 589 | Nameplate                                     |
| 810    | 1 619 P01 033 | Carbon-Brush Set                              |

## Spare parts list

| Item  | Part Number   | Description              |
|-------|---------------|--------------------------|
| 850   | 1 619 P00 289 | groove ball bearing      |
| 851   | 1 619 P00 286 | Seal                     |
| 853   | 1 619 P00 273 | Key                      |
| 854   | 1 619 P00 290 | groove ball bearing      |
| 855   | 1 619 P00 246 | Pinion                   |
| 856   | 1 619 P00 294 | Retaining ring           |
| 860   | 1 619 P00 285 | groove ball bearing      |
| 861   | 1 619 P00 295 | Retaining ring           |
| 862   | 1 619 P00 272 | Cylindrical Gear         |
| 863   | 1 619 P00 243 | Sleeve                   |
| 864   | 1 619 P00 280 | Retaining ring           |
| 865   | 1 619 P00 287 | Washer                   |
| 866   | 1 619 P00 352 | groove ball bearing      |
| 867   | 1 619 P00 241 | Seal Ring                |
| 868   | 1 619 P00 277 | Key                      |
| 869   | 1 619 P01 040 | Spindle                  |
| 870   | 1 619 P00 488 | Flange                   |
| 650/1 | 1 619 P00 238 | Shim ring                |
| 650/2 | 1 619 P00 239 | Supporting Disc          |
| 650/3 | 1 619 P00 281 | Chuck Wrench             |
| 650/4 | 1 619 P00 282 | Hexagon Socket Screw Key |

Illustration - Type - E

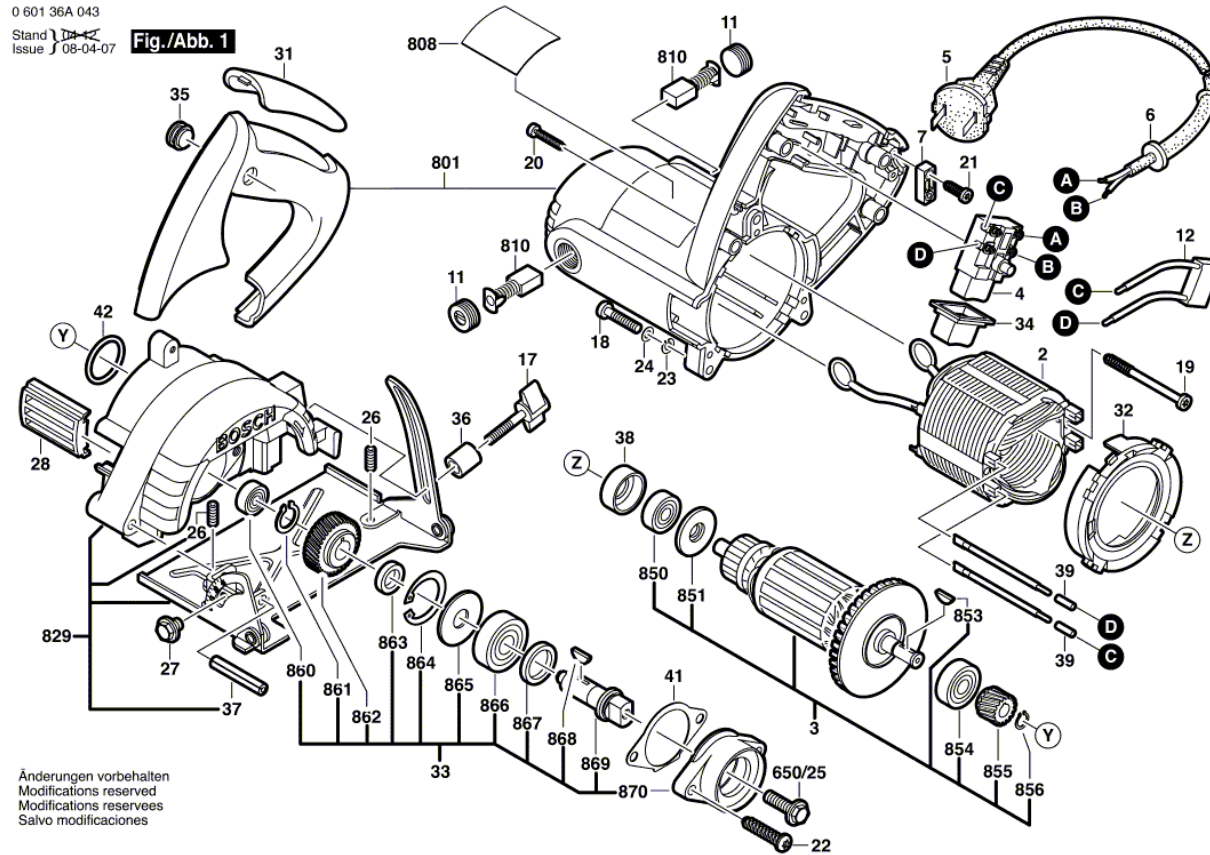
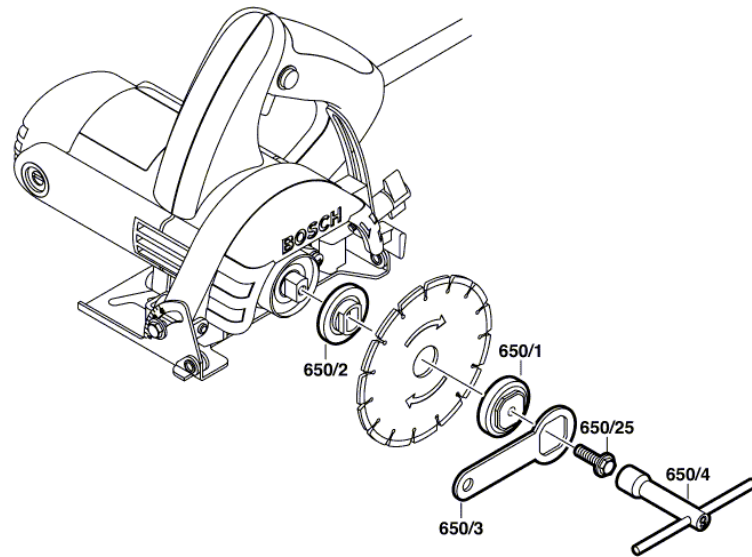


Illustration - Type - E

0 601 36A 043  
Stand 13-07  
Issue J 04-11-22 **Fig./Abb. 2**



Änderungen vorbehalten  
Modifications reserved  
Modificaciones reservadas  
Salvo modificaciones