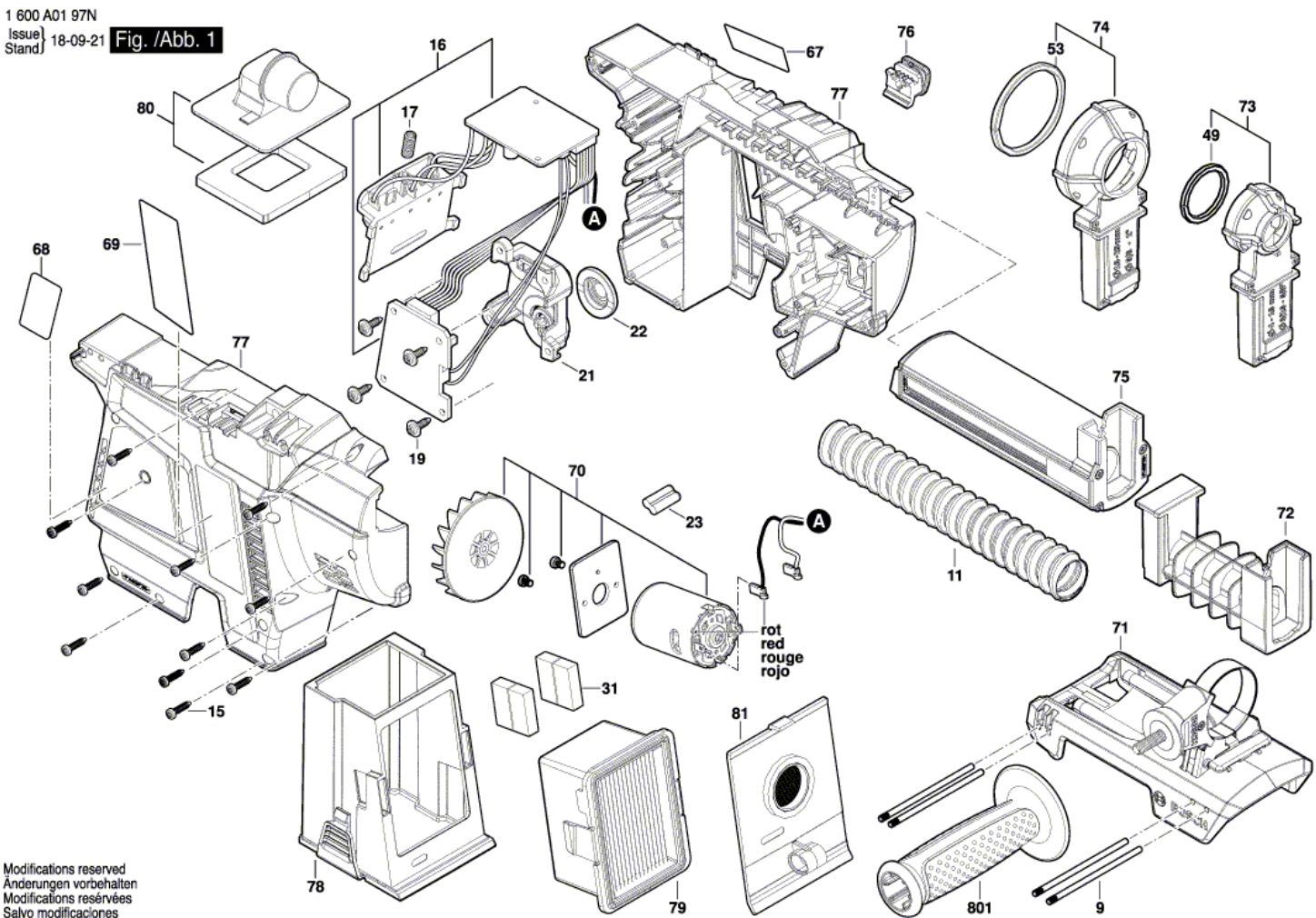


collector - 1 600 A01 97N - GDE18V-26D

www.powertools-aftersaleservice.com

**BOSCH**

Item	Part Number	Description	Illustration	Price	Quantity	Price Group
9	1 600 A01 DB6	Dowel pin		1	-,-	4 10
11	1 600 A00 6ZX	Hose		1	-,-	1 25
15	1 603 490 A11	Tapping Screw		1	-,-	13 10
16	1 600 A01 H04	Electronics Module		1	-,-	1 37
17	1 604 612 039	Compression Spring		1	-,-	1 10
19	1 603 490 A12	Tapping Screw		1	-,-	4 10
21	1 600 A01 DL0	Switch Housing		1	-,-	1 11
22	1 600 A01 DL1	Switch Button		1	-,-	1 10
23	1 600 A01 DL2	Seal Element		1	-,-	1 10
31	1 600 A01 E0H	Filter Element		1	-,-	4 10
49	1 600 A01 E1K	Brush		1	-,-	1 17
53	1 600 A01 E1R	Brush		1	-,-	1 18
67	1 600 A01 L5L	Decal		1	-,-	1 10
68	1 601 11A 6MG	Nameplate		1	-,-	1 13
69	1 600 A01 L5N	Decal		1	-,-	1 13
70	1 600 A01 L35	Motor assembly		1	-,-	1 34
71	1 600 A01 E26	Adapter		1	-,-	1 30
72	1 600 A01 E27	Lengthening Piece		1	-,-	1 16
73	1 600 A01 E28	Socket Pipe		1	-,-	1 21
74	1 600 A01 E29	Socket Pipe		1	-,-	1 22
75	1 600 A01 L36	Extension Tube		1	-,-	1 26
76	1 600 A01 E2A	Button		1	-,-	2 15
77	1 605 108 2KN	Housing Section		1	-,-	1 35
78	1 605 806 5WT	Housing		1	-,-	1 21
79	1 600 A01 E2B	Filter		1	-,-	1 28
80	1 600 A01 E2C	Elbow		1	-,-	1 14
81	1 600 A01 E2D	Compensation unit		1	-,-	1 15
801	1 602 025 096	Auxiliary Handle		1	-,-	1 18



Information subject to change without further notice.