

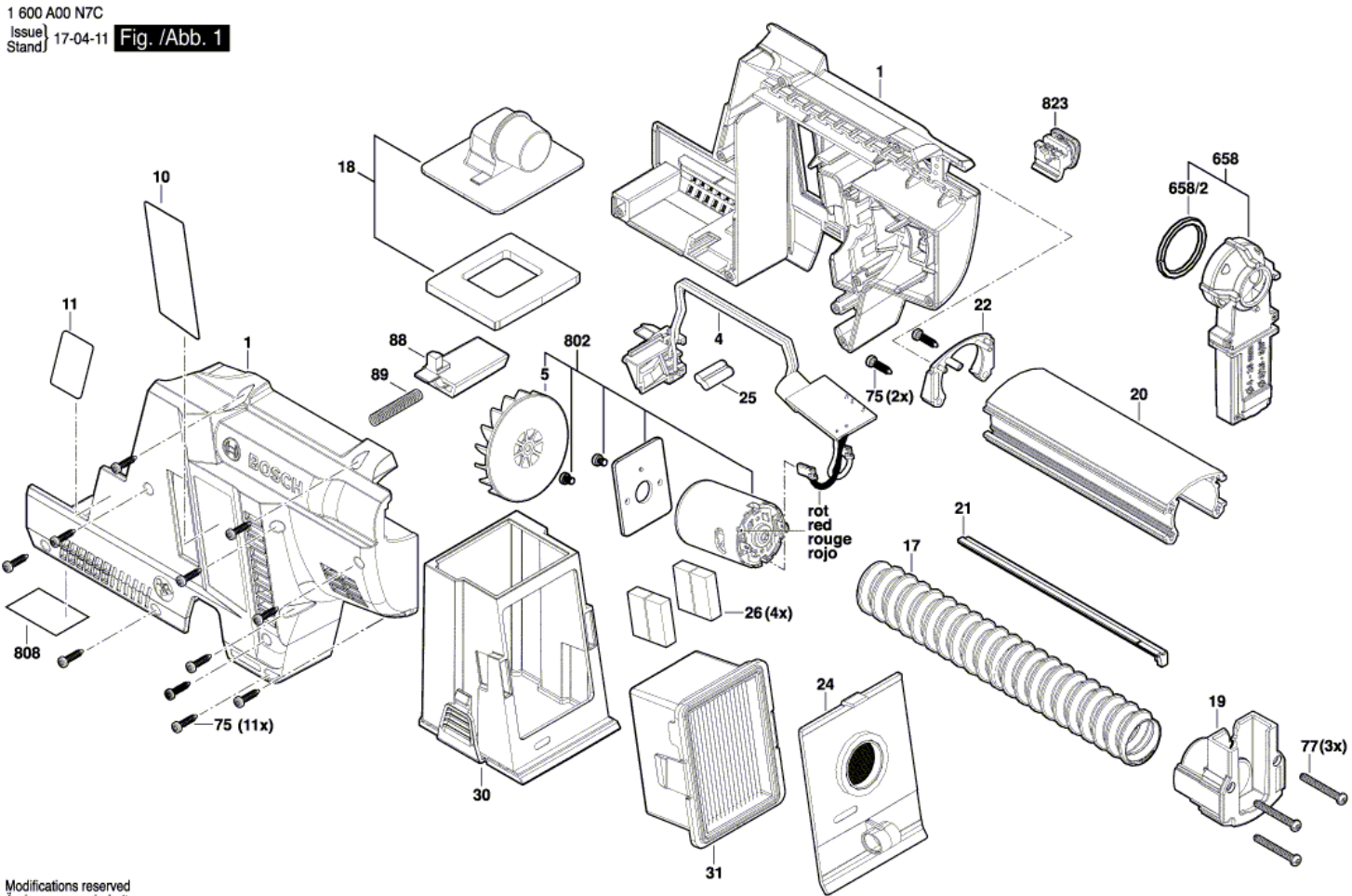
Dust Extraction - 1 600 A00 N7C - GDE 18V-16

www.powertools-aftersaleservice.com



BOSCH

Item	Part Number	Description	Illustration	Price	Quantity	Price Group
1	1 605 108 2BG	Housing Section	1	-,-	1	31
4	1 607 233 5A7	Electronics Module	1	-,-	1	37
5	1 606 610 15K	Fan	1	-,-	1	18
10	1 601 11C 0WU	Warning Plate USA	1	-,-	1	13
11	1 601 11C 0YP	Reference Plate USA	1	-,-	1	13
17	1 600 A00 6ZX	Hose	1	-,-	1	25
18	1 600 A00 NF1	Elbow	1	-,-	1	21
19	1 600 A00 C3T	Angle Piece	1	-,-	1	14
20	1 600 A00 6ZY	Aluminum Profile	1	-,-	1	22
21	1 600 A00 C2J	Toothed rack	1	-,-	1	12
22	1 600 A01 3DD	End cap	1	-,-	1	10
24	1 600 A00 L5X	Compensation unit	1	-,-	1	23
25	1 600 A01 00K	Seal Element	1	-,-	1	11
26	1 600 A01 00L	Filter Element	1	-,-	4	11
30	1 605 411 01G	Dust container	1	-,-	1	25
31	1 600 A00 6ZT	Filter	1	-,-	1	26
75	1 613 490 028	Torx Oval-Head Screw	1	-,-	13	10
77	1 603 435 07C	Torx Oval-Head Screw	1	-,-	3	10
88	1 600 A00 6ZW	Push-Button	1	-,-	1	11
89	1 614 611 006	Compression Spring	1	-,-	1	15
658	1 600 A00 RV6	Socket Pipe	1	-,-	1	28
658/2	1 600 A00 D2R	Brush	1	-,-	1	17
802	1 607 000 CA3	DC motor	1	-,-	1	34
808	1 601 11A 57W	Nameplate	1	-,-	1	13
823	1 619 P50 021	Button	1	-,-	1	16



Modifications reserved
Änderungen vorbehalten
Modifications réservées
Salvo modificaciones

Information subject to change without further notice.