

Diamond Drilling Machine - 0 601 18A 739 - GDB 220...

www.powertools-aftersaleservice.com



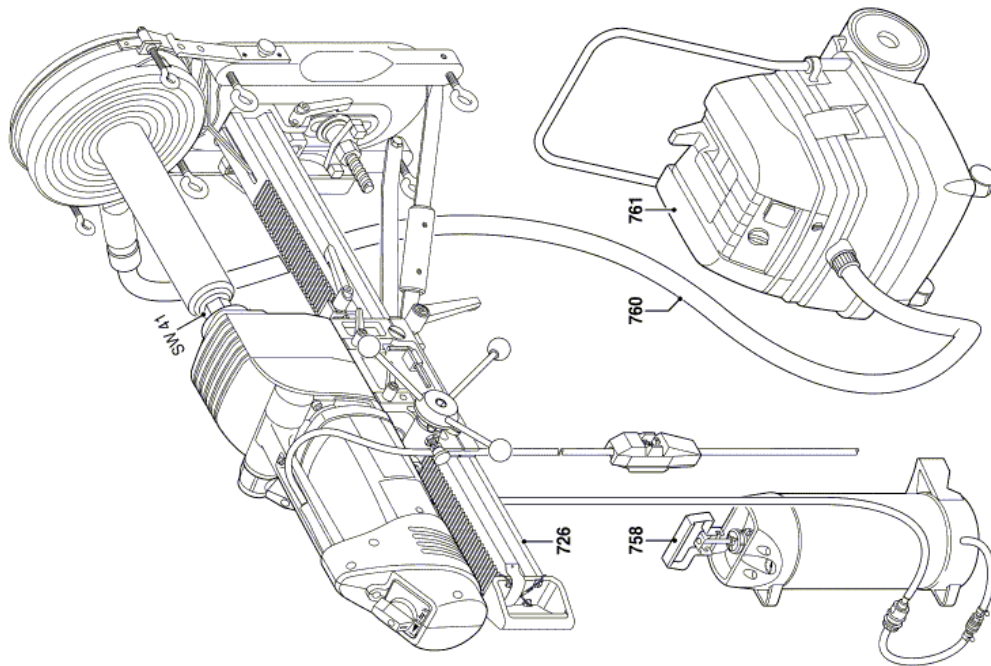
BOSCH

Item	Part Number	Description	Illustration	Price	Quantity	Price Group
4	3 607 031 559	Switch	1	-,-	1	45
4/4	2 910 601 327	Tapping Screw DIN 7982-ST 4,2x19-C	1	-,-	4	18
6	3 608 871 594	Grommet Ø11,0-Ø13,4x76 MM	1	-,-	1	13
7	1 601 302 013	Fastening Clamp	1	-,-	1	11
9	3 601 119 200	Manufacturer's nameplate	1	-,-	1	15
9/1	3 601 119 201	Reference Plate	1	-,-	1	15
9/3	3 601 119 441	Reference Plate	1	-,-	1	13
12	3 607 328 020	Connecting Link	1	-,-	1	-
13	1 600 905 011	Deep-Groove Ball Bearing 8x22x7	1	-,-	1	18
14	3 600 905 155	Deep-Groove Ball Bearing 10x35x11	1	-,-	1	24
17	1 607 233 172	Speed governor 120V	1	-,-	1	-
18	3 604 420 008	Light Conductor	1	-,-	1	23
23	1 605 500 206	Sealing cap BLUE	1	-,-	2	16
27	3 606 309 059	Drive Spur Wheel LEFTHAND THREADS	1	-,-	1	45
31	3 600 499 018	Air-Deflector Ring	1	-,-	1	36
33	3 600 290 065	Rotary shaft lip seal 15X30X7/6	1	-,-	1	31
38	1 600 206 020	Rubber Ring 7 MM WIDE	1	-,-	1	11
39	1 600 206 030	Rubber Ring	1	-,-	1	11
41	3 602 329 040	Holding Plate	1	-,-	1	12
42	3 604 441 012	Connecting Cable	1	-,-	1	16
44	1 601 334 009	Pickup Clip	1	-,-	2	10
61	2 912 401 039	Tapping Screw DIN 7981-ST4,8X45-C-Z	1	-,-	4	12
62	3 603 435 027	Tapping Screw 5x30	1	-,-	3	10
63	3 603 435 028	Tapping Screw 5x20	1	-,-	1	10
64	1 603 435 042	Self-Cutting Screw St3,9x12	1	-,-	6	11
65	2 912 401 020	Tapping Screw DIN 7981-3,9x19-C-Z-ST	1	-,-	2	10
103	2 600 210 003	O-Ring 40,0x1,5 MM	1	-,-	1	13
104	2 910 141 201	Hex Socket Head Cap Screw DIN 912-M6x20-8,8	1	-,-	3	13
224	3 603 100 037	Retaining Pin	1	-,-	1	37
226	3 600 700 053	Sight Glass	1	-,-	1	24
227	3 605 510 041	Impeller Wheel	1	-,-	1	13
228	3 600 210 112	O-Ring 25,0x2,65 MM	1	-,-	1	11
229	3 600 210 114	O-Ring 33,0x2,5 MM	1	-,-	1	11

Item	Part Number	Description	Illustration	Price	Quantity	Price Group
	230 3 600 100 082	Plain Washer	1	-,-	2	11
	231 3 602 380 011	Isolating Valve	1	-,-	1	31
	232 3 600 760 107	Flexible Connection	1	-,-	1	36
	237 3 600 109 014	Sealing Disc	1	-,-	1	13
	301 3 609 201 540	Drilling Spindle SW36, 1 1/4", R 1/2"	1	-,-	1	55
	302 3 609 201 541	Contrarotating Disc	1	-,-	3	37
	303 3 609 201 542	Shaft Seal	1	-,-	1	36
	304 3 609 201 543	Thrust Needle Bearing	1	-,-	2	32
	305 3 609 201 544	Needle-Roller Bearing	1	-,-	1	46
	306 3 609 201 545	Coupling Plate	1	-,-	2	35
	308 3 609 201 546	Friction Disk	1	-,-	2	28
	309 3 609 201 547	Straight Pin	1	-,-	1	13
	310 3 609 201 548	Cylindrical Gear	1	-,-	1	49
	311 3 609 201 549	Bearing Sleeve	1	-,-	1	37
	312 3 609 201 550	Disc Spring	1	-,-	2	26
	313 3 609 201 551	Hex Nut	1	-,-	2	22
	316 3 609 201 552	Deep-Groove Ball Bearing	1	-,-	1	32
	318 3 609 201 553	Shaft Seal	1	-,-	2	32
	320 3 609 201 570	Seal	1	-,-	1	26
	321 3 609 201 554	Needle bearing	1	-,-	2	35
	322 3 609 201 555	Deep-Groove Ball Bearing	1	-,-	1	28
	335 3 609 201 556	Pinion Shaft	1	-,-	1	51
	337 3 609 201 557	Sliding Gear	1	-,-	1	51
	338 3 609 201 558	Straight Pin	1	-,-	1	20
	342 3 609 201 559	Deep-Groove Ball Bearing	1	-,-	1	29
	343 3 609 201 560	Pinion Shaft	1	-,-	1	50
	345 3 609 201 561	Upper Housing	1	-,-	1	56
	346 3 609 201 563	Housing Base	1	-,-	1	57
	346/1 3 609 201 562	Coiled Spring Pin	1	-,-	2	13
	347 3 609 201 564	Spring retaining ring	1	-,-	1	12
	349 3 609 201 565	O-Ring	1	-,-	2	20
	350 3 609 201 566	Clamp Handle	1	-,-	1	43
	350/1 3 609 201 567	Straight Pin	1	-,-	1	13
	350/2 3 609 201 568	Coiled Spring Pin	1	-,-	1	12
	353 3 609 201 569	Socket head cap screw	1	-,-	4	17
	726 0 601 190 026	Drill Stand	2	-,-	1	-
	734/8 3 603 386 050	Hose Coupling 1/2"	1	-,-	1	23
	758 2 609 390 308	Calibrating Unit	2	-,-	1	-
	759 2 609 390 315	Whetstone	2	-,-	1	-
	760 1 609 202 230	Air Hose Ø35 MM, L=5 M	2	-,-	1	-
	761 0 601 989 139	All Purpose Vacuum Clean	2	-,-	1	-
	801 3 607 031 569	Motor Housing BLUE	1	-,-	1	33
	802 3 604 220 156	Field 120V	1	-,-	1	-
	803 3 604 010 096	Armature 120V	1	-,-	1	-
	805 3 604 460 157	Power supply cord	1	-,-	1	-
	808 1 601 106 037	Nameplate 26x52 MM	1	-,-	1	13
	810 3 607 014 009	Carbon-Brush Set	1	-,-	1	33
	816 1 604 336 048	Brush Holder	1	-,-	2	19
	819 3 605 133 026	Cap-Handle	1	-,-	1	41
	821 3 605 500 168	End Shield	1	-,-	1	55
	824 3 607 031 562	Handle	1	-,-	1	52
	825 3 607 031 563	Connecting Plate	1	-,-	1	40
	835 1 606 610 127	Fan	1	-,-	1	14

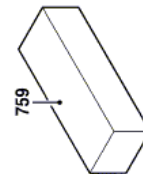
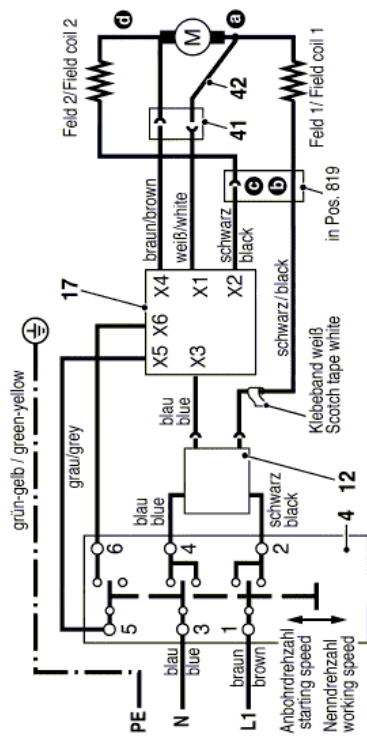
Item	Part Number	Description	Illustration	Price	Quantity	Price Group
846	1 607 000 342	Retaining Washer	1	-,-	1	13
867	3 607 031 560	Grounding plate	1	-,-	1	32
895	1 615 430 019	Oil Reservoir 1000 ML	1	-,-	1	40
898	3 609 201 577	Spindle Bearing	1	-,-	1	68
899	1 600 190 043	Glide ring Ø32,2xØ41x1 MM	1	-,-	1	15

Illustration - Type E



0 601 18A 739
Issue | 09-06-08
Stand

Fig./Abb. 2



Modifications reserved
Änderungen vorbehalten
Modifications réservées
Salvo modificaciones

Information subject to change without further notice.