

## Diamond Drilling Machine - 0 601 189 639 - GDB 160...

www.powertools-aftersaleservice.com



**BOSCH**

Item	Part Number	Description	Illustration	Price	Quantity	Price Group
3/50	3 606 610 002	Fan		1	-,-	1 13
4	3 607 200 084	Switch		1	-,-	1 33
4/10	2 910 011 082	Socket head cap screw DIN 84-AM3,5x6-5.8		1	-,-	4 10
6	3 600 703 011	Grommet Ø9,2-Ø12x120 MM		1	-,-	1 13
7	1 601 302 013	Fastening Clamp		1	-,-	1 11
9	2 610 994 189	Manufacturer's nameplate		1	-,-	1 15
9/1	2 610 994 190	Reference Plate SHADOW SIDE		1	-,-	1 15
9/3	2 610 994 199	Reference Plate		1	-,-	1 15
13	2 600 905 032	Deep-Groove Ball Bearing 7x19x6		1	-,-	1 17
14	3 600 905 131	Deep-Groove Ball Bearing 9x26x8		1	-,-	1 23
16	1 604 336 018	Brush Holder		1	-,-	2 19
17	1 607 233 127	Speed governor 100-120V		1	-,-	1 38
18	3 600 460 006	Segmented Ring		1	-,-	2 13
19	3 605 500 153	Cover		1	-,-	1 16
20	1 603 435 061	Tapping Screw TORX-T20		1	-,-	2 12
21	1 604 613 006	Compression Spring		1	-,-	2 11
23	3 605 500 063	Sealing cap BLUE		1	-,-	2 16
24	2 910 211 019	Tapping Screw DIN 7971-ST3,9x16-F		1	-,-	4 10
25	2 910 021 118	Socket head cap screw DIN 84-AM4x8-8.8		1	-,-	2 10
26	1 600 502 011	Intermediate Ring		1	-,-	1 11
28	3 606 135 006	Drilling Spindle		1	-,-	1 42
29	3 600 283 042	Rotary shaft lip seal 17X32X7		1	-,-	1 28
30	1 600 300 090	Intermediate Ring		1	-,-	1 14
32	3 605 500 156	Bearing cover		1	-,-	1 18
33	2 910 211 018	Tapping Screw DIN 7971-ST3,9x13-F		1	-,-	2 10
34	3 600 499 016	Air-Deflector Ring		1	-,-	1 16
35	3 601 025 003	Wire Guide		1	-,-	2 11
36	3 603 435 024	Lens Head Screw		1	-,-	3 12
38	3 604 652 001	Spiral Spring		1	-,-	2 13
39	2 910 211 239	Tapping Screw DIN 79-4,8x45-C-ST		1	-,-	4 10
40	3 604 411 040	Thread-forming tap. Screw		1	-,-	2 12
44	3 604 438 031	Connecting Cable		1	-,-	2 12
45	3 604 414 049	Earth Conductor L=415 MM		1	-,-	1 25

Item	Part Number	Description	Illustration	Price	Quantity	Price Group
47	1 604 477 001	Blade terminal	1	-,-	2	11
48	3 603 231 008	Rotary Knob	1	-,-	1	26
50	2 917 550 099	Straight Pin DIN 6325-4m6x20	1	-,-	1	11
51	1 903 230 013	Ball DIN 5401-Ø7MM-III-ST	1	-,-	1	10
52	2 600 910 001	Needle bearing Ø14 MM	1	-,-	1	16
54	1 600 910 018	Needle bearing Ø8xØ12x8 MM	1	-,-	1	16
55	1 600 100 617	Shim 0,5 MM THICK	1	-,-	1	11
57	3 600 100 083	Shim	1	-,-	1	11
59	1 610 910 088	Needle bearing	1	-,-	1	18
61	3 606 317 047	Cylindrical Gear Z=34	1	-,-	1	40
62	3 606 317 048	Cylindrical Gear Z=45	1	-,-	1	39
63	3 602 317 037	Wedge	1	-,-	2	28
64	3 604 610 048	Compression Spring	1	-,-	2	11
65	3 601 015 009	Seal	1	-,-	1	11
66	3 600 101 051	Carrier	1	-,-	1	40
67	3 602 317 050	Guide Key	1	-,-	1	17
68	3 604 610 049	Compression Spring	1	-,-	1	12
69	2 917 800 032	Coiled Spring Pin DIN 7343-4x2	1	-,-	1	10
71	2 917 500 121	Straight Pin 5 H 8x18 DIN 7	1	-,-	2	10
72	1 900 900 273	Deep-Groove Ball Bearing 6003 Y DIN 625	1	-,-	1	30
73	2 916 650 008	Spring retaining ring DIN 471 17x1 MM	1	-,-	1	11
77	2 600 590 006	Ratchet Cap	1	-,-	2	11
87	3 600 210 028	O-Ring 6,0x2,0 MM	1	-,-	1	11
88	3 600 210 115	O-Ring 12,5x2,5 MM	1	-,-	1	11
90	1 601 030 022	Tab Washer	1	-,-	2	11
91	3 600 707 022	Shrinkable Tube	1	-,-	2	15
92	3 600 707 022	Shrinkable Tube	1	-,-	2	15
93	3 600 400 028	Spacer Sleeve	1	-,-	1	21
94	3 600 400 025	Plain Washer	1	-,-	1	14
95	3 600 400 026	Spacer Sleeve	1	-,-	2	22
96	3 603 414 022	Socket head cap screw M4x103 MM	1	-,-	1	21
97	3 601 016 003	Contact Sheet	1	-,-	1	30
98	3 603 100 033	Bolt	1	-,-	1	14
99	2 916 031 006	Toothed lock washer	1	-,-	2	10
100	3 603 100 034	Threaded Insert	1	-,-	1	11
101	3 602 319 041	Socket-Terminal Strip 1x1,5 MM	1	-,-	1	11
102	3 601 119 070	Reference Plate	1	-,-	1	15
206	3 600 905 114	Deep-Groove Ball Bearing 30x47x9	2	-,-	2	33
207	3 606 319 030	Carrier	2	-,-	1	38
208	3 603 130 009	Hollow Shaft 1 1/4", R 1/2"	2	-,-	1	52
209	3 604 610 155	Compression Spring	2	-,-	1	13
212	2 916 650 017	Spring retaining ring DIN 471 30x1,5 MM	2	-,-	1	11
213	3 600 224 050	Retaining ring	2	-,-	1	11
220	3 600 283 041	Rotary shaft lip seal 30X42X6	2	-,-	2	24
224	3 603 100 037	Retaining Pin	2	-,-	1	37
225	3 605 102 084	Housing	2	-,-	1	50
226	3 600 700 053	Sight Glass	2	-,-	1	24
227	3 605 510 041	Impeller Wheel	2	-,-	1	13
228	3 600 210 112	O-Ring 25,0x2,65 MM	2	-,-	1	11
229	3 600 210 114	O-Ring 33,0x2,5 MM	2	-,-	1	11
230	3 600 100 082	Plain Washer	2	-,-	2	11
231	3 602 380 011	Isolating Valve	2	-,-	1	31
232	3 600 760 107	Flexible Connection	2	-,-	1	36

Item	Part Number	Description	Illustration	Price	Quantity	Price Group
232/60	1 609 351 000	O-Ring 11x2,5 MM	2	-,-	1	11
234/8	3 603 386 050	Hose Coupling 1/2"	2	-,-	1	23
235	2 917 550 077	Straight Pin DIN 6325-3M6x12	2	-,-	1	10
236	3 603 386 057	Self-locking nut M5	2	-,-	1	12
237	3 600 109 014	Sealing Disc	2	-,-	1	13
238	3 600 224 056	Spring retaining ring	2	-,-	1	11
651	3 602 025 014	Auxiliary Handle M14 BLACK	2	-,-	1	15
654	1 615 438 373	Carrying Case	2	-,-	1	-
715	2 608 598 044	Lengthening Piece R 1/2"	2	-,-	1	-
716	2 608 598 045	Lengthening Piece 1 1/4"	2	-,-	1	-
726	0 601 190 026	Drill Stand	2	-,-	1	-
727	2 609 390 313	Drilling And Boring Jig	2	-,-	1	-
758	2 609 390 308	Calibrating Unit	2	-,-	1	-
759	2 609 390 315	Whetstone	2	-,-	1	-
760	1 609 202 230	Air Hose Ø35 MM, L=5 M	2	-,-	1	-
761	0 601 989 139	All Purpose Vacuum Clean	2	-,-	1	-
801	3 605 108 181	Motor Housing BLUE	1	-,-	1	39
802	3 604 220 108	Field 110-120V	1	-,-	1	39
803	3 604 010 090	Armature 110-120V	1	-,-	1	45
805	3 604 460 114	Power supply cord	1	-,-	1	51
805	3 604 460 158	Power supply cord	1	-,-	1	-
808	1 601 106 037	Nameplate 26x52 MM	1	-,-	1	13
810	3 607 014 005	Carbon-Brush Set	1	-,-	1	33
811	3 603 349 003	Star Knob	2	-,-	1	29
822	3 605 806 184	Spindle Bearing	1	-,-	1	48
823	3 600 300 055	Clamp Bushing	2	-,-	1	25
827	3 605 133 022	Handle	1	-,-	1	-
831	3 600 290 070	Rotary shaft lip seal	1	-,-	1	20
837	3 607 030 438	Intermediate Bearing	1	-,-	1	48
841	3 602 329 036	Holding Plate	1	-,-	1	11
846	3 604 441 010	Connecting Cable L=170 MM WHITE	1	-,-	1	12
851	2 916 060 005	Spring Washer DIN 137-A 4-ST	1	-,-	2	10
852	3 607 031 573	Flushing Jet 1 1/4", R 1/2"	2	-,-	1	59
852/1	3 607 031 574	Extractor Head 1 1/4", R 1/2"	2	-,-	1	58
856	3 606 309 054	Spur Wheel Clutch	1	-,-	1	51
899	1 600 190 043	Glide ring Ø32,2xØ41x1 MM	2	-,-	1	15

Illustration - Type E

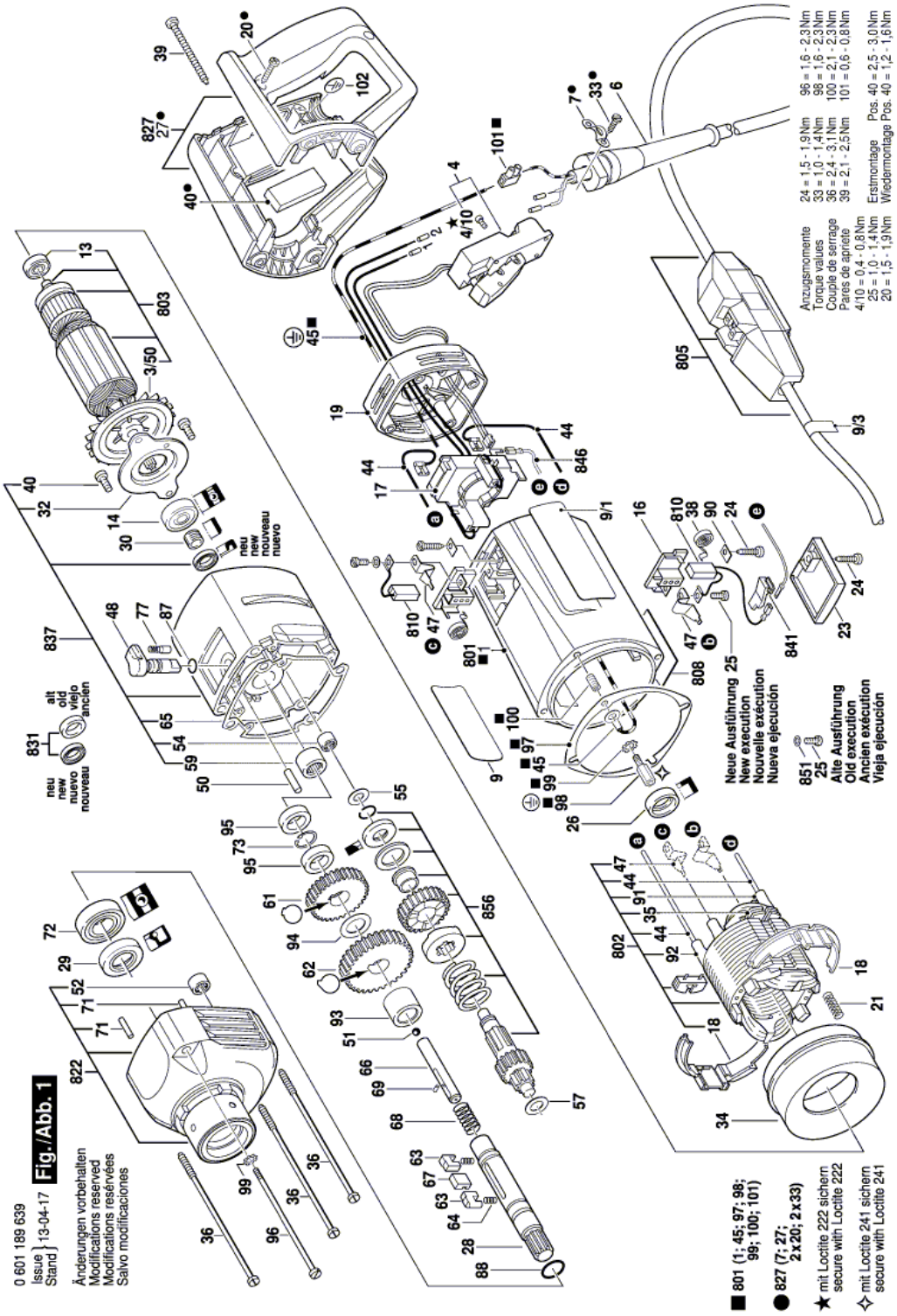
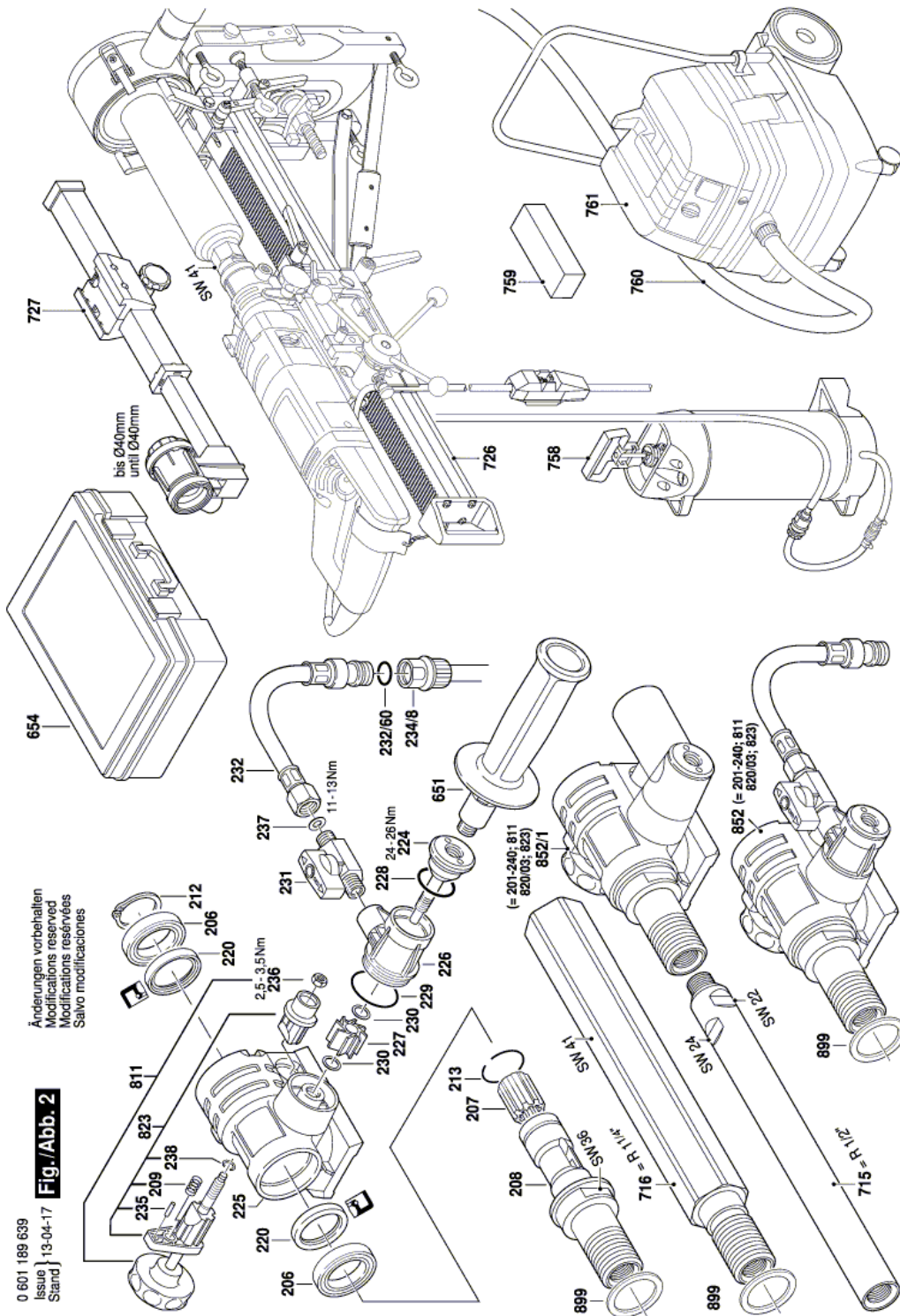


Illustration - Type E



Information subject to change without further notice.