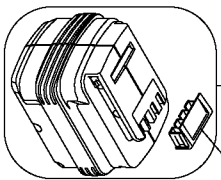
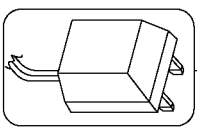


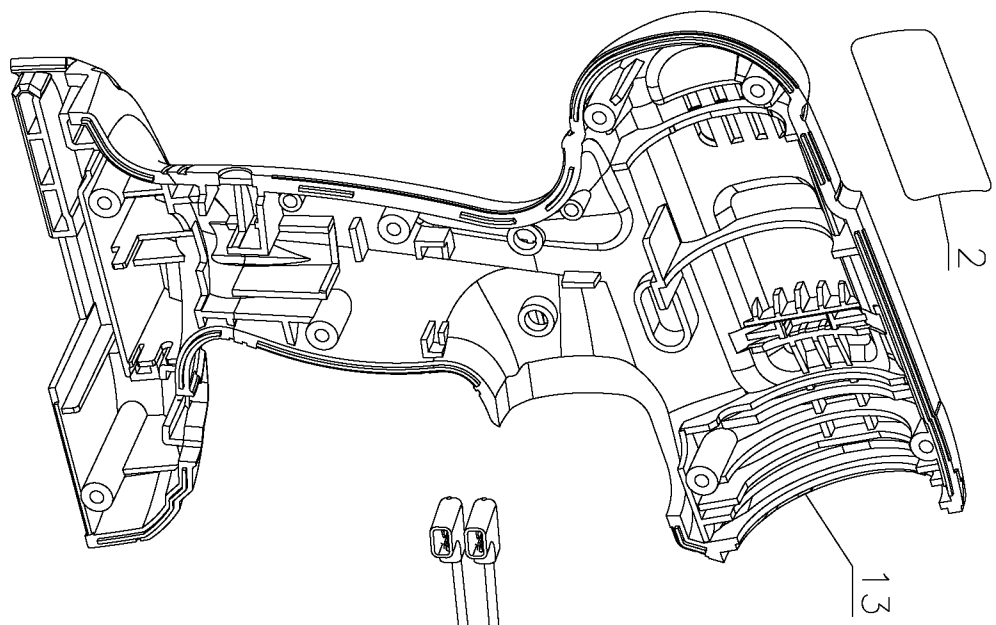
862



866

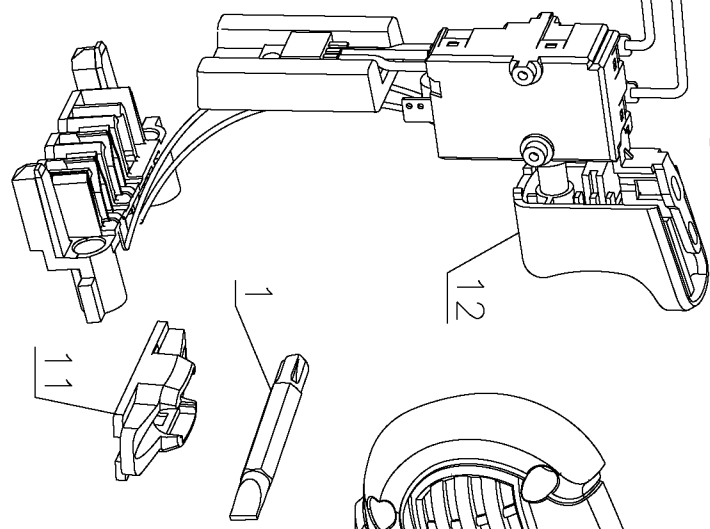


867 871



2

13

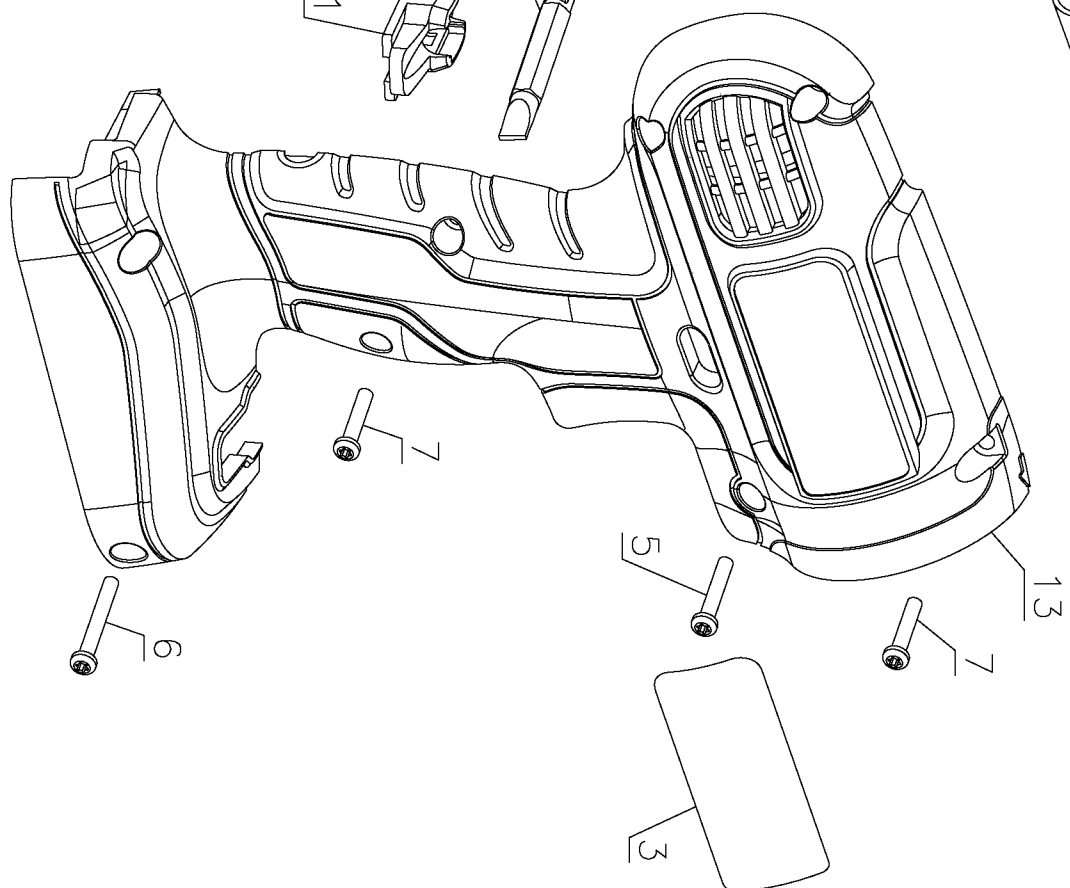


1

8

11

12



3

4

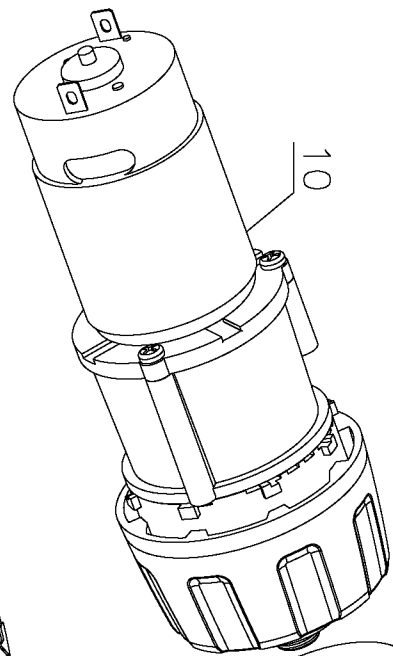
5

6

7

7

13



8

10

9

## Parts List for GCO1440SB-2 Type 2

Item Number	Part Number	Description	Qty Required
1	419581-01	BIT	1
2	90533185	LABEL, IDENT	1
3	90553695	NAMEPLATE	1
4	149518-01	SCREW	1
5	497283-01	SCREW	2
6	498099-00	SCREW	2
7	5106167-00	SCREW	4
8	90530825	ACTUATOR FWR/REV	1
9	90569040	KEYLESS CHUCK	1
10	90533045	MOTOR & GEARBOX	1
11	90533048	BIT HOLDER	1
12	90533054	SWITCH,V.S.R.	1
13	90530822-07	CLAMSHELL SET	1
862	90563809	TOOL BAG	1
866	90559487	BATTERY PACK	2
866	HPB14	BATTERY	1
867	5102026-00	BATTERY CAP	1
871	90532612	CHARGER	1