



**BOSCH**

# Slide Mitre Saw

GCM 254 D | 3 601 M53 080

---

## Table of Content

Spare parts list.....	2
Illustration - Type.....	8

## Spare parts list

Item	Part Number	Description	Illustration	Price	Quantity	Price Group
2	1 619 PC0 688	Field 220-240V	1	-	1	
2	1 619 PC0 835	Field 115-127V	1	-	1	
7	1 619 PB9 038	Cable Clip	1	-	1	
8	1 619 PC0 698	Nameplate	1	-	1	
19	1 619 PB6 120	Pan head screw	1	-	4	
20	1 619 PB9 047	Warning Label	1	-	1	
63	1 619 PB6 149	Hex Nut Q235A	1	-	2	
87	1 619 PB6 186	Countersunk-Head Screw	1	-	2	
99	1 619 PB6 210	Nut	1	-	5	
134	1 619 PB6 215	Bolt	1	-	1	
135	1 619 PB9 140	Clamping Flange	1	-	1	
136	1 619 PC0 782	Clamping Flange	1	-	1	
137	1 619 PC0 783	Screw	1	-	4	
138	1 619 PB6 221	Ball Bearing	1	-	1	
144	1 619 PC0 786	collector 40Cr	1	-	1	
146	1 619 PC0 787	Button Spring ABS	1	-	1	
147	1 619 PC0 788	Washer 65Mn	1	-	2	
148	1 619 PC0 789	Push Button f5.5xf15x1	1	-	1	
149	1 619 PC0 790	Screw Q235A	1	-	4	
150	1 619 PC0 791	Retaining ring Q235A	1	-	1	
151	1 619 PC0 792	Plate f10	1	-	1	
152	1 619 PC0 793	Pulley	1	-	1	
153	1 619 PC0 794	Belt	1	-	1	
154	1 619 PC0 795	Washer	1	-	2	
155	1 619 PC0 796	Screw	1	-	2	
156	1 619 PC0 797	Cover M6x20	1	-	1	
157	1 619 PC0 798	Pulley M4x16	1	-	1	
158	1 619 PC0 799	Screw	1	-	4	
159	1 619 PC0 800	Screw	1	-	2	
160	1 619 PB6 175	Set screw	1	-	1	
161	1 619 PC0 801	Knob	1	-	1	
162	1 619 PC0 802	Nut PP-GF25+Q235A	1	-	1	
163	1 619 PC0 803	Upper guard M6	1	-	1	
164	1 619 PC0 804	Screw YL102	1	-	2	
169	1 619 PB6 204	Shoulder Screw	1	-	2	

\* Prices shown are suggested retail prices

## Spare parts list

Item	Part Number	Description	Illustration	Price	Quantity	Price Group
170	1 619 PC0 807	Connecting Plate YL102	1	-	1	
171	1 619 PC0 808	Screw	1	-	1	
172	1 619 PC0 809	Plate M6×14	1	-	1	
177	1 619 PC0 811	Coil Spring	1	-	1	
178	1 619 PC0 812	Plate	1	-	1	
179	1 619 PC0 813	Washer	1	-	3	
180	1 619 PB6 202	Pan head screw	1	-	4	
181	1 619 PB9 153	Screw	1	-	2	
182	1 619 PC0 814	Housing Cover f6×12×0.8	1	-	1	
183	1 619 PC0 815	Screw	1	-	2	
184	1 619 PB9 126	Cover	1	-	2	
185	1 619 PC0 816	Rubber Bushing M5×10	1	-	1	
186	1 619 PC0 817	Screw	1	-	2	
187	1 619 PC0 818	Deflector ST4.8×55	1	-	1	
188	1 619 PC0 819	Cover PA6-GF30	1	-	1	
215	1 619 PC0 828	Nut	1	-	1	
217	1 619 PC0 830	Screw M6×16	1	-	1	
218	1 619 PC0 831	Screw M5×10	1	-	1	
219	1 619 PC0 832	Washer M5×8	1	-	1	
221	1 619 PC0 833	Screw 5×1.6	1	-	2	
801	1 619 PC1 024	Housing Assembly	1	-	1	
803	1 619 PC1 025	Armature assembly 220-240V	1	-	1	
810	1 619 PC1 027	Carbon-Brush Set	1	-	1	
814	1 619 PC1 029	Bearing Flange	1	-	1	
817	1 619 PC1 028	Lower guard	1	-	1	
4	1 619 PC0 675	Switch	2	-	1	
5	1 619 PC0 690	Power supply cord	2	-	1	
6	1 619 PB6 112	Grommet	2	-	1	
12	1 619 PB9 041	Capacitor	2	-	1	
30	1 619 PC0 569	Screw	2	-	2	
191	1 619 PB6 235	Pan head screw	2	-	3	
192	1 619 PC0 822	Tool Handle	2	-	1	
193	1 619 PB6 229	Electronic Module	2	-	1	
195	1 619 PB6 231	Linkage	2	-	1	
196	1 619 PC0 823	Tool Handle PP-GF25	2	-	1	

\* Prices shown are suggested retail prices

## Spare parts list

Item	Part Number	Description	Illustration	Price	Quantity	Price Group
197	1 619 PB6 228	Interlock	2	-	1	
198	1 619 PC0 824	Screw PP-GF25	2	-	1	
199	1 619 PC0 825	Carrying Handle M5×60	2	-	1	
200	1 619 PB6 239	Switch	2	-	1	
201	1 619 PB6 233	Pan head screw	2	-	1	
202	1 619 PB6 232	Terminal Block	2	-	1	
203	1 619 PB6 230	Inductor	2	-	1	
204	1 619 PC0 826	Switch Button PA6-GF30	2	-	1	
206	1 619 PB6 244	Spring	2	-	1	
207	1 619 PB6 243	Linkage	2	-	1	
211	1 619 PB6 113	Fastening Clamp	2	-	1	
220	1 619 PB9 035	Pan head screw	2	-	6	
58	1 619 PB9 084	Rotary Handle	3	-	1	
59	1 619 PC0 724	Spring 65Mn	3	-	1	
60	1 619 PC0 725	Rotary Handle PP-GF25+Q235A	3	-	1	
61	1 619 PC0 726	Connection Pin 6×40	3	-	1	
62	1 619 PC0 727	Adjustment Knob PA6-GF30	3	-	1	
64	1 619 PC0 728	Screw Q235A, M5×12	3	-	1	
65	1 619 PC0 729	Knob YL102	3	-	1	
66	1 619 PC0 730	Coil Spring 65Mn	3	-	1	
67	1 619 PC0 731	Rubber Pad POM	3	-	6	
69	1 619 PC0 732	Clamp Bracket Q235A	3	-	1	
72	1 619 PC0 733	Shaft Q235A	3	-	1	
73	1 619 PC0 734	Washer Q235A	3	-	4	
74	1 619 PB6 155	Set screw	3	-	1	
75	1 619 PC0 735	Stop Block FZ1360	3	-	2	
76	1 619 PC0 736	Screw Q235A	3	-	2	
79	1 619 PC0 738	Plain Washer f4×12×1	3	-	1	
80	1 619 PC0 739	Knob FZ1360	3	-	1	
81	1 619 PC0 740	Coil Spring 65Mn	3	-	1	
82	1 619 PC0 741	Screw M6×10	3	-	2	
83	1 619 PC0 742	Shaft	3	-	1	
85	1 619 PC0 744	Label	3	-	1	
86	1 619 PC0 745	Knob YL102	3	-	1	
88	1 619 PB6 178	Hex Nut Q235A	3	-	1	

\* Prices shown are suggested retail prices

## Spare parts list

Item	Part Number	Description	Illustration	Price	Quantity	Price Group
89	1 619 PC0 746	Washer	3	-	2	
90	1 619 PC0 747	Indicator	3	-	1	
91	1 619 PC0 748	Washer	3	-	1	
92	1 619 PC0 749	Shaft	3	-	1	
93	1 619 PC0 750	Screw	3	-	1	
94	1 619 PC0 751	Connection plate PA6-GF30	3	-	1	
95	1 619 PC0 752	Bar Q235A	3	-	1	
96	1 619 PC0 753	Cover Plate ABS	3	-	1	
97	1 619 PC0 754	O-Ring F6.3×1.8	3	-	1	
214	1 619 PB6 151	Spring	3	-	2	
216	1 619 PC0 829	Screw M6	3	-	4	
222	1 619 PC0 834	Bar M5×12	3	-	1	
884	1 619 PC1 031	Table Mitre Saw	3	-	1	
24	1 619 PC0 710	Butterfly knob	4	-	5	
39	1 619 PB6 136	Pad	4	-	1	
40	1 619 PB6 138	Spring Washer 65Mn	4	-	3	
41	1 619 PB6 137	Socket head cap screw PP-GF25+Q235A	4	-	1	
42	1 619 PC0 714	Mitre Fence YL102	4	-	1	
45	1 619 PC0 715	Extension Stand YL102	4	-	1	
46	1 619 PC0 716	Mitre Fence YL102	4	-	1	
47	1 619 PB6 142	Knob	4	-	2	
48	1 619 PC0 717	Screw M6×30	4	-	4	
50	1 619 PB9 053	Label	4	-	2	
51	1 619 PC0 718	Mitre Fence YL102	4	-	1	
52	1 619 PC0 719	Base YL102	4	-	1	
53	1 619 PC0 720	Bolt M8×50	4	-	1	
54	1 619 PB6 130	Pan head screw	4	-	2	
55	1 619 PC0 721	Bar Q235A	4	-	4	
56	1 619 PC0 722	Extension Stand YL102	4	-	1	
57	1 619 PC0 723	Screw M6×6	4	-	4	
49	1 619 PB6 171	Set screw	5	-	1	
98	1 619 PC0 755	Indicator	5	-	1	
100	1 619 PC0 756	Bolt M6×25	5	-	2	
101	1 619 PC0 757	Bolt M6×30	5	-	1	
102	1 619 PB6 166	Plain Washer	5	-	2	

\* Prices shown are suggested retail prices

## Spare parts list

Item	Part Number	Description	Illustration	Price	Quantity	Price Group
103	1 619 PB6 167	Nut	5	-	1	
104	1 619 PC0 758	Plate 65Mn	5	-	2	
105	1 619 PC0 759	Washer FZ1360	5	-	3	
106	1 619 PC0 760	Screw M4×16	5	-	3	
107	1 619 PC0 761	Bolt M4×16	5	-	1	
108	1 619 PC0 762	Cover M10	5	-	1	
109	1 619 PC0 763	Screw ABS	5	-	1	
110	1 619 PC0 764	Cover M5×16	5	-	1	
111	1 619 PC0 765	Shaft YL102	5	-	4	
112	1 619 PC0 766	Bar ?6×12,65Mn	5	-	2	
113	1 619 PC0 767	Screw	5	-	2	
114	1 619 PC0 768	Cover M5×10	5	-	2	
115	1 619 PC0 769	Pad ABS	5	-	2	
116	1 619 PC0 770	Felt Pad soft PVC	5	-	4	
117	1 619 PC0 771	Linear Roller Bearing f25×f40×1	5	-	4	
118	1 619 PC0 772	Knob f25×f40×30	5	-	1	
119	1 619 PC0 773	Arm PP-GF25+Q235A	5	-	1	
120	1 619 PB6 192	Set screw	5	-	1	
121	1 619 PC0 774	Holder YL102	5	-	1	
122	1 619 PB9 077	Laser	5	-	1	
123	1 619 PC0 775	Bracket	5	-	1	
124	1 619 PB6 173	Detent Pin Q235A	5	-	1	
125	1 619 PB6 174	O-Ring ABS	5	-	1	
126	1 619 PC0 776	Torsion Spring YL102	5	-	1	
127	1 619 PB6 162	Bushing Q235A	5	-	2	
128	1 619 PC0 777	Connection Pin 55CrSi	5	-	1	
129	1 619 PC0 778	Screw Q235A	5	-	1	
130	1 619 PC0 779	Screw M6×16	5	-	1	
131	1 619 PB6 177	Spring Washer	5	-	2	
132	1 619 PC0 780	Washer	5	-	1	
133	1 619 PC0 781	Plate f7×f12×0.8	5	-	1	
811	1 619 PC1 030	Sliding rail set	5	-	1	
210	1 619 PC0 827	Stopper	6	-	1	
651	1 619 PB9 159	Clamping wrench	6	-	1	
652	1 619 PB9 141	measuring ruler	6	-	1	

\* Prices shown are suggested retail prices

**Spare parts list**

<b>Item</b>	<b>Part Number</b>	<b>Description</b>	<b>Illustration</b>	<b>Price</b>	<b>Quantity</b>	<b>Price Group</b>
653	1 619 PB6 246	Dust Bag	6	-	1	
654	1 619 PB9 102	Mounting Clamp	6	-	1	
655	1 619 PB9 050	Supporting Block	6	-	1	

\* Prices shown are suggested retail prices

Illustration - Type - E

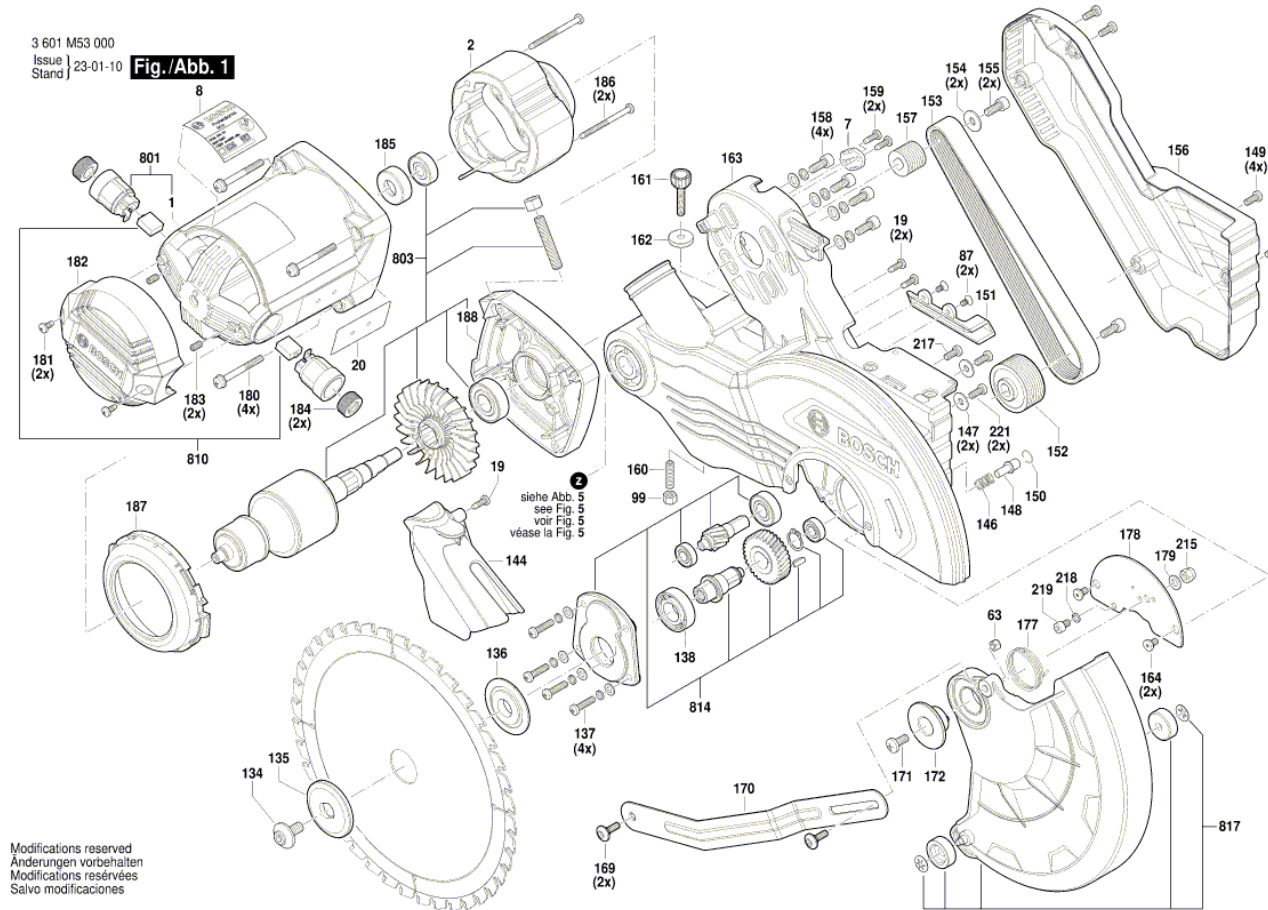
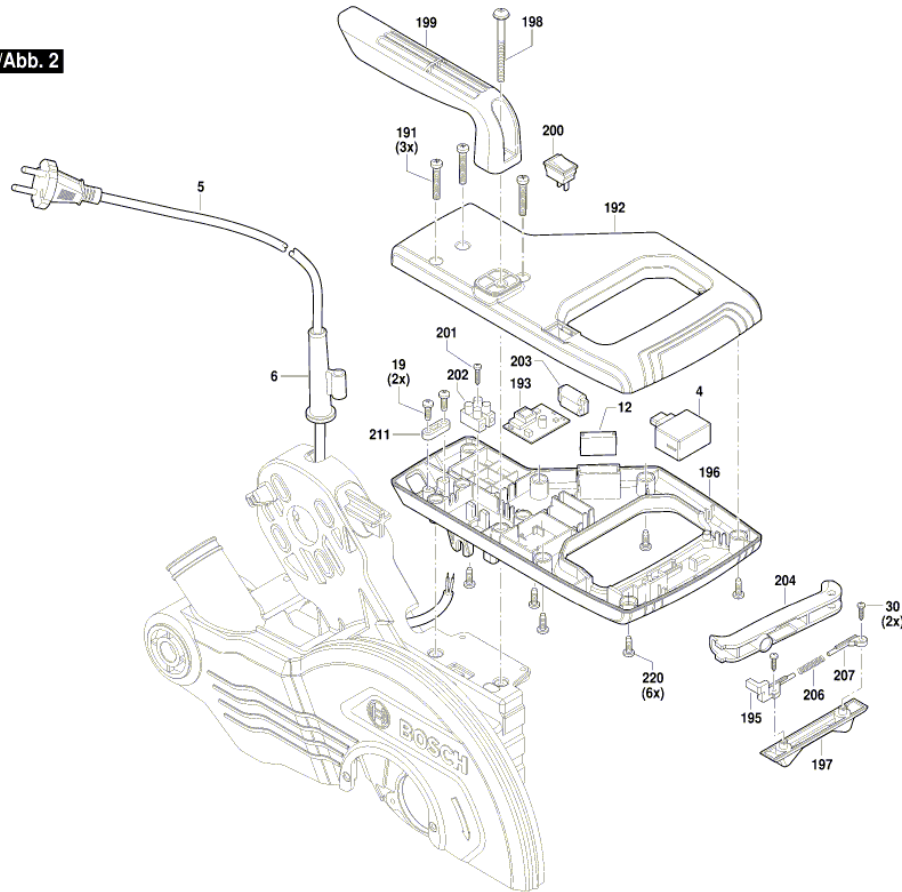




Illustration - Type - E

3 601 M53 000  
Issue | 23-01-10  
Stand | **Fig./Abb. 2**



Modifications reserved  
Änderungen vorbehalten  
Modifications réservées  
Salvo modificaciones

Illustration - Type - E

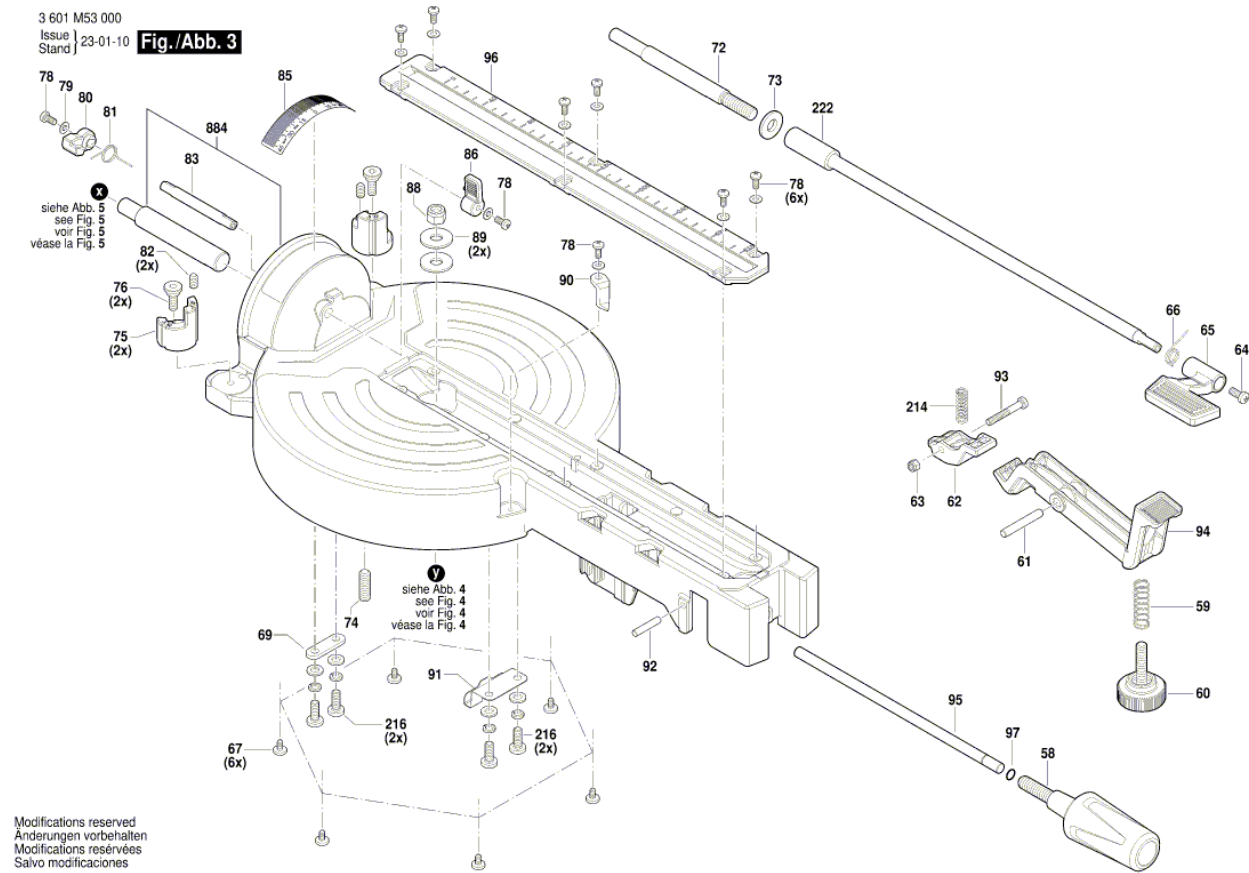
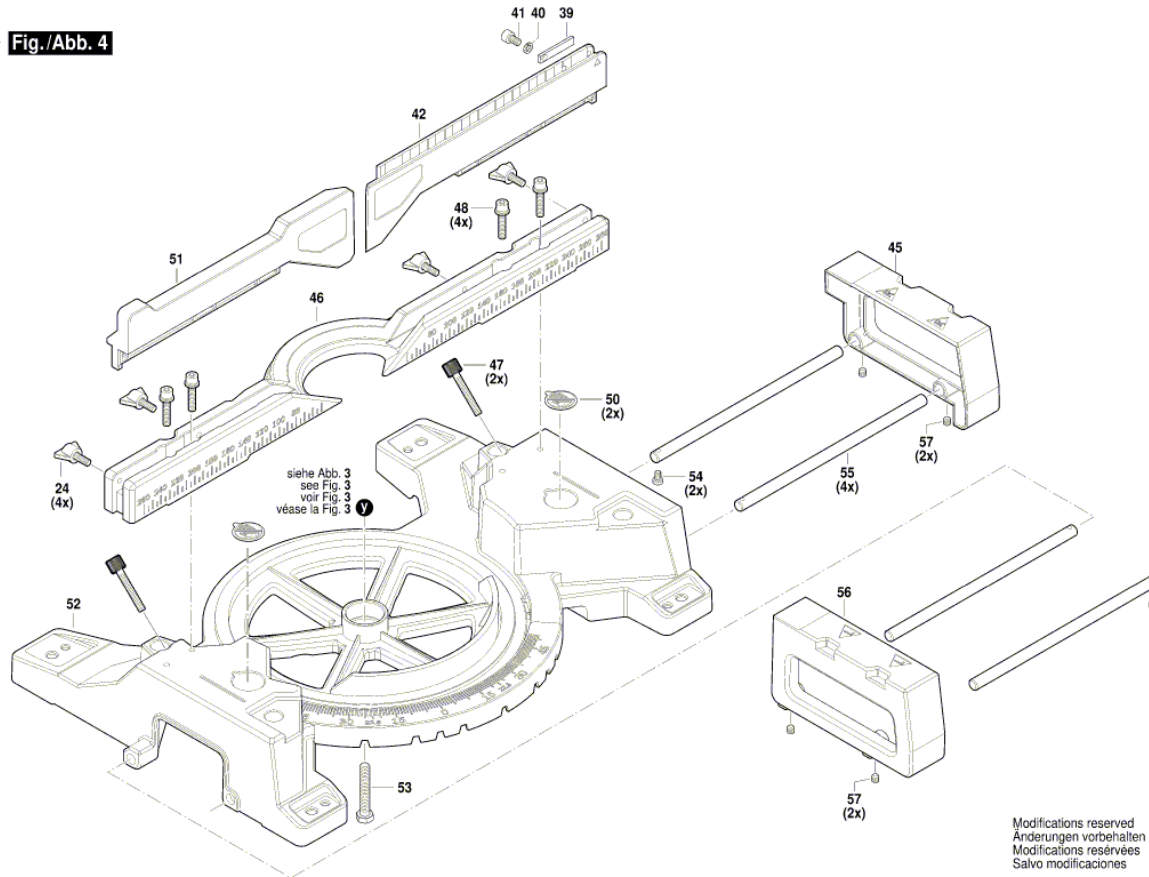


Illustration - Type - E

3 601 M53 000  
 Issue | 23-01-10  
 Stand | **Fig./Abb. 4**



Modifications reserved  
 Änderungen vorbehalten  
 Modificacions reservades  
 Salvo modificaciones

Illustration - Type - E

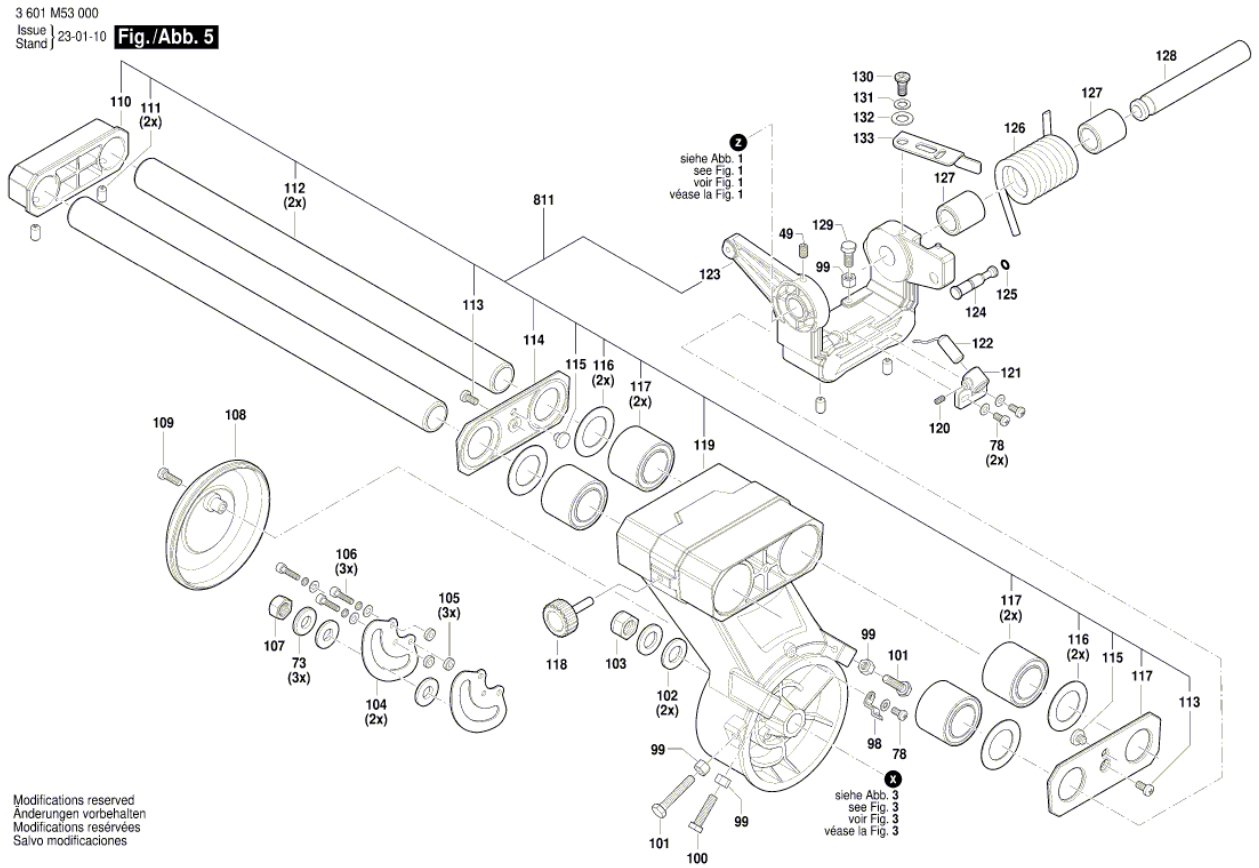
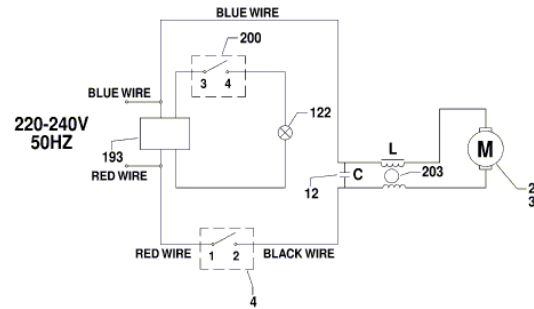


Illustration - Type - E

3 601 M53 000  
 Issue | 23-01-10  
 Stand | **Fig./Abb. 6**

Anzugsmomente  
 Torque values  
 Couple de serrage  
 Pares de apriete  
 Pos. x = x,x - x,x Nm  
 Pos. x = x,x - x,x Nm  
 Pos. x = x,x - x,x Nm  
 Pos. x = x,x - x,x Nm  
 Pos. x = x,x - x,x Nm  
 Pos. x = x,x - x,x Nm  
 Pos. x = x,x - x,x Nm  
 Pos. x = x,x - x,x Nm  
 Pos. x = x,x - x,x Nm  
 Pos. x = x,x - x,x Nm  
 Pos. x = x,x - x,x Nm  
 Pos. x = x,x - x,x Nm  
 Pos. x = x,x - x,x Nm  
 Pos. x = x,x - x,x Nm  
 Pos. x = x,x - x,x Nm  
 Pos. x = x,x - x,x Nm  
 Pos. x = x,x - x,x Nm  
 Pos. x = x,x - x,x Nm



Modifications reserved  
 Änderungen vorbehalten  
 Modifications réservées  
 Salvo modificaciones

