



BOSCH

Compound Mitre Saw

GCM18V-12GDC | 3 601 M43 010

Table of Content

Spare parts list.....	2
Illustration - Type.....	9

Spare parts list

Item	Part Number	Description	Illustration
45	1 609 B04 487	Detent plate	1
46	1 609 B00 223	Screw	1
47	1 609 B00 225	Nut	1
48	1 609 B04 471	Sliding Plate	1
49	1 609 B01 431	Supporting foot	1
55	1 609 B00 232	Locking Lever	1
56	1 609 B00 233	Locking Lever	1
57	1 609 B00 234	Screw	1
58	1 609 B00 235	Screw	1
59	1 609 B00 236	Shoulder Screw	1
61	1 609 B00 237	Compression Spring	1
62	1 609 B00 238	Shoulder Screw	1
63	1 609 B04 462	Mitre Fence	1
64	1 609 B04 463	Mitre Fence	1
65	1 609 B04 464	Mitre Fence	1
66	1 609 B04 465	Mitre Fence	1
78	1 609 B00 254	Scale	1
79	1 609 B00 255	Clamp Spring	1
81	1 609 B00 256	Wrench Socket	1
187	1 609 B06 736	Warning Label	1
190	1 609 B06 739	Warning Label	1
239	1 609 B00 533	Rubber Bushing	1
243	1 609 B00 543	Warning Plate	1
253	1 609 B02 122	Sticker	1
266	1 609 B00 602	Bolt	1
273	1 609 B00 610	Screw	1
304	1 609 B00 644	Retaining ring	1
323	1 609 B00 669	Washer	1
329	1 609 B00 678	Screw	1
333	1 609 B04 227	Adjusting Nut	1
334	1 609 B02 145	Hexagon Bolt	1
368	1 609 B02 991	Knob	1
422	1 609 B00 780	Screw	1
427	1 609 B05 115	Cable	1
433	1 609 B06 743	Warning Label	1

Compound Mitre Saw | GCM18V-12GDC | 3 601 M43 010

Spare parts list

Item	Part Number	Description	Illustration
434	1 609 B06 744	Warning Label	1
475	1 609 B02 365	Stop Plate	1
476	1 609 B00 263	Screw	1
844	1 609 B02 968	Base	1
851	1 609 B02 964	Extension Stand	1
852	1 609 B02 965	Extension Stand	1
31	1 609 B00 201	Wear Plate	2
83	1 609 B04 470	Support Plate	2
84	1 609 B00 273	Shaft	2
85	1 609 B04 725	Knob	2
96	1 609 B00 284	Knob	2
97	1 609 B00 285	Support bracket	2
98	1 609 B00 286	Cam	2
99	1 609 B04 488	Linkage	2
101	1 609 B00 289	Guide Bracket	2
103	1 609 B00 291	Compression Spring	2
104	1 609 B00 292	Locking Lever	2
105	1 609 B00 293	Lever Shaft	2
106	1 609 B00 294	Cam	2
107	1 609 B00 295	Support bracket	2
108	1 609 B00 296	Support bracket	2
109	1 609 B00 297	Tension Rod	2
111	1 609 B00 298	Tube	2
112	1 609 B00 299	Guide Bracket	2
114	1 609 B04 380	Cover	2
115	1 609 B00 302	Detent Pin	2
116	1 609 B00 303	Compression Spring	2
118	1 609 B00 305	Bolt	2
119	1 609 B00 306	Compression Spring	2
124	1 609 B04 480	Pointer	2
125	1 609 B02 988	Scale	2
126	1 609 B00 312	Plate	2
188	1 609 B06 737	Warning Label	2
189	1 609 B06 738	Warning Label	2
235	1 609 B00 523	Rubber Pad	2

Compound Mitre Saw | GCM18V-12GDC | 3 601 M43 010**Spare parts list**

Item	Part Number	Description	Illustration
244	1 609 B02 120	Sticker	2
245	1 609 B06 740	Label	2
246	1 609 B06 742	Label	2
249	1 609 B06 741	Label	2
267	1 609 B00 603	Lock Nut	2
269	1 609 B00 605	Lock Nut	2
275	1 609 B00 614	Set screw	2
277	1 609 B00 616	Set screw	2
282	1 609 B00 621	Set screw	2
288	1 609 B00 627	Screw	2
298	1 609 B00 638	Spring Pin	2
306	1 609 B00 647	Screw	2
315	1 609 B00 658	Spring Washer	2
320	1 609 B00 664	Washer	2
321	1 609 B00 665	Washer	2
322	1 609 B00 667	Washer	2
326	1 609 B00 673	Lock Nut	2
345	1 609 B00 288	Washer	2
354	1 609 B00 676	Washer	2
412	1 609 B04 477	Leaf Spring	2
414	1 609 B04 479	Rod	2
415	1 609 B04 481	Plate	2
802	1 609 B02 310	Detent Pin	2
813	1 609 B02 966	Detent	2
834	1 609 B02 315	Adjustable screw clamp	2
882	1 609 B02 967	Table	2
32	1 609 B06 456	Pivot Pin	3
42	1 609 B00 212	Washer	3
129	1 609 B06 734	Hinge	3
134	1 609 B00 335	Hinge	3
136	1 609 B00 337	Shaft	3
137	1 609 B00 338	Shaft	3
142	1 609 B00 342	Bolt	3
143	1 609 B00 343	Bushing	3
144	1 609 B00 345	Locking Lever	3

Compound Mitre Saw | GCM18V-12GDC | 3 601 M43 010**Spare parts list**

Item	Part Number	Description	Illustration
145	1 609 B00 346	Clamp Spring	3
146	1 609 B00 347	Adjusting bolt	3
147	1 609 B06 447	Plate	3
149	1 609 B06 448	Locking Pin	3
151	1 609 B00 351	Shoulder Screw	3
152	1 609 B00 352	Detent	3
153	1 609 B00 353	Retaining Plate	3
154	1 609 B00 354	Retaining Plate	3
155	1 609 B00 355	Brake Plate	3
156	1 609 B00 356	Spacer	3
157	1 609 B00 357	Pointer	3
158	1 609 B00 358	Pointer	3
159	1 609 B00 359	Adjusting bolt	3
161	1 609 B06 480	Support	3
162	1 609 B00 362	Bumper	3
164	1 609 B00 364	Shaft	3
168	1 609 B00 368	Rubber Plug	3
169	1 609 B00 369	Rubber Plug	3
247	1 609 B00 549	Warning Plate	3
265	1 609 B02 941	O-Ring	3
268	1 609 B00 604	Lock Nut	3
272	1 609 B00 609	Bolt	3
274	1 609 B00 612	Screw	3
281	1 609 B00 620	Set screw	3
285	1 609 B00 624	Screw	3
289	1 609 B00 630	Screw	3
297	1 609 B00 637	Tapping Screw	3
316	1 609 BP7 042	Washer	3
325	1 609 B00 672	Lock Nut	3
327	1 609 B00 674	Washer	3
330	1 609 B00 680	Screw	3
331	1 609 B00 681	Thrust Bearing	3
332	1 609 B00 682	Screw	3
337	1 609 B00 689	Screw	3
338	2 610 919 073	Brake Plate	3

Compound Mitre Saw | GCM18V-12GDC | 3 601 M43 010

Spare parts list

Item	Part Number	Description	Illustration
339	2 610 919 281	Washer	3
341	1 609 B00 370	Shaft	3
342	1 609 B00 690	Retaining ring	3
347	1 609 B01 607	Bushing	3
352	1 609 B00 623	Screw	3
353	1 609 B00 406	Sticker	3
428	1 609 B03 776	Stop bolt	3
429	1 609 B01 041	Hex Nut	3
831	1 609 B02 303	Hinge	3
832	1 609 B02 304	Hinge	3
833	1 609 B02 305	Hinge	3
835	1 609 B06 755	Hinge	3
2	1 607 022 67D	Brushless DC motor	4
4	2 607 202 510	Switch	4
17	1 607 233 5FM	Electronic Module	4
18	1 609 B06 759	Insulating Foil	4
19	1 609 B06 449	Support bracket	4
20	1 609 B06 320	Label	4
21	1 607 233 5GD	Electronic Module	4
22	1 600 A01 6CZ	Electronics Module	4
23	1 609 B06 284	Dummy module	4
24	1 609 B06 287	Rubber Sponge	4
25	1 609 B06 433	Box Cover	4
26	1 609 B06 434	Box Cover	4
27	1 609 B06 435	Box Cover	4
28	1 609 B06 440	Battery Holder	4
29	1 609 B06 444	Housing	4
30	1 609 B06 445	Cover	4
67	1 609 B06 468	Support bracket	4
68	1 609 B06 831	Cable Set	4
69	1 609 B06 471	LED lamp	4
74	1 609 B06 478	Protective Glass	4
75	1 609 B06 486	Plate	4
76	1 609 280 477	Compression Spring	4
80	1 609 B06 758	Ferrite	4

Spare parts list

Item	Part Number	Description	Illustration
182	1 609 B04 811	Spindle	4
183	1 609 B04 838	Compression Spring	4
184	1 609 B06 431	Switch Handle	4
185	1 609 B00 390	Button	4
191	1 609 B06 747	Label	4
216	1 609 B00 458	Quick-Lock	4
219	1 609 B03 361	Screw	4
220	1 609 B04 117	Screw	4
240	1 609 B01 483	Screw	4
303	1 609 B00 643	Retaining ring	4
311	1 609 B06 469	Screw	4
351	1 609 BP7 137	Tapping Screw	4
418	1 609 B06 443	Support bracket	4
419	1 609 B03 777	Set screw	4
420	1 609 B06 441	Button	4
435	1 609 B01 530	Compression Spring	4
828	1 609 B06 772	Chute	4
873	1 609 B06 754	Chain Cover	4
888	1 609 B05 010	Dust Bag	4
33	1 609 B06 457	Torsion Spring	5
34	1 609 B06 487	Bushing	5
35	1 609 B00 206	Wear Plate	5
36	1 609 B05 166	Chain	5
37	1 609 B00 208	Flange	5
39	1 609 B00 210	Flange	5
41	1 609 B00 211	Flange Bolt	5
70	1 609 B06 762	Ribbon cable	5
71	1 609 B06 763	Ribbon cable	5
72	1 609 B06 474	Ribbon cable	5
171	1 609 B06 464	Arm	5
172	1 609 B00 382	Knob RED	5
174	1 609 B04 810	Plate	5
175	1 609 B04 809	Output Shaft	5
179	1 609 B06 459	Gasket	5
186	1 609 B06 482	Filler	5

Spare parts list

Item	Part Number	Description	Illustration
194	1 609 B00 417	Compression Spring	5
203	1 609 B06 462	Safety Cover	5
204	1 609 B06 446	Linkage	5
205	1 609 B00 448	Shoulder Screw	5
206	1 609 B00 449	Bushing	5
211	1 609 B04 876	Shoulder Screw	5
212	1 609 B00 454	Screw	5
214	1 609 B02 467	Bumper	5
215	1 609 B00 457	Washer	5
248	1 609 B06 483	Bolt	5
258	1 609 B00 592	Key	5
262	1 609 B00 597	Bearing	5
263	1 609 B00 596	Bearing	5
279	1 609 B00 618	Set screw	5
294	1 609 B03 179	Screw	5
301	1 609 B00 641	Retaining ring	5
328	1 609 B00 675	Washer	5
336	1 609 B00 688	Washer	5
340	1 609 BP7 124	Roller	5
348	1 609 B02 178	Screw	5
349	1 609 B05 179	Screw	5
350	1 609 B06 479	Screw	5
358	1 609 B04 872	Lower guard	5
362	1 609 B01 693	Screw	5
385	1 609 B06 455	Screw	5
388	1 609 B06 458	Cover	5
398	1 609 B06 460	Cover	5
411	1 609 B02 468	T-Nut	5
808	1 609 BN0 392	Nameplate	5
853	1 609 B05 025	Lower guard	5
869	1 609 B05 017	Bolt	5
876	1 609 B06 756	Gear	5
887	1 609 B06 753	Laser module	5

Illustration - Type - E

3 601 M43 010
 Stand | 20-09-03
 Issue | 21-07-02

Fig./Abb. 1

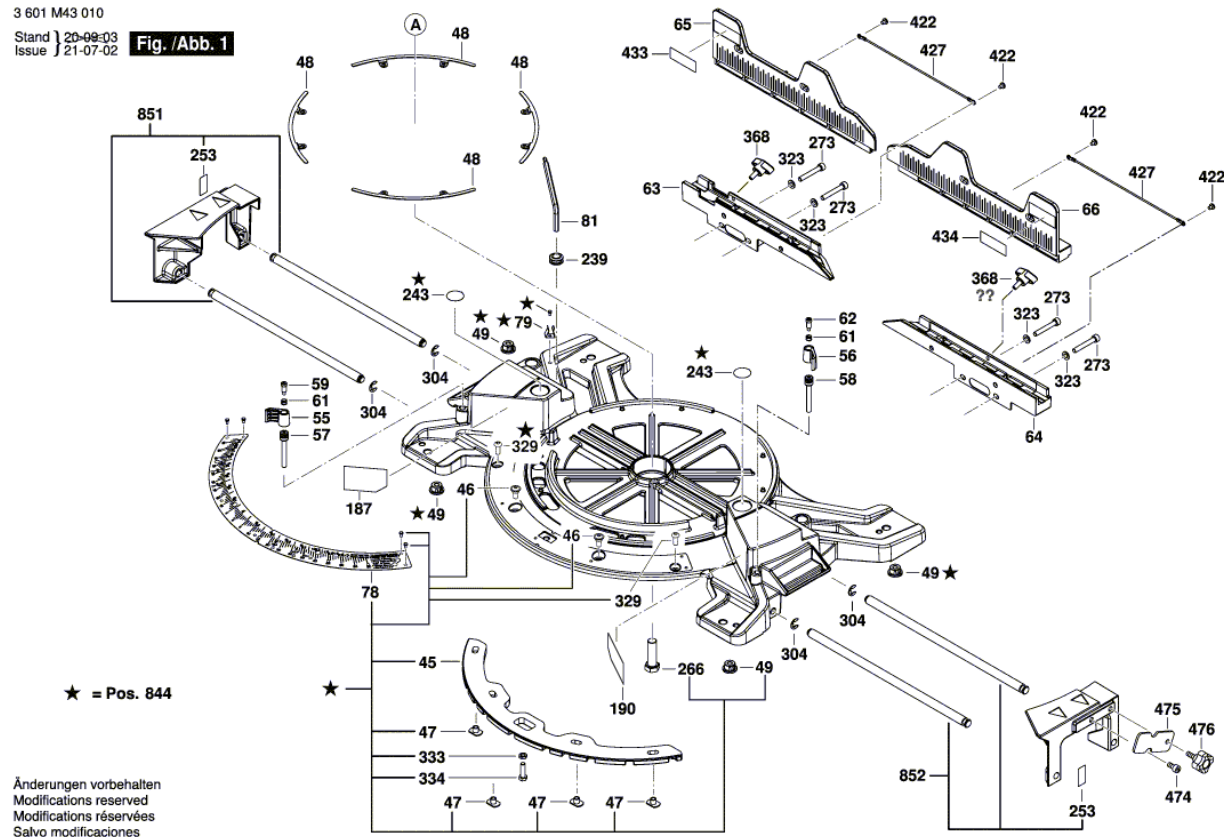


Illustration - Type - E

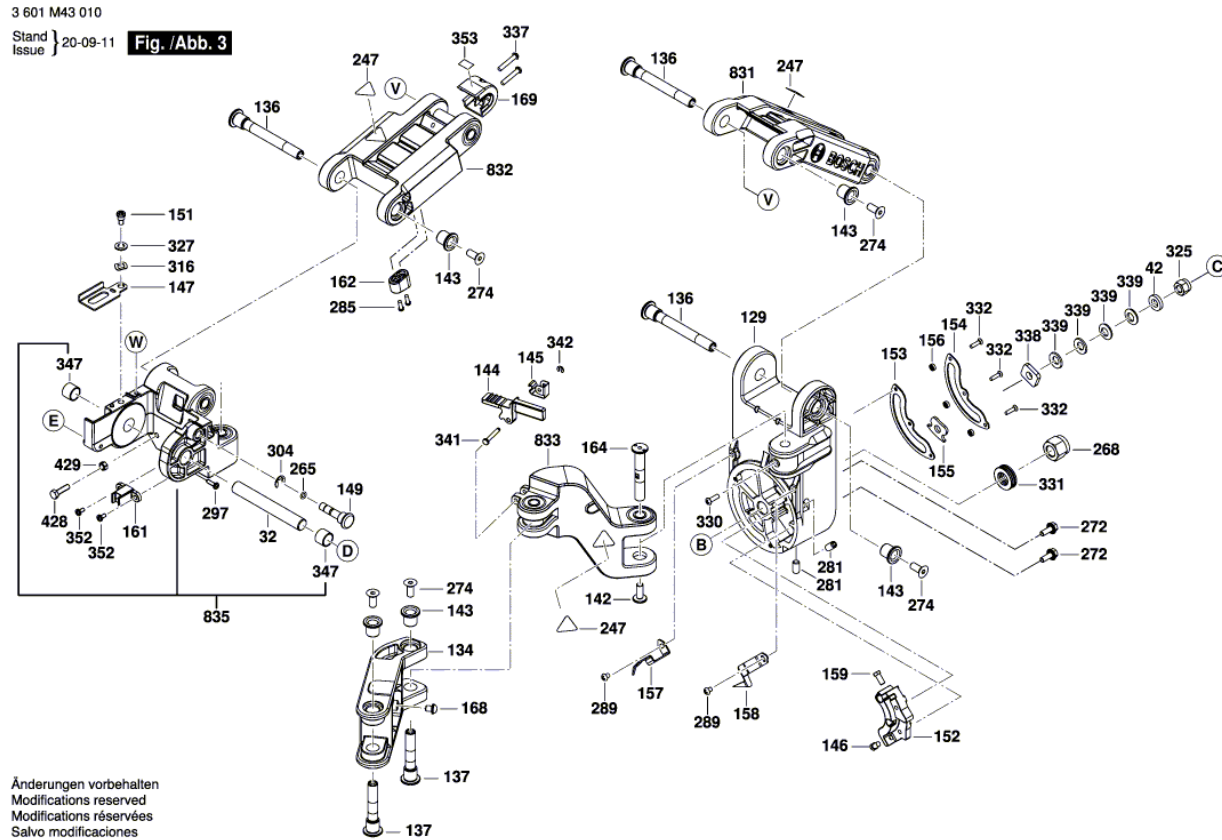


Illustration - Type - E

