

Compound Mitre Saw - 3 601 M41 010 - GCM18V-08

www.powertools-aftersaleservice.com



BOSCH

| Item | Part Number | Description | Illustration | Price | Quantity | Price Group |
|------|---------------|--------------------|--------------|---------|----------|-------------|
| 2 | 1 607 022 66T | DC motor | 2 | -,- | 1 | - |
| 4 | 2 607 202 382 | Switch | 1 | -,- | 1 | - |
| 21 | 1 609 B06 265 | Ribbon cable | 1 | -,- | 1 | - |
| 22 | 1 609 BP7 087 | Tapping Screw | 2 | -,- | 3 | - |
| 25 | 1 609 B06 252 | Box | 2 | -,- | 1 | - |
| 26 | 1 609 B06 253 | Cover | 2 | -,- | 1 | - |
| 28 | 1 619 P01 642 | Compression Spring | 1 | \$ 0.68 | 1 | 10 |
| 29 | 1 609 B04 070 | Cap | 2 | \$ 0.68 | 1 | 10 |
| 30 | 1 609 B06 268 | Locking Lever | 1 | -,- | 1 | - |
| 31 | 1 609 B06 269 | Compression Spring | 1 | -,- | 1 | - |
| 32 | 1 609 B04 073 | Guide Bracket | 2 | \$ 1.12 | 1 | 11 |
| 38 | 1 609 BP7 084 | Screw | 5 | -,- | 1 | - |
| 39 | 1 609 B06 570 | Cover | 1 | -,- | 1 | - |
| 41 | 1 609 B06 291 | Extension | 5 | -,- | 1 | - |
| 42 | 1 609 B06 259 | Mitre Fence | 5 | -,- | 1 | - |
| 44 | 1 609 B06 261 | Mitre Fence | 5 | -,- | 1 | - |
| 45 | 1 609 B02 206 | Screw | 5 | -,- | 2 | - |
| 46 | 1 609 B05 238 | Table | 6 | -,- | 1 | - |
| 51 | 1 609 B03 746 | End cap | 4 | \$ 2.58 | 1 | 15 |
| 52 | 1 609 B06 251 | Handle | 1 | -,- | 1 | - |
| 56 | 1 609 B00 780 | Screw | 5 | \$ 0.68 | 4 | 10 |
| 57 | 1 609 BP7 326 | Knob | 5 | -,- | 1 | - |
| 58 | 1 609 B03 708 | Scale | 5 | -,- | 1 | - |
| 59 | 1 609 B05 382 | Knurled Screw | 5 | \$ 0.68 | 1 | 10 |
| 60 | 1 609 B05 298 | Cover | 3 | \$ 0.68 | 1 | 10 |
| 61 | 1 609 B00 863 | Plain Washer | 1 | -,- | 1 | - |
| 62 | 1 609 B00 717 | Pointer | 6 | \$ 0.68 | 1 | 10 |
| 63 | 1 609 B03 714 | Wear Plate | 5 | \$ 1.36 | 1 | 12 |
| 66 | 1 609 B01 949 | Nut | 5 | \$ 0.68 | 3 | 10 |
| 67 | 1 609 B06 571 | Washer | 1 | -,- | 1 | - |
| 70 | 1 609 B00 682 | Screw | 5 | \$ 0.68 | 1 | 10 |
| 72 | 1 609 B05 203 | Bolt | 5 | \$ 0.68 | 1 | 10 |
| 74 | 1 609 B00 704 | Lock Nut | 6 | \$ 0.68 | 1 | 10 |

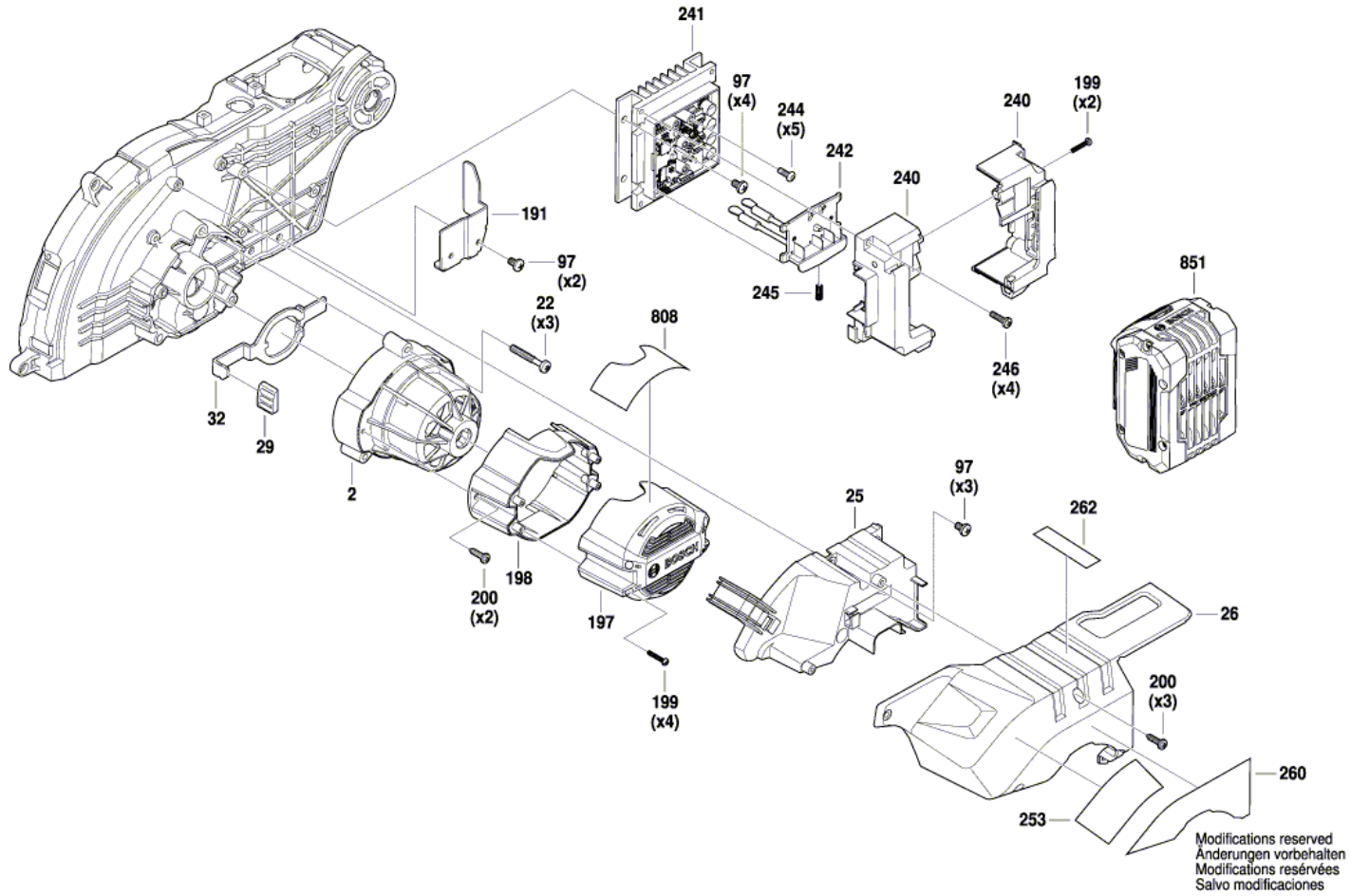
| Item | Part Number | Description | Illustration | Price | Quantity | Price Group |
|------|---------------|---------------------------|--------------|-----------|----------|-------------|
| 75 | 1 609 B00 670 | Washer | | 4 \$ 0.68 | 2 | 10 |
| 77 | 1 609 B00 705 | Rubber Bushing | | 5 \$ 0.68 | 4 | 10 |
| 80 | 1 609 BP7 098 | Rubber Ring | | 5 \$ 0.68 | 1 | 10 |
| 81 | 1 609 BP7 026 | Hexagon Socket Screw Key | | 5 \$ 0.68 | 1 | 10 |
| 84 | 1 609 B05 242 | Support Plate | | 6 -,- | 1 | - |
| 86 | 1 609 B05 240 | Rod | | 6 -,- | 1 | - |
| 87 | 1 609 B04 079 | Knob | | 6 \$ 2.58 | 1 | 15 |
| 88 | 1 609 B05 241 | Lever | | 6 -,- | 1 | - |
| 89 | 1 609 B02 211 | Spring | | 6 -,- | 1 | - |
| 90 | 1 609 B01 664 | Screw | | 1 \$ 0.68 | 2 | 10 |
| 92 | 1 609 B05 115 | Cable | | 5 \$ 1.12 | 1 | 11 |
| 93 | 1 609 BP7 341 | Contact strap | | 6 \$ 0.68 | 1 | 10 |
| 94 | 1 609 B03 727 | Supporting foot | | 6 \$ 0.68 | 1 | 10 |
| 95 | 1 609 B03 729 | Wear Plate | | 6 \$ 0.68 | 1 | 10 |
| 96 | 1 609 B04 108 | Pivot Shaft | | 6 \$ 2.01 | 1 | 14 |
| 97 | 1 609 B04 086 | Screw | | 1 \$ 0.68 | 2 | 10 |
| 98 | 1 609 B03 723 | Screw | | 6 \$ 0.68 | 1 | 10 |
| 99 | 1 609 B01 324 | Plain Washer | | 6 \$ 0.68 | 6 | 10 |
| 101 | 1 609 B01 462 | Shoulder Screw | | 1 \$ 0.68 | 2 | 10 |
| 105 | 1 609 BP7 143 | Set screw | | 6 \$ 0.68 | 2 | 10 |
| 106 | 1 609 B05 236 | Clamping Bar | | 5 \$ 1.70 | 1 | 13 |
| 107 | 1 609 B05 268 | Screw | | 5 \$ 0.68 | 2 | 10 |
| 111 | 1 609 B01 668 | Washer | | 1 \$ 0.68 | 4 | 10 |
| 114 | 1 609 B03 739 | Stop Plate | | 4 \$ 0.68 | 1 | 10 |
| 118 | 1 609 B04 134 | Wear Plate | | 3 \$ 0.68 | 2 | 10 |
| 119 | 1 609 B03 758 | Pointer | | 3 \$ 0.68 | 1 | 10 |
| 120 | 1 609 BP7 053 | Compression Spring | | 3 -,- | 2 | - |
| 121 | 1 609 BP7 045 | Plain Washer | | 3 -,- | 1 | - |
| 122 | 1 609 B03 749 | Hex Socket Head Cap Screw | | 4 \$ 0.68 | 1 | 10 |
| 123 | 1 609 BP7 343 | Contact strap | | 3 \$ 0.68 | 1 | 10 |
| 124 | 1 609 B03 755 | Knob | | 3 \$ 1.12 | 1 | 11 |
| 125 | 1 609 B03 762 | Rotor | | 6 -,- | 1 | - |
| 126 | 1 609 B03 763 | Felt Washer | | 3 \$ 0.68 | 4 | 10 |
| 127 | 1 609 B03 769 | Bolt | | 3 -,- | 1 | - |
| 128 | 1 609 B02 215 | Lever | | 3 -,- | 1 | - |
| 129 | 1 609 BP7 081 | Screw | | 3 -,- | 1 | - |
| 130 | 1 609 B03 773 | Friction Plate | | 3 \$ 3.73 | 1 | 17 |
| 131 | 1 609 B01 041 | Hex Nut | | 3 \$ 0.68 | 3 | 10 |
| 132 | 1 609 B03 776 | Stop bolt | | 3 \$ 0.68 | 2 | 10 |
| 133 | 1 609 B03 771 | Pivot Pin | | 4 \$ 2.58 | 1 | 15 |
| 134 | 1 609 B06 272 | Screw | | 4 -,- | 2 | - |
| 136 | 1 609 B03 767 | Detent Pin | | 4 \$ 0.68 | 1 | 10 |
| 137 | 1 609 B03 757 | Clip | | 4 \$ 0.68 | 1 | 10 |
| 138 | 1 609 B00 601 | O-Ring | | 4 \$ 0.68 | 1 | 10 |
| 140 | 1 609 B03 745 | Handle Plate | | 4 \$ 1.70 | 2 | 13 |
| 141 | 1 609 B03 747 | Carrying Handle | | 4 \$ 4.31 | 1 | 18 |
| 142 | 1 609 B03 768 | Tapping Screw | | 4 \$ 0.68 | 1 | 10 |
| 143 | 1 609 B03 753 | Slide Stop | | 3 \$ 0.68 | 1 | 10 |
| 144 | 1 609 B03 752 | Special Nut | | 4 \$ 1.12 | 1 | 11 |
| 145 | 1 609 B06 667 | O-Ring 12,2 x 3,6 BLACK | N/A | -,- | 1 | - |
| 146 | 1 609 B00 660 | Spring Washer | | 4 \$ 0.68 | 2 | 10 |
| 147 | 1 609 B03 795 | Shoulder Screw | | 4 \$ 0.68 | 1 | 10 |
| 148 | 1 609 B00 382 | Knob RED | | 4 \$ 2.94 | 1 | 16 |

| Item | Part Number | Description | Illustration | Price | Quantity | Price Group |
|------|---------------|-----------------------|--------------|---------|----------|-------------|
| 149 | 1 609 B00 417 | Compression Spring | 4 | \$ 0.68 | 1 | 10 |
| 150 | 1 609 B02 203 | Retaining Plate | 3 | -,- | 1 | - |
| 151 | 1 609 B03 766 | Retaining Plate | 3 | \$ 0.68 | 1 | 10 |
| 152 | 2 610 027 045 | Dust Extraction | 4 | -,- | 1 | - |
| 153 | 1 609 B03 777 | Set screw | 4 | \$ 0.68 | 2 | 10 |
| 158 | 2 610 027 045 | Dust Extraction | 4 | -,- | 1 | - |
| 159 | 2 610 027 046 | Bracket | 4 | -,- | 1 | - |
| 160 | 1 609 B01 561 | Screw | 3 | \$ 0.68 | 6 | 10 |
| 161 | 1 609 B05 201 | Shoulder Screw | 1 | \$ 0.68 | 1 | 10 |
| 162 | 1 609 B00 623 | Screw | 4 | \$ 0.68 | 2 | 10 |
| 164 | 1 609 B01 690 | Screw | 3 | \$ 0.68 | 1 | 10 |
| 167 | 1 609 B01 602 | Wear Plate | 1 | \$ 0.68 | 2 | 10 |
| 168 | 1 609 B04 188 | Lower guard | 1 | \$ 6.57 | 1 | 21 |
| 169 | 1 609 B04 001 | Linkage | 1 | \$ 5.72 | 1 | 20 |
| 170 | 1 609 B04 002 | Cover | 1 | \$ 0.68 | 1 | 10 |
| 171 | 1 609 B04 004 | Spring | 1 | \$ 0.68 | 1 | 10 |
| 172 | 1 609 BP7 145 | Screw | 1 | \$ 0.68 | 1 | 10 |
| 173 | 1 609 B05 251 | Spring Clip | 1 | -,- | 1 | - |
| 174 | 1 609 B04 235 | Ball Bearing | 1 | \$ 2.58 | 1 | 15 |
| 176 | 1 609 B04 163 | Screw | 4 | -,- | 2 | - |
| 178 | 1 609 B00 974 | Lock Nut | 1 | \$ 1.12 | 2 | 11 |
| 179 | 1 609 BP7 134 | Tapping Screw | 1 | \$ 0.68 | 3 | 10 |
| 182 | 1 609 B04 205 | Set screw | 1 | \$ 0.68 | 2 | 10 |
| 184 | 1 609 BT4 033 | Nut | 1 | \$ 0.68 | 1 | 10 |
| 185 | 1 609 BP7 068 | Spring retaining ring | 1 | \$ 1.12 | 1 | 11 |
| 186 | 1 609 BP7 050 | Washer | 1 | \$ 1.12 | 1 | 11 |
| 187 | 1 609 B03 774 | Ball Bearing | 3 | \$ 4.94 | 4 | 19 |
| 188 | 1 609 B03 780 | Spacer | 3 | \$ 0.68 | 2 | 10 |
| 189 | 1 600 200 029 | Plain bearing | 1 | \$ 1.36 | 1 | 12 |
| 190 | 1 609 B04 017 | Deflector | 1 | -,- | 1 | - |
| 191 | 1 609 B06 271 | Chip Deflector | 2 | -,- | 1 | - |
| 192 | 1 609 B04 201 | Clamping Flange | 1 | \$ 2.58 | 1 | 15 |
| 193 | 1 609 B06 290 | Clamping Flange | 1 | \$ 2.01 | 1 | 14 |
| 194 | 1 609 B05 364 | Flange Bolt | 1 | \$ 0.68 | 1 | 10 |
| 195 | 1 609 B04 020 | Wheel | 1 | \$ 0.68 | 1 | 10 |
| 197 | 1 609 B06 264 | Housing Cover | 2 | -,- | 1 | - |
| 198 | 1 609 B06 286 | Housing Cover | 2 | -,- | 1 | - |
| 199 | 2 609 110 353 | Torx Oval-Head Screw | 2 | \$ 0.68 | 6 | 10 |
| 200 | 1 609 B00 637 | Tapping Screw | 1 | \$ 0.68 | 6 | 10 |
| 201 | 1 609 B00 973 | Screw | 1 | \$ 0.68 | 2 | 10 |
| 202 | 1 609 B06 270 | Screw | 6 | -,- | 4 | - |
| 203 | 1 609 B00 458 | Quick-Lock | 1 | \$ 0.68 | 1 | 10 |
| 212 | 1 609 B04 208 | Screw | 1 | \$ 0.68 | 1 | 10 |
| 215 | 1 609 B04 664 | Chip Deflector | 1 | \$ 2.01 | 1 | 14 |
| 225 | 1 609 B06 301 | Cover | 1 | -,- | 1 | - |
| 231 | 1 609 B06 266 | Ribbon cable | 1 | -,- | 1 | - |
| 232 | 1 609 B00 691 | Nut | 4 | \$ 0.68 | 2 | 10 |
| 234 | 1 609 B03 791 | rubber lip | 4 | \$ 0.68 | 1 | 10 |
| 235 | 1 609 B04 225 | Plain Washer | 4 | \$ 0.68 | 2 | 10 |
| 236 | 1 609 B04 220 | Rubber Strip | 1 | \$ 0.68 | 1 | 10 |
| 238 | 1 609 B04 222 | Rubber Strip | 4 | \$ 0.68 | 1 | 10 |
| 239 | 1 609 B00 633 | Screw | 4 | \$ 0.68 | 2 | 10 |
| 240 | 1 609 B06 262 | Battery Holder | 2 | -,- | 1 | - |

| Item | Part Number | Description | Illustration | Price | Quantity | Price Group |
|------|---------------|---|--------------|-----------|----------|-------------|
| 241 | 1 607 233 5F8 | Electronic Module | 2 | -,- | 1 | - |
| 242 | 1 609 B06 258 | Contact retainer | 2 | -,- | 1 | - |
| 244 | 1 609 B03 361 | Screw | 2 | -,- | 5 | - |
| 245 | 1 609 280 477 | Compression Spring | 2 | \$ 0.66 | 1 | 00 |
| 246 | 1 609 B05 353 | Screw | 2 | -,- | 4 | - |
| 247 | 1 609 B06 267 | Cover | 1 | -,- | 1 | - |
| 253 | 1 609 B06 281 | Label | 2 | -,- | 1 | - |
| 257 | 1 609 B06 316 | Label | 6 | -,- | 1 | - |
| 258 | 1 609 B06 317 | Label | 6 | -,- | 1 | - |
| 259 | 1 609 B06 318 | Label | 6 | -,- | 1 | - |
| 260 | 1 609 B06 282 | Label | 2 | -,- | 1 | - |
| 261 | 1 609 B06 319 | Label | 6 | -,- | 1 | - |
| 262 | 1 609 B06 320 | Label | 2 | -,- | 1 | - |
| 284 | 1 609 B00 703 | Plain Washer | 5 | \$ 0.68 | 2 | 10 |
| 808 | 1 609 BN0 377 | Nameplate | 2 | -,- | 1 | - |
| 822 | 1 609 B01 726 | Laser | 1 | -,- | 1 | - |
| 825 | 1 609 B04 127 | Dust-Protection Cover | 1 | -,- | 1 | - |
| 840 | 1 609 B06 665 | Base | 5 | -,- | 1 | - |
| 843 | 1 609 B06 578 | Mitre Fence | 5 | -,- | 1 | - |
| 844 | 1 609 B06 666 | LED lamp | 1 | -,- | 1 | - |
| 847 | 1 609 B06 579 | Pivot | 3 | -,- | 1 | - |
| 848 | 1 609 B06 663 | Yoke | 4 | -,- | 1 | - |
| 849 | 1 609 B06 664 | Arm | 1 | -,- | 1 | - |
| 850 | 1 609 B05 349 | Gear cover | 1 | \$ 5.72 | 1 | 20 |
| 851 | 1 607 A35 0CH | Battery Pack GBA18V80 8.0Ah ProCore SCM | 2 | \$ 148.00 | 1 | 49 |
| 852 | 1 609 B04 224 | Clamp | 5 | \$ 8.70 | 1 | 23 |
| 853 | 2 607 226 257 | Fast Charger USA GAL 18V-40 120V/ 4A/ 10.8-18V | N/A | \$ 26.50 | 1 | 34 |
| 854 | 1 609 B06 278 | Dust Bag | 4 | -,- | 1 | - |
| 855 | 1 609 B06 572 | Gear | 1 | -,- | 1 | - |
| 866 | 1 609 B04 124 | Torsion Spring | 4 | \$ 6.57 | 1 | 21 |

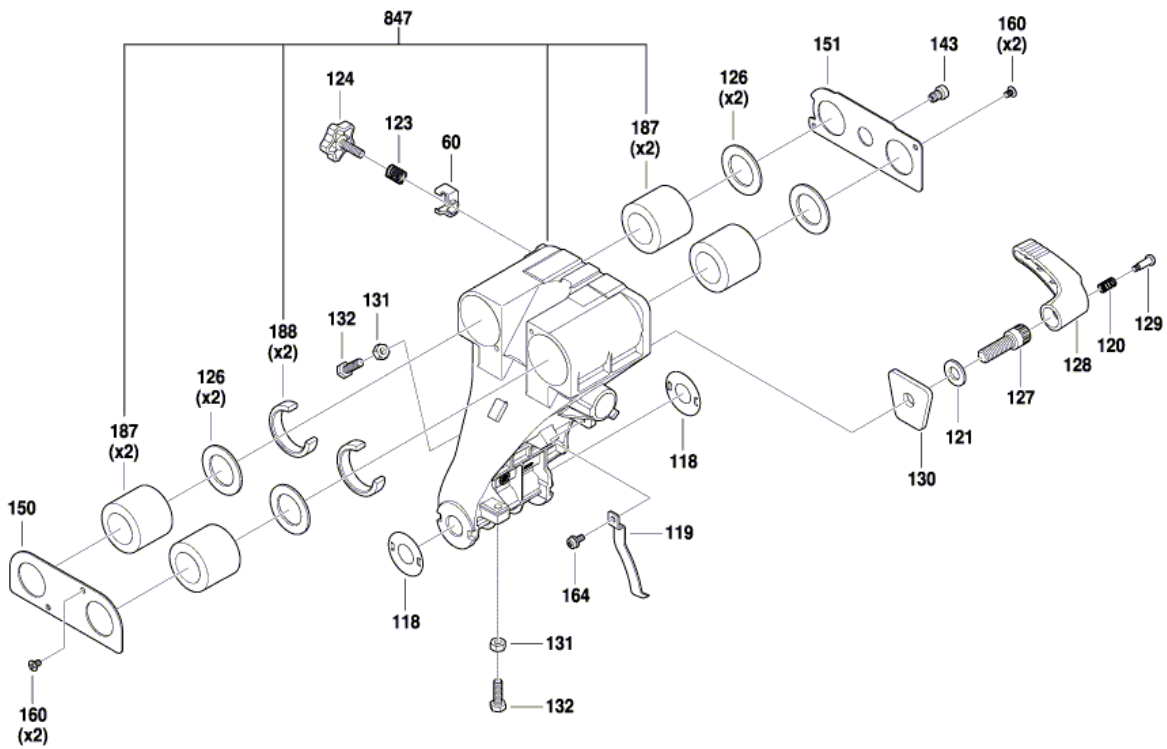
3 601 M41 010
 Issue | 19-06-25
 Stand |

Fig./Abb. 2

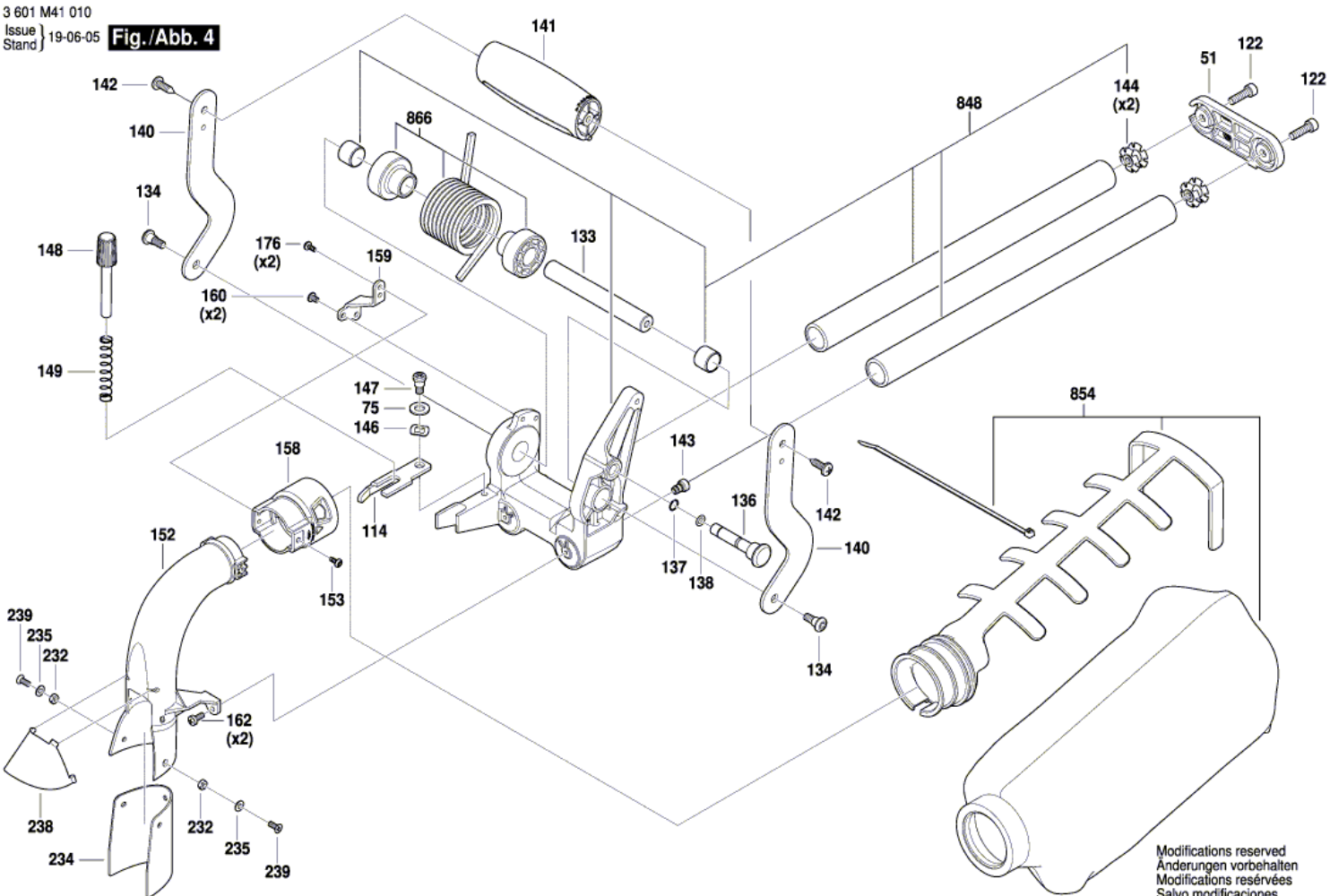


3 601 M41 010
Issue | 19-06-05
Stand.)

Fig./Abb. 3

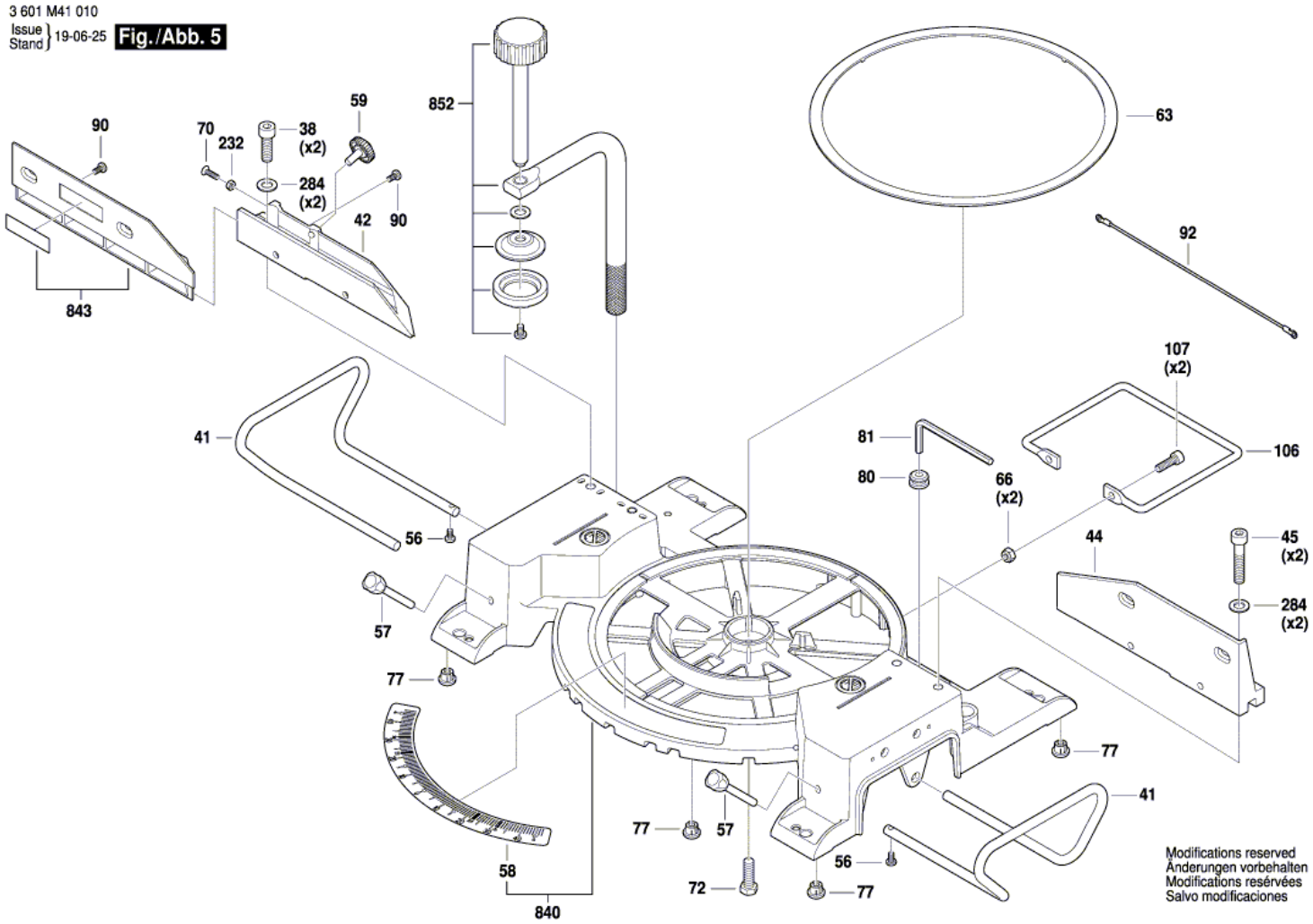


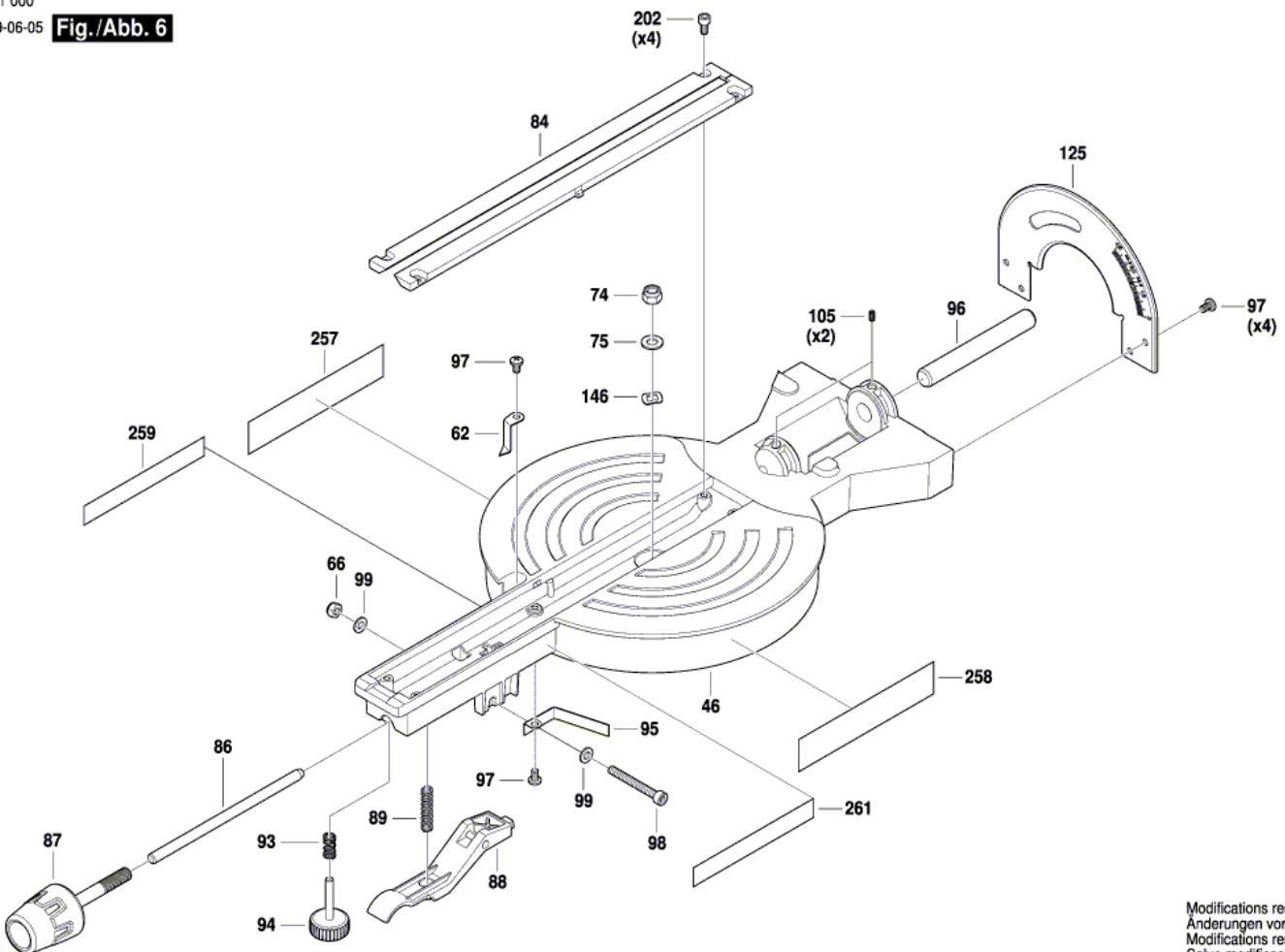
Modifications reserved
Änderungen vorbehalten
Modifications réservées
Salvo modificaciones



3 601 M41 010
 Issue | 19-06-05
 Stand.) **Fig./Abb. 4**

Modifications reserved
 Änderungen vorbehalten
 Modifications réservées
 Salvo modificaciones





3 601 M41 000
Issue | 19-06-05
Stand)

Fig./Abb. 6

Modifications reserved
Änderungen vorbehalten
Modifications réservées
Salvo modificaciones

Information subject to change without further notice.