

Illustration - Type - E

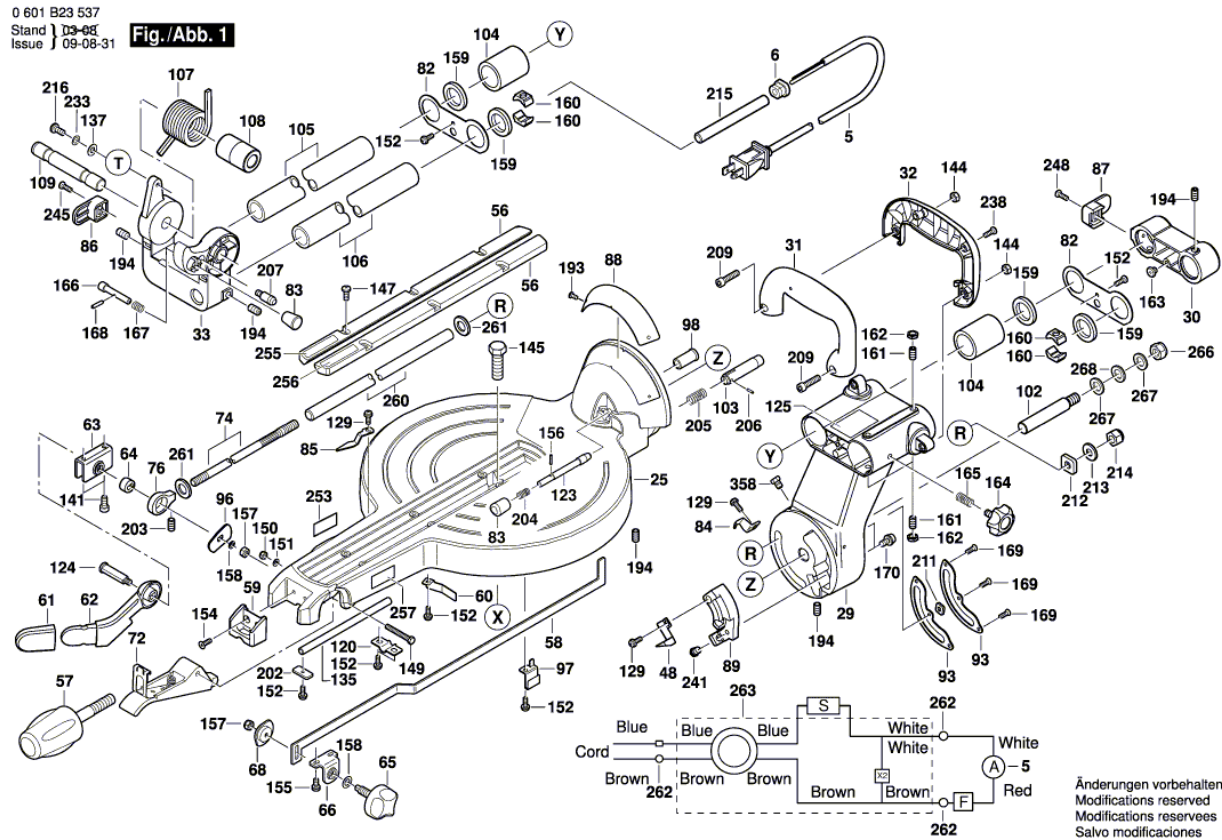


Illustration - Type - E

0 601 B23 537
 Stand } 03-04-22
 Issue } **Fig./Abb. 2**

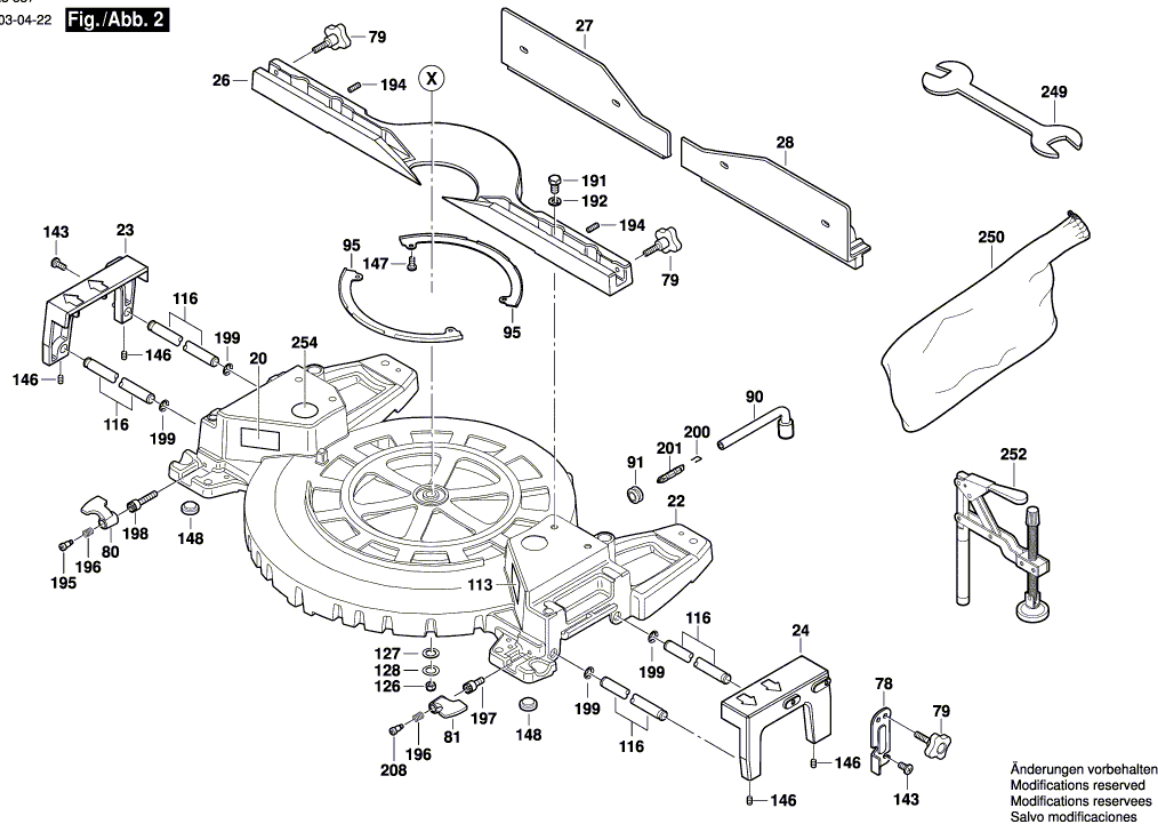


Illustration - Type - E

0 601 B23 537
 Stand } 12-03
 Issue } 18-06-28

Fig./Abb. 3

