



BOSCH

Compound Mitre Saw

GCM 10 | 0 601 B20 043

Table of Content

Spare parts list.....	2
Illustration - Type.....	7

Spare parts list

Item	Part Number	Description
1	1 609 203 J10	Motor Housing
2	1 609 203 J05	Stator
3	1 609 203 J08	Armature
4	1 609 203 H99	On-Off Switch
5	1 609 902 094	Power supply cord
6	1 609 203 J00	Cord guard
7	1 609 203 J01	Fastening Clamp
9	1 609 902 641	Nameplate
13	1 609 902 006	Screw
14	1 609 902 079	Ball Bearing
16	1 609 203 J12	Brush Holder
17	1 609 902 080	Ball Bearing
19	1 609 203 J06	Air-Deflector Ring
20	1 609 203 J11	Gear Housing
21	1 609 203 J14	Cover
22	1 609 203 J22	Bearing Flange
23	1 609 203 J09	Screw and washer assembly
24	1 609 203 J25	Grinding Spindle
25	1 609 203 J24	Parallel Key
26	2 610 910 754	Spring Wire
27	1 609 203 J26	Cover
28	1 609 203 J21	Spring Washer
30	1 609 902 177	Switch Button
31	1 609 203 H98	Spring
32	2 610 911 458	Screw
33	1 609 203 J19	Toothed Gear
34	1 609 203 J20	Ball Bearing
35	1 609 203 J18	Bearing
36	1 609 203 H79	Lever
37	2 610 910 849	Collar
38	1 619 P05 836	Cover
46	1 609 203 H96	Handle
49	2 610 355 338	Screw
56	2 610 910 848	Pivot
59	2 610 910 842	Pivot

Spare parts list

Item	Part Number	Description
62	2 610 910 781	Screw
63	2 610 328 605	Screw
64	1 619 P04 100	Knob
65	1 619 P05 837	Bumper
66	2 610 911 465	Washer
69	2 615 297 323	Screw
73	2 610 911 451	Screw
74	2 610 911 460	Screw
76	2 610 910 751	Sleeve
78	2 610 910 797	Screw
81	1 609 203 J23	Cross Recessed-Head Screw
87	1 609 203 L64	Screw
91	2 610 910 752	Spring Lock Washer
99	2 610 911 461	Screw
101	1 609 902 061	Flange
102	1 609 203 H81	Flange
103	2 610 912 560	Torsion Spring
104	2 610 910 753	Sleeve
108	2 610 912 561	Reflector
110	1 609 902 099	Handle
111	1 609 902 100	Handle
128	2 610 990 522	Bearing
129	2 610 990 518	Roller
132	1 609 902 114	Safety Cover
135	2 608 601 171	Suction Socket
140	2 610 912 562	Retaining snap ring
142	1 609 902 005	Screw
148	2 610 910 799	Screw
150	2 610 911 467	Stud bolt
151	2 610 911 450	Washer
153	2 610 990 521	Spring retaining ring
192	1 609 203 G81	Ferrite Core
193	1 609 203 G82	Condenser
210	1 609 902 081	Connection Block
211	1 609 902 082	Cable Connector

Spare parts list

Item	Part Number	Description
212	1 609 902 083	Ferrite Core
213	1 609 902 111	Button
214	1 609 902 112	Compression Spring
219	1 609 902 665	Nameplate
650	2 610 911 939	Dust Bag
670	2 610 919 255	Fitting
810	1 619 P04 451	Carbon-Brush Set
864	1 619 P04 162	Locking Pin
898	1 619 P03 786	Protective Cover
40	2 610 908 270	Washer
41	2 610 912 548	Screw
42	2 610 912 549	Hex Nut
44	1 609 203 H94	Angle Joint
45	2 610 355 267	Screw
47	2 610 358 172	Nut
48	2 610 912 551	Nut
50	2 610 907 816	Base Plate
51	2 610 912 553	O-Ring
52	1 619 P05 835	Retaining Pin
53	2 610 910 765	Compression Spring
54	2 610 910 838	Tensioning Lever
55	2 615 297 329	Washer
58	2 610 907 847	Locking Bolt
67	2 610 910 788	O-Ring
71	2 610 910 790	Screw
72	2 610 910 792	Washer
75	2 610 910 786	Set screw
77	2 610 910 760	Nut
83	2 610 910 779	Washer
86	2 610 911 466	Screw M 8x0.8-10
88	2 610 910 762	Screw
89	2 610 910 766	Sleeve
90	2 610 355 264	Plain Washer
93	2 610 992 377	Stud bolt M8x1,25-30
94	2 610 910 778	Stud bolt

Spare parts list

Item	Part Number	Description
95	2 610 967 437	Stud bolt
105	1 619 P03 782	Inset Plate
106	2 610 910 833	End Plate
107	2 610 907 852	Pointer
109	2 610 908 288	Shaft
112	2 610 907 850	Knob
113	2 610 907 846	Scale Plate
114	1 609 203 H90	Stop Rail
115	2 610 910 834	Cover Plate
116	2 610 907 824	Mitre Fence
117	2 610 907 813	Saw Table
119	2 610 309 996	Washer
120	2 610 910 775	Lever
121	2 610 907 854	Wear Plate
122	2 610 909 006	Warning Label
123	2 610 907 826	Extension Stand
124	2 610 911 470	Set Of Keys
125	2 610 355 777	Hexagon Socket Wrench
126	2 610 910 844	Threaded Plate
130	1 619 P03 548	Rubber Bushing
136	2 610 910 777	Screw
137	2 610 910 793	Screw
138	2 610 356 733	Screw
139	2 615 303 029	Screw
141	2 610 910 794	Hex Nut
144	2 610 910 782	Screw
145	2 610 910 774	Nut
146	2 610 910 776	Screw
154	2 610 967 433	Clamping Plate
155	2 610 358 439	Plain Washer
156	2 610 967 438	Spring retaining ring
157	2 610 967 439	Nut
158	2 610 992 372	Stud bolt
159	2 610 027 372	Plain Washer
160	2 610 951 118	Screw

Spare parts list

Item	Part Number	Description
191	2 610 967 432	Clamp
652	1 609 203 J02	Key

Illustration - Type - E

0 601 B20 037 ; 040 ; 043
 Stand | 07-07
 issue | 08-10-28

Fig./Abb. 1

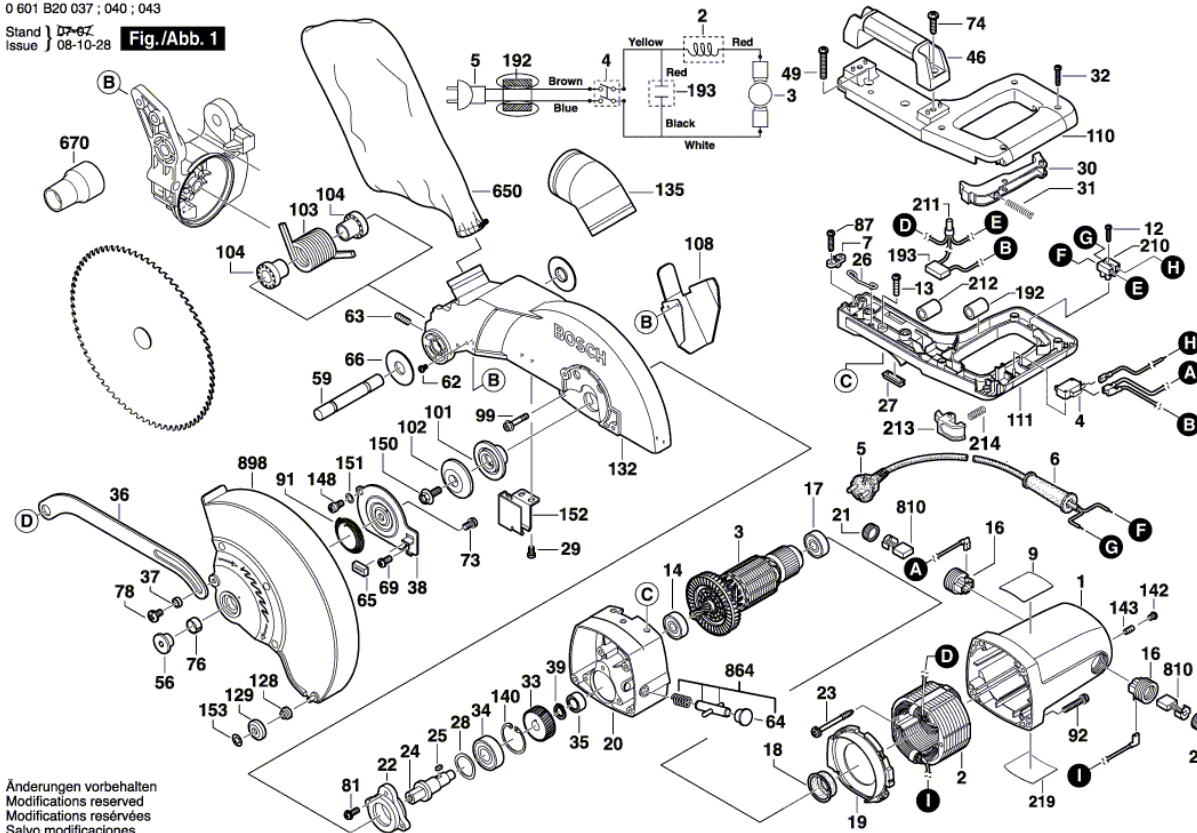


Illustration - Type - E

0 601 B20 037 ; 040 ; 043

Stand | 07-05
Issue | 14-10-30 **Fig./Abb. 2**

