



BOSCH

Cordless caulking gun

GCG18V-29 | 3 601 JC4 210

Table of Content

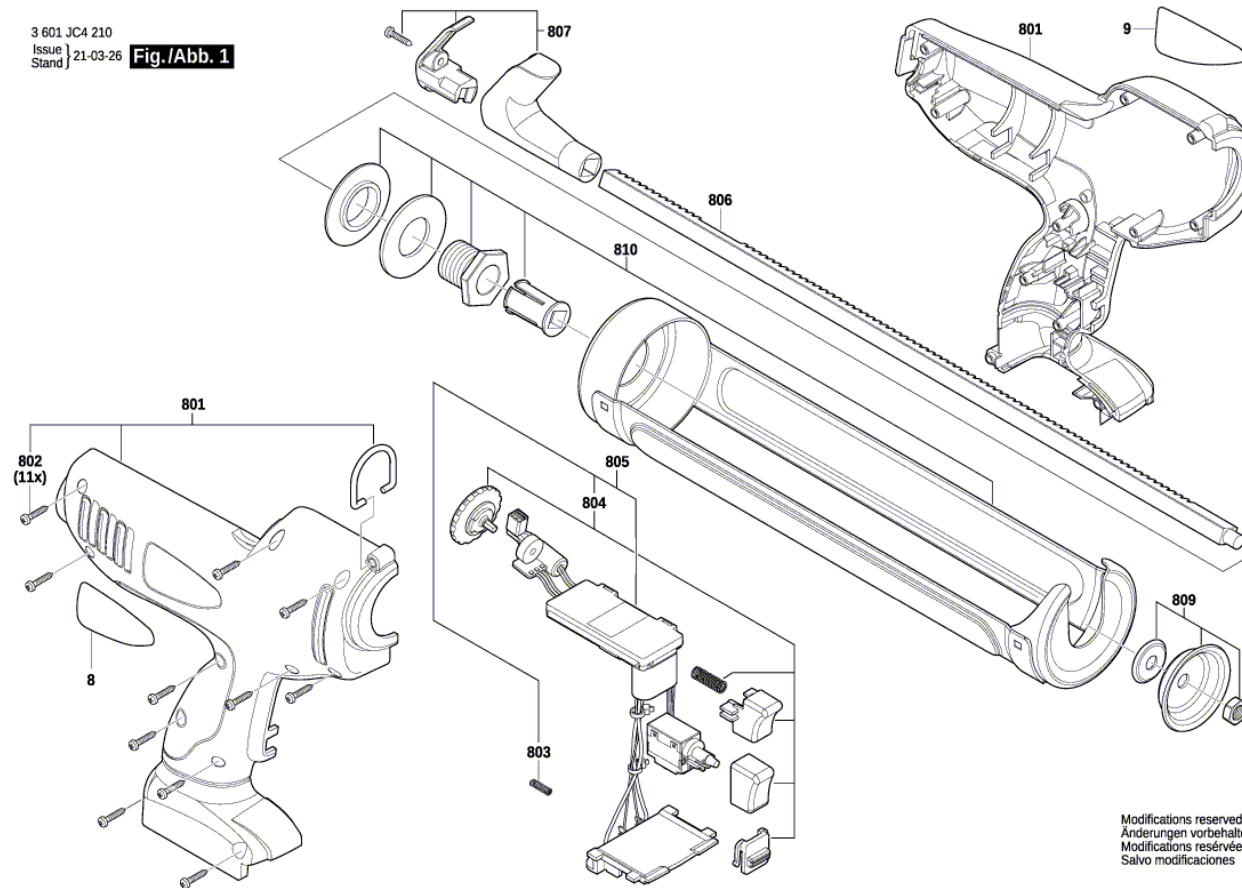
| | |
|--------------------------|---|
| Spare parts list..... | 2 |
| Illustration - Type..... | 3 |

Spare parts list

| Item | Part Number | Description | Illustration |
|-------------|--------------------|--------------------|---------------------|
| 8 | 1 601 11C 2TP | Warning Plate | 1 |
| 9 | 1 601 11C 4B5 | Nameplate | 1 |
| 801 | 1 605 806 5RA | Housing Set | 1 |
| 802 | 1 607 000 E6A | Set of screws | 1 |
| 803 | 1 600 A01 C8C | Spring | 1 |
| 804 | 1 607 000 E69 | Trigger | 1 |
| 805 | 1 607 000 E6U | Electronic Module | 1 |
| 806 | 1 600 A02 6DD | Toothed rack | 1 |
| 807 | 1 600 A01 55U | Rack | 1 |
| 809 | 1 607 000 E5G | Plunger | 1 |
| 810 | 1 607 000 E5F | Cage | 1 |

Illustration - Type - E

3 601 JC4 210
Issue | 21-03-26
Stand | **Fig./Abb. 1**



Modifications reserved
Änderungen vorbehalten
Modifications réservées
Salvo modificaciones