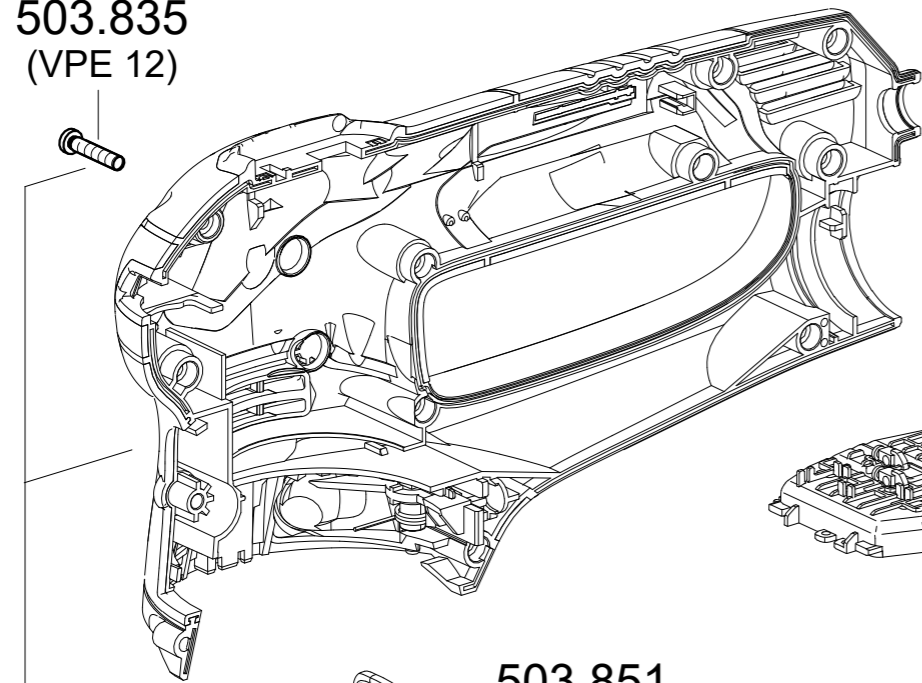
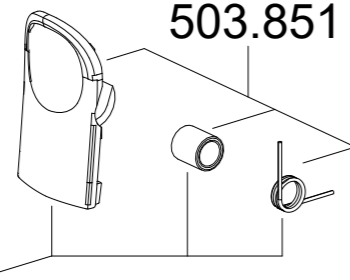


503.835  
(VPE 12)



503.843  
L+R

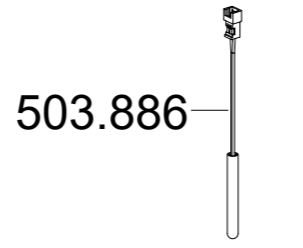


503.851

319.627

503.916

503.886



507.121

503.908

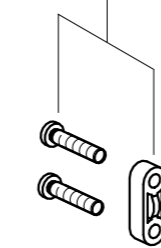
503.894

503.940

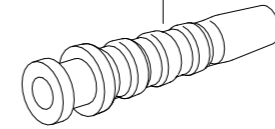
503.959

503.924

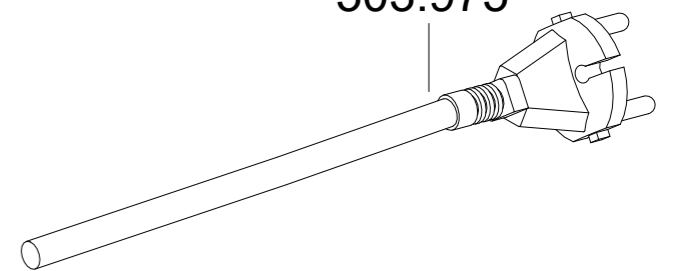
503.967



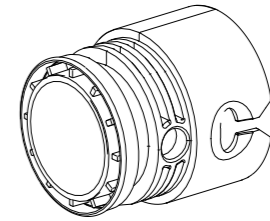
467.324



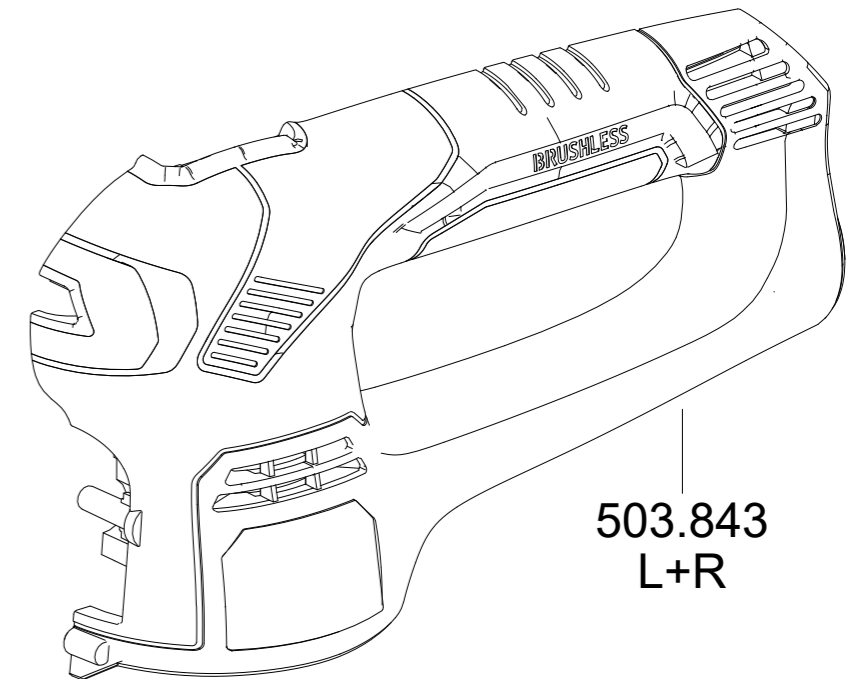
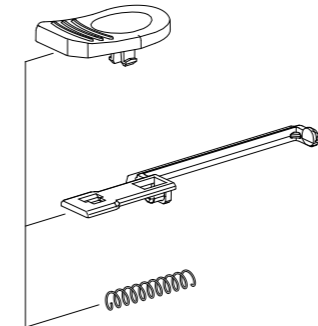
503.975



408.379



503.932



503.843  
L+R

**GCE 6-EC**