

## Band Saw - 3 601 M36 010 - GCB 10-5

www.powertools-aftersaleservice.com



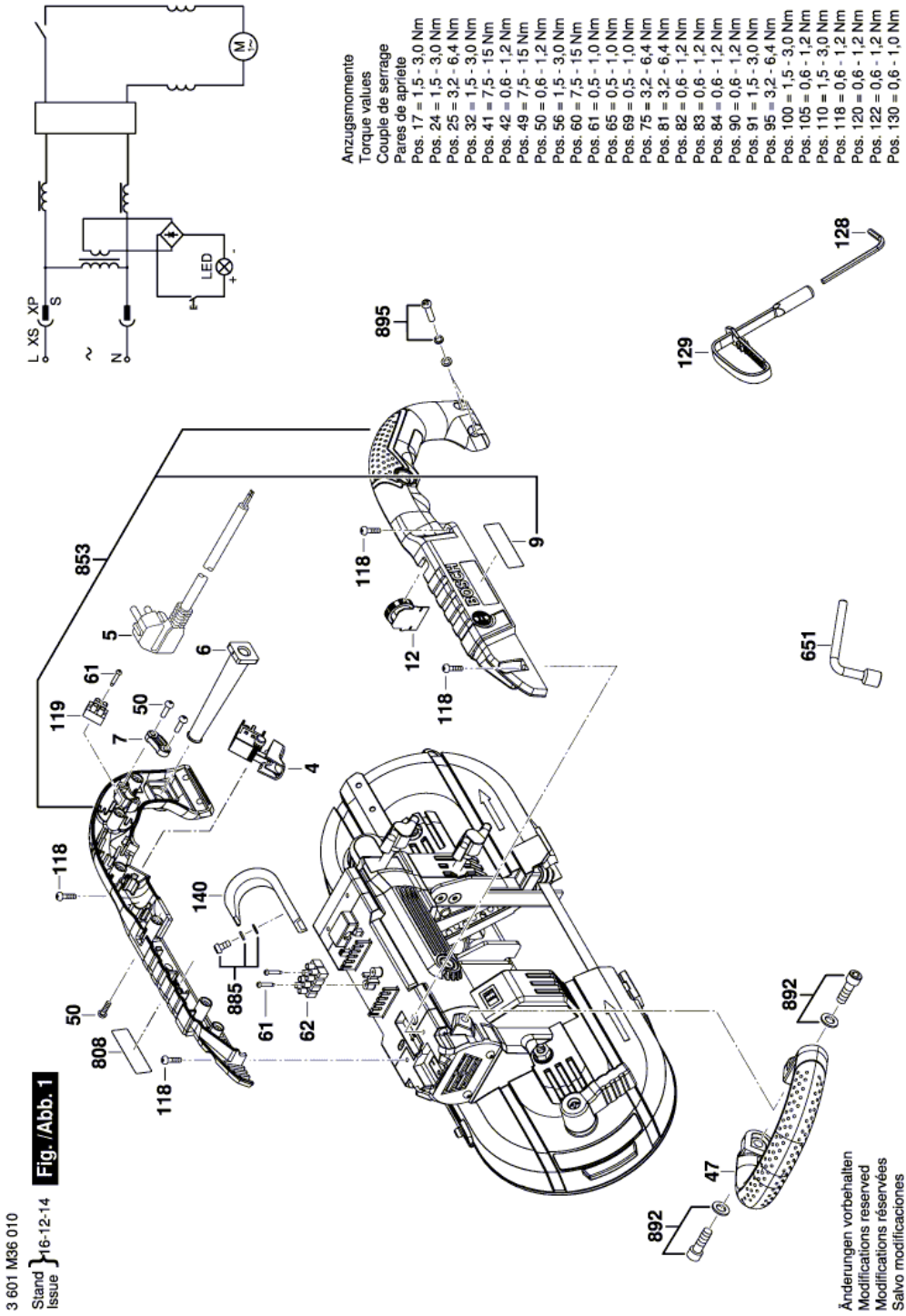
**BOSCH**

Item	Part Number	Description	Illustration	Price	Quantity	Price Group
1	1 619 PA8 724	Motor Housing	2	-,-	1	30
2	1 619 PA6 856	Field 100V	2	-,-	1	34
4	1 619 PA8 745	Switch	1	-,-	1	-
5	1 619 PA8 730	Power supply cord	1	-,-	1	-
6	1 619 PA8 731	Grommet	1	-,-	1	11
7	1 619 PA8 733	Cable Clip	1	-,-	1	10
9	1 619 PA8 743	Manufacturer's nameplate	1	-,-	1	-
12	1 619 PA9 012	Speed governor	1	-,-	1	37
16	1 619 PA8 751	Brush Holder	2	-,-	2	19
27	1 619 PA8 763	Friction Washer	3	-,-	4	10
34	1 619 PA8 769	Plain Washer	3	-,-	1	10
40	1 619 PA8 775	Adjusting bolt	3	-,-	1	11
42	1 619 PA8 777	Pan head screw	3	-,-	2	10
43	1 619 PA8 778	Retaining ring	3	-,-	1	10
46	1 619 PA8 781	Guide Rod	3	-,-	1	11
47	1 619 PA8 782	Auxiliary Handle	1	-,-	1	24
50	1 619 PA8 785	Pan head screw	1	-,-	10	10
57	1 619 PA8 792	Lever	3	-,-	1	13
58	1 619 PA8 793	Pivot Pin	3	-,-	1	13
59	1 619 PA8 794	Plain Washer	3	-,-	1	10
60	1 619 PA8 795	Hex Nut	3	-,-	1	10
61	1 619 PA8 796	Pan head screw	1	-,-	3	10
62	1 619 PA8 797	Socket-Terminal Strip	1	-,-	1	13
63	1 619 PA6 427	Switch	2	-,-	1	16
64	1 619 PA8 798	Cover	2	-,-	1	13
65	1 619 PA8 799	Pan head screw	2	-,-	2	10
70	1 619 PA8 803	Air-Deflector Ring	2	-,-	1	11
71	1 619 PA8 804	Rubber Ring	2	-,-	1	10
75	1 619 PA8 808	Square Nut	2	-,-	2	10
80	1 619 PA9 970	Protective Cover	2	-,-	1	-
85	1 619 PA8 818	Workpiece support	2	-,-	1	15
89	1 619 PA9 971	Support Plate	4	-,-	1	-
90	1 619 PA9 972	Cross Recessed-Head Screw	3	-,-	4	-

Item	Part Number	Description	Illustration	Price	Quantity	Price Group
95	1 619 PA8 828	Recessed-Head Screw	2	-,-	2	10
96	1 619 PA8 829	Retaining ring	4	-,-	1	10
97	1 619 PA8 830	Wheel Brush	3	-,-	1	12
98	1 619 PA8 831	Brush Holder	3	-,-	1	10
99	1 619 PA8 832	Wheel Shaft	4	-,-	1	13
103	1 619 PA9 974	Support Plate	3	-,-	1	-
105	1 619 PA8 837	Pan head screw	2	-,-	2	10
107	1 619 PA8 838	Brush-Cover	2	-,-	2	11
108	1 619 PA8 839	Protective Glass	2	-,-	1	10
110	1 619 PA9 975	Lock Screw	2	-,-	2	-
113	1 619 PA8 843	Safety Plate	2	-,-	1	10
114	1 619 PA9 989	Insert	2	-,-	1	-
118	1 619 PA8 848	Pan head screw	1	-,-	4	10
119	1 619 PA8 849	Socket-Terminal Strip	1	-,-	1	10
123	1 619 PA8 853	Protection Plate	3	-,-	1	14
126	1 619 PA8 856	Adhesive Label	2	-,-	1	13
128	1 619 PA8 857	Socket Wrench	1	-,-	1	11
129	1 619 PA8 858	Wrench Attachment	1	-,-	1	11
135	1 619 PA9 978	Connecting Cable	2	-,-	1	-
136	1 619 PA9 979	Connecting Cable	2	-,-	1	-
137	1 619 PA8 866	Connecting Cable	2	-,-	2	10
138	1 619 PA8 867	Connecting Cable	2	-,-	1	10
139	1 619 PA8 868	Connecting Cable	2	-,-	2	10
140	1 619 PA9 980	Hook	1	-,-	1	-
651	1 619 PA8 904	Hexagon Socket Wrench	1	-,-	1	22
803	1 619 PA8 871	Armature set	2	-,-	1	40
808	1 619 PA8 741	Nameplate	1	-,-	1	-
811	1 619 PA8 872	Carbon-Brush Set	2	-,-	1	27
818	1 619 PA8 874	Protective Cover	3	-,-	1	29
820	1 619 PA8 875	Drive Wheel	4	-,-	1	28
822	1 619 PA9 982	Bearing Bracket	3	-,-	1	-
828	1 619 PA8 877	Spur Gear Drive	4	-,-	1	37
829	1 619 PA8 878	Guide Wheel	3	-,-	1	29
837	1 619 PA8 879	Clamping Device	3	-,-	1	24
848	1 619 PA9 983	Protective Cover	2	-,-	1	-
853	1 619 PA9 984	Handle	1	-,-	1	-
867	1 619 PA9 013	LED lamp	2	-,-	1	31
872	1 619 PA9 985	Set Of Gears	4	-,-	1	-
873	1 619 PA9 986	Bearing Bracket	4	-,-	1	-
879	1 619 PA8 888	Set Of Gears	2	-,-	1	36
885	1 619 PA9 987	Set of screws	1	-,-	1	-
886	1 619 PA8 889	Set of screws	3	-,-	1	10
887	1 619 PA8 890	Set of screws	3	-,-	1	10
888	1 619 PA8 891	Set of screws	3	-,-	1	12
889	1 619 PA8 892	Set of screws	3	-,-	1	10
890	1 619 PA8 893	Set of screws	3	-,-	1	10
891	1 619 PA8 894	Set of screws	2	-,-	1	10
892	1 619 PA8 895	Set of screws	1	-,-	1	10
893	1 619 PA8 896	Set of screws	3	-,-	1	10
895	1 619 PA8 898	Set of screws	1	-,-	1	10
896	1 619 PA8 899	Set of screws	4	-,-	1	10
897	1 619 PA8 900	Set of screws	2	-,-	1	11
898	1 619 PA8 901	Set of screws	3	-,-	1	10

Item	Part Number	Description	Illustration	Price	Quantity	Price Group
899	1 619 PA8 902	Set of screws	4	-,-	1	10

Illustration - Type E

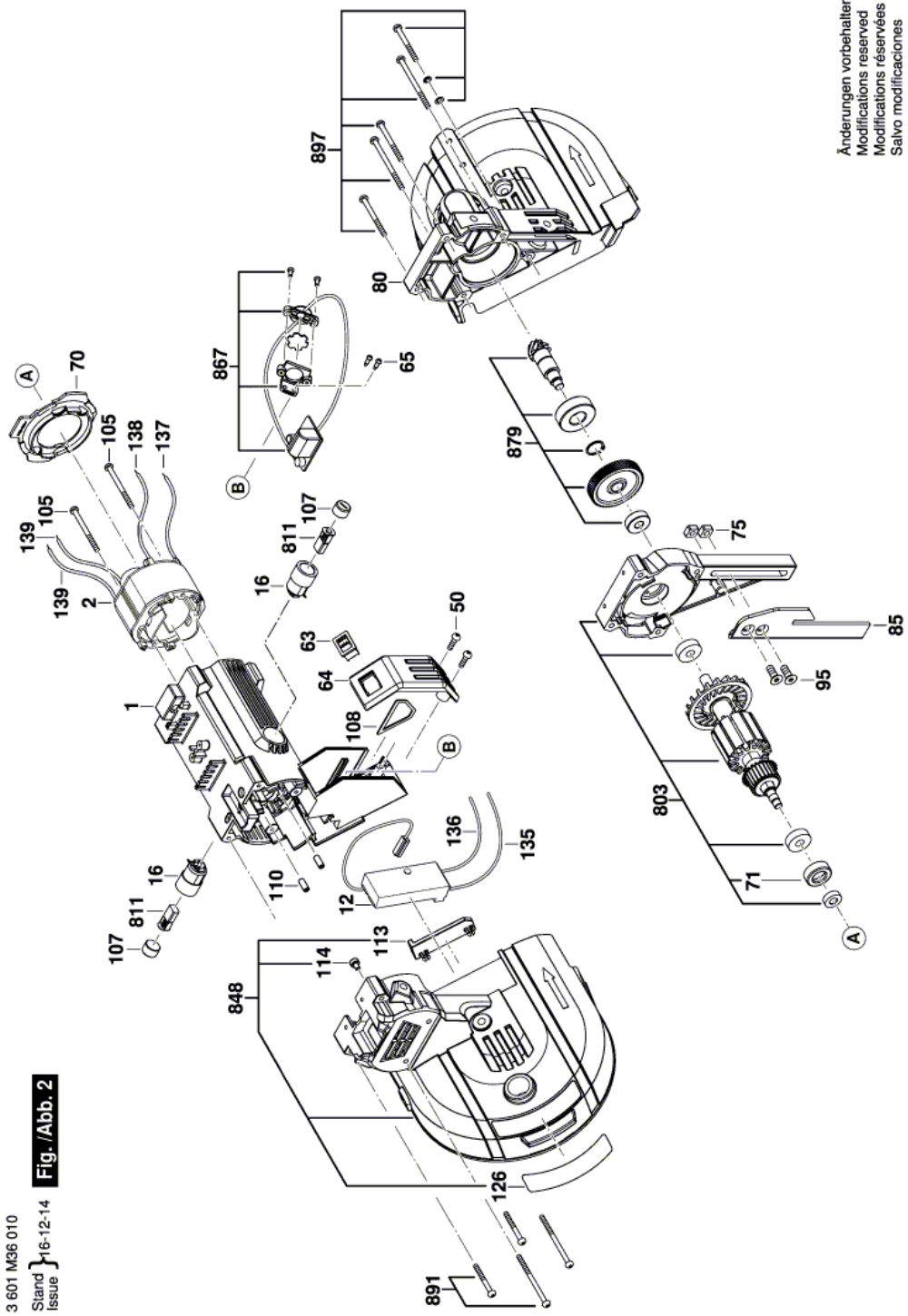


3 601 M36 010

**Fig. /Abb. 1**

Stand Issue 16-12-14

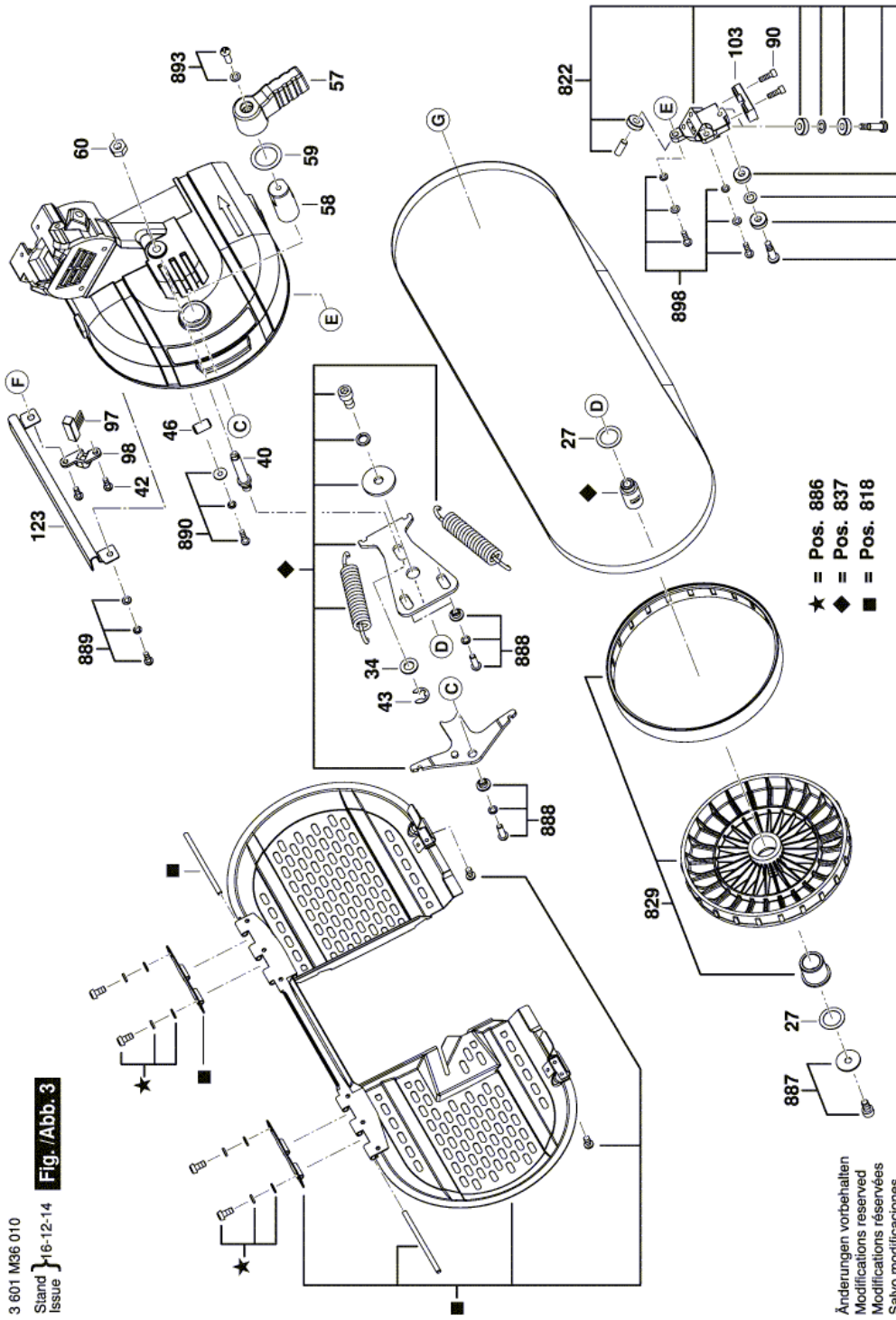
Illustration - Type E



3 601 M36 010  
 Stand Issue }  
 16-12-14  
**Fig./Abb. 2**

Änderungen vorbehalten  
 Modifications reserved  
 Modifications réservées  
 Salvo modificaciones

Illustration - Type E



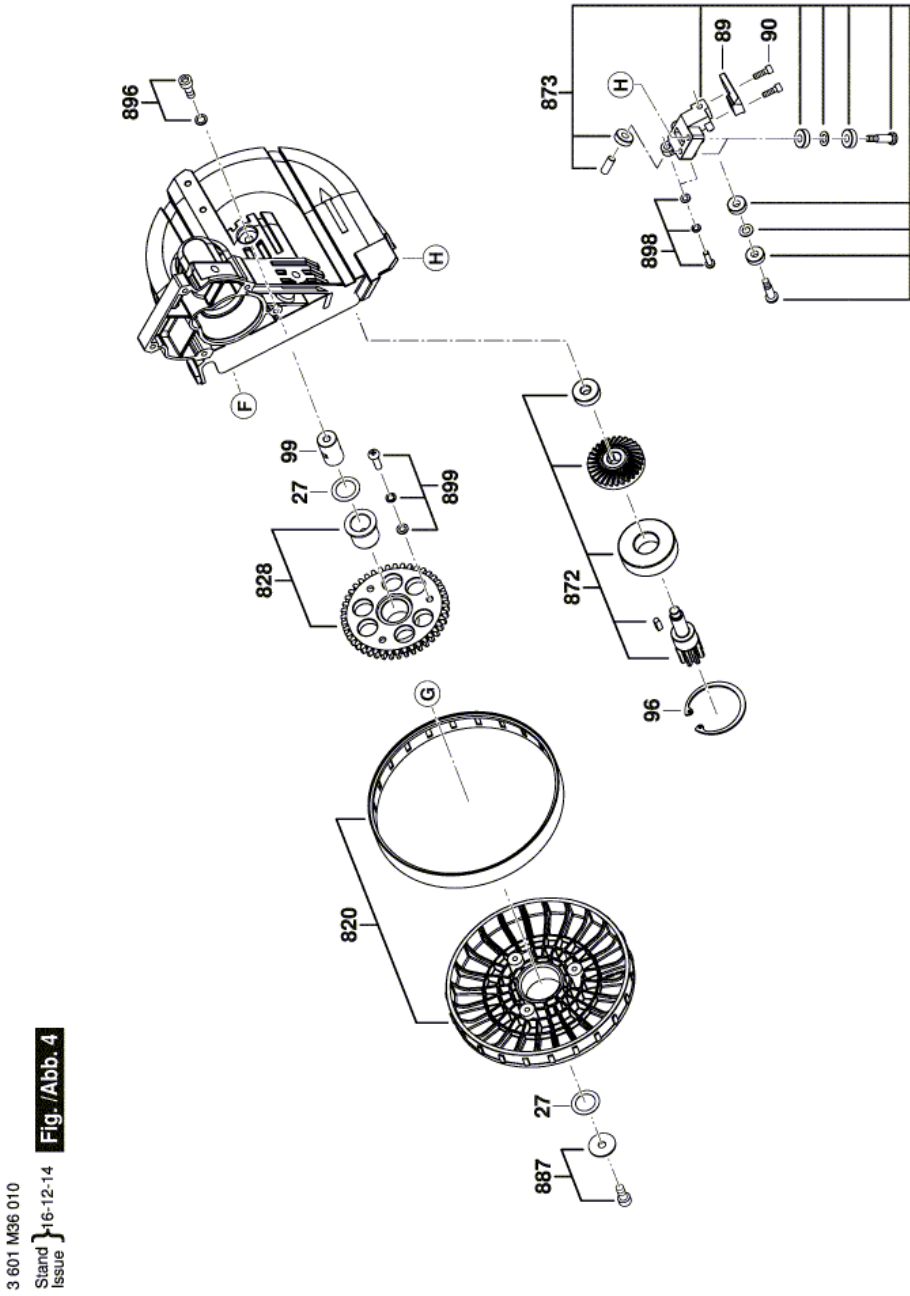
3 601 M36 010

Stand Issue

16-12-14

Fig./Abb. 3

Illustration - Type E



Information subject to change without further notice.