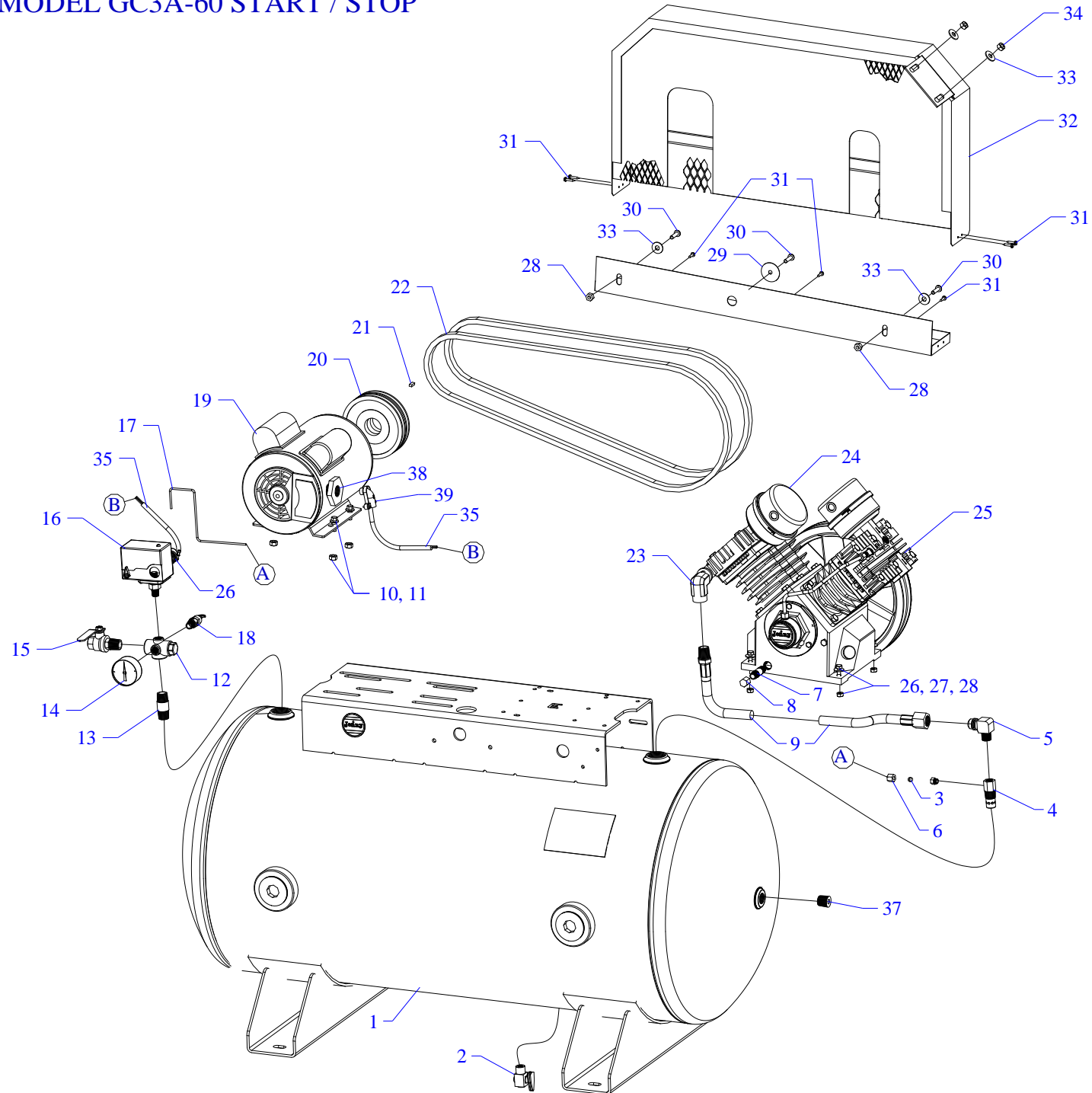


# MODEL GC3A-60 START / STOP



## Parts List for Model GC3A-60 Single & Three Phase

NOTE: The quantity number indicates the total number of pieces required for a complete unit repair.  
When ordering parts give compressor model, serial number and part number. Order assemblies when possible.

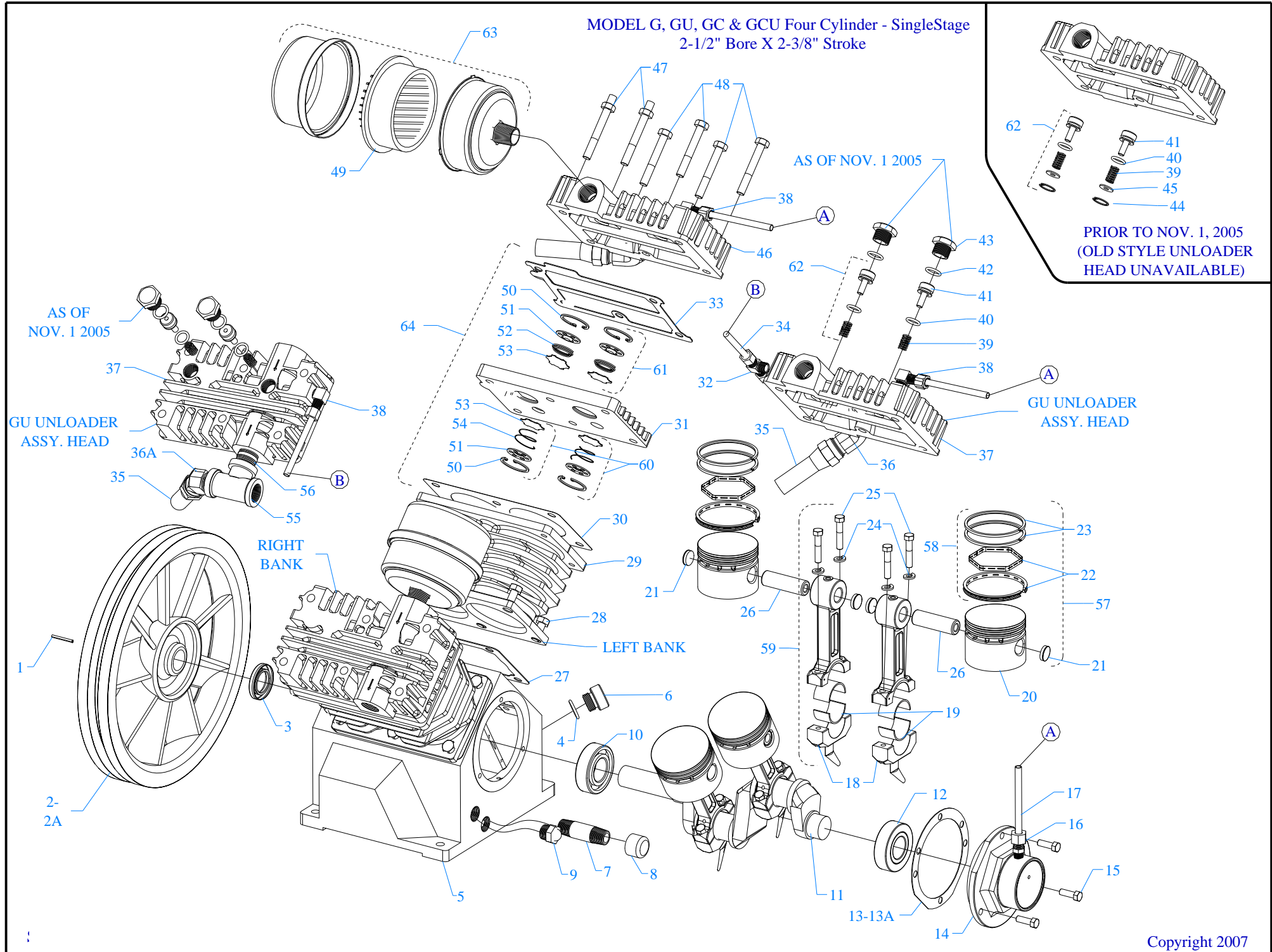
| <u>REF. NO.</u> | <u>PART NO.</u> | <u>DESCRIPTION</u>                       | <u>QTY.</u> |
|-----------------|-----------------|------------------------------------------|-------------|
| 1               | 411-1065        | TANK,HRZNTL,60G,UNB,F&K&GE,H60U-2        | 1           |
| 2               | 141-1077        | VALVE,BALL,LEVER,1/4 TURN,1/4"M X 1/4"F  | 1           |
| 3               | 121-1080        | SLEEVE,COMPRESSION,BRASS,1/4"            | 1           |
| 4               | 141-1036        | VALVE,CHECK,INSERT,3/4"M X1/2"F,W/1/8"PT | 1           |
| 5               | 121-1015        | ELBOW,MALE,BRASS,5/8-45SAEX1/2"NPTM      | 1           |
| 6               | 121-1025        | CONNECTOR,MALE,COMPRESSION,BR,1/4TBX1/8" | 1           |
| 7               | 122-1037        | NIPPLE,STEEL,SCH 40,3/8" X 2" L          | 1           |
| 8               | 122-1084        | CAP,FEMALE,MI,3/8"NPT                    | 1           |
| 9               | 360-1172        | AFTERCOOLER,HOSE,SS,TEFLON,5/8"ODX22-1/2 | 1           |
| 10              | 120-1018        | SCREW,FLANGE,HEX,SERR,ST,PLD,5/16-18X3/4 | 4           |
| 11              | 120-1119        | NUT,LOCK,FLANGE,HEX,SERR,ST,PLTD,5/16-18 | 4           |
| 12              | 220-1059        | BLOCK,MANIFOLD,AL,5 PORT,SPRINKLER,MC-5S | 1           |
| 13              | 122-1088        | NIPPLE,STEEL,SCH 80,PLATED,1/2" X 2"     | 1           |
| 14              | 142-1000        | GAUGE,PSI,200#,BK MT,JENNY,2",1/4NPT,PG2 | 1           |
| 15              | 141-1078        | VALVE,BALL,OUTLET,1/4 TURN,1/2"M X 1/2"F | 1           |
| 16              | 140-1074-01     | SWITCH,PSI,2HP,100-125#,UNLDR&LVR,PBVL   | 1           |
| 17              | 610-1090        | TUBE,CONTROL,COPPER,W/SLEEVE,1/4"X39"LG  | 1           |
| 18              | 141-1014        | VALVE,SAFETY,ASME,1/4",165 PSI,SVU165    | 1           |
| 19              | 130-1022        | MOTOR,3HP,230/60/1,1725RPM,ODP           | 1           |
| 19*             | 130-1024        | MOTOR,3HP,200/60/3,1725 RPM              | 1           |
| 19**            | 130-1025        | MOTOR,3HP,230-460/60/3,1725RPM,ODP       | 1           |
| 20              | 154-1055        | PULLEY,CI,DG,6.0PDA,1-1/8ID,2AK64X1-1/8  | 1           |
| 21              | 120-1194        | KEY,STEEL,BLACK,1/4X1/4X1-1/2            | 1           |
| 22              | 154-4L540       | BELT,VEE,A52,4L-540                      | 2           |

## Parts List for Model GC3A-60 Single & Three Phase

NOTE: The quantity number indicates the total number of pieces required for a complete unit repair.  
When ordering parts give compressor model, serial number and part number. Order assemblies when possible.

| <u>REF. NO.</u> | <u>PART NO.</u>          | <u>DESCRIPTION</u>                                                               | <u>QTY.</u> |
|-----------------|--------------------------|----------------------------------------------------------------------------------|-------------|
| 23              | 122-1174                 | ELBOW,STREET,MI,PLTD,90 DEG,1/2"NPT                                              | 1           |
| 24              | 320-1121                 | FILTER,W/DECALS,ASSY,G154S                                                       | 2           |
| 25              | 421-1821                 | PUMP,CMPRSR,PISTON,REPLCMT,BLUE,GC                                               | 1           |
| 26              | 120-1070                 | WASHER,FLAT,STEEL,PLATED,SAE,1/4"                                                | 4           |
| 27              | 120-1220                 | SCREW,CAP,HEXHD,GR5,ST,PLD,1/4-20X1-3/4                                          | 4           |
| 28              | 120-1116                 | NUT,LOCK,FLANGE,HEX,SERR,ST,PLTD,1/4-20                                          | 6           |
| 29              | 120-1072                 | WASHER,FENDER,ST,PLATED,1/4"X1-1/2"OD                                            | 1           |
| 30              | 120-1267                 | SCREW,PAN HD,PHIL,STEEL,PLTD,1/4-20 X 1"                                         | 3           |
| 31              | 120-1177                 | SCREW,SELF DRILL,HEX,ST,PL,12 X 3/4                                              | 7           |
| 32              | 320-1179                 | BELTGUARD,G&GC,W/PAN,3.38WX14.63HX28LG                                           | 1           |
| 33              | 120-1075                 | WASHER,FLAT,STEEL,PLATED,5/16"                                                   | 4           |
| 34              | 120-1119                 | NUT,LOCK,FLANGE,HEX,SERR,ST,PLTD,5/16-18                                         | 2           |
| 35              | 123-1003                 | WIRE,ASSY,BX,14/2,WITH GROUND                                                    | 2FT         |
| 36              | 123-1029                 | CONNECTOR,ROMEX,CLAMP,STRAIGHT,3/8"                                              | 2           |
| 37              | 122-1047                 | PLUG,SOCKET,HEX,ST,PLTD,1/2" NPT                                                 | 1           |
| 38              | 122-1071                 | BUSHING,REDUCER,HEX,ST,PLTD,3/4" X 1/2"N                                         | 1           |
| 39              | 123-1034                 | CONNECTOR,CABLE,ARMORED,90 DEG,1/2"                                              | 1           |
| NOT SHOWN       | 610-1225                 | KIT,ELEMENT,FILTER,G54E,PKG OF 4,G54EP                                           | 1           |
| NOT SHOWN       | 105-1209                 | OIL,PUMP,SYNTHETIC,BLUE,1 QUART,ESQ                                              | 1           |
| NOT SHOWN       | 330-1023<br>140-1028-E48 | MAG STRT,25A 3P 460V,SVC RPLM,MGSA-3-460<br>OVERLOAD,HEATER,STARTER,MAGNETIC,E48 | 1<br>3      |
| NOT SHOWN       | 330-1022<br>140-1028-E51 | MAG STR,25A,3P,200/208/230V,MGSA-3-230<br>OVERLOAD,HEATER,STARTER,MAGNETIC,E51   | 1<br>3      |

**MODEL G, GU, GC & GCU Four Cylinder - SingleStage  
2-1/2" Bore X 2-3/8" Stroke**



## Parts List for Model G, MG, GU, MGU, GC, & GCU Assembly

NOTE: The quantity number indicates the total number of pieces required for a complete unit repair.

When ordering parts give compressor model, serial number and part number. Order assemblies when possible.

| <u>REF. NO.</u> | <u>PART NO.</u> | <u>DESCRIPTION</u>                       | <u>QTY.</u> |
|-----------------|-----------------|------------------------------------------|-------------|
| 1               | 120-1163        | PIN,ROLLED,COILED,STL,BLK,1/4ODX1L,K25   | 1           |
| 2               | 220-1095        | FLYWHEEL,G PUMP,CI,10-3/8,2 GROOVE,L23A  | 1           |
| 2A              | 220-1090        | FLYWHEEL,GT PUMP,CI,13-1/4,2 GROOVE,G23  | 1           |
| 3               | 150-1036        | SEAL,OIL,LIP,SINGLE,0.875 DIA,K11E       | 1           |
| 4               | 104-1016        | RING,O,BUNA-N,5/8"IDX13/16"ODX3/32"THK   | 1           |
| 5               | 220-1034        | CRANKCASE,Y PUMP,CI,MACHINED,Y1A         | 1           |
| 6               | 610-1029        | PLUG,CRANKCASE,FILL,OIL,W/O-RING,K14     | 1           |
| 7               | 122-1037        | NIPPLE,STEEL,SCH 40,3/8" X 2" L          | 1           |
| 8               | 122-1084        | CAP,FEMALE,MI,3/8"NPT                    | 1           |
| 9               | 160-1052        | GAUGE,SIGHT,LEVEL,OIL,1/2"NPT            | 1           |
| 10              | 150-1000        | BEARING,BALL,K9                          | 1           |
| 11              | 220-1079        | CRANKSHAFT,G PUMP,CI,MACHINED,D20        | 1           |
| 12              | 150-1008        | BEARING,BALL,L9                          | 1           |
| 13              | 104-1000-01     | GASKET,CAP,BEARING,F&K&G PUMP,1/32THK,L3 | 1           |
| 13A             | 104-1000-02     | GASKET,CAP,BEARING,F&K&G PUMP,1/64THK,L4 | 1           |
| 14              | 220-1076        | CAP,BEARING,D PUMP,CI,MACHINED,D2        | 1           |
| 15              | 120-1004        | SCREW,CAP,HEXHD,GR5,ST,BLK,1/4-20X3/4    | 3           |
| 16              | 121-1025        | CONNECTOR,MALE,COMPRESSION,BR,1/4TBX1/8" | 1           |
| 17              | 610-1137        | TUBE,BREATHER,CU,BENT,MGU&GCU&GTU,L18    | 1           |
| 18              | 310-1043        | ROD,CONNECTING,W/BEARNG INSERT,L21L&L21K | 4           |
| 19              | 150-1011        | BEARING,ROD,CONNECTING,PUMP,F,K,G        | 8           |
| 20              | 220-1005        | PISTON,PUMP,ALUMINUM,MACHINED,K32        | 4           |
| 21              | 104-1103        | BUMPER,WRIST PIN,PLASTIC,K36A            | 8           |

## Parts List for Model G, MG, GU, MGU, GC, & GCU Assembly

NOTE: The quantity number indicates the total number of pieces required for a complete unit repair.

When ordering parts give compressor model, serial number and part number. Order assemblies when possible.

| <u>REF. NO.</u> | <u>PART NO.</u> | <u>DESCRIPTION</u>                               | <u>QTY.</u> |
|-----------------|-----------------|--------------------------------------------------|-------------|
| 22              | 610-1065        | KIT,RING,OIL,W/EXPANDER,ASSY,K34                 | 4           |
| 23              | 150-1003        | RING,COMPRESSION,PISTON,STEEL,EBA 22,K33         | 8           |
| 24              | 120-1068        | WASHER,LOCK,SPLIT,ST,BLK,HIGH CLLR,1/4"          | 8           |
| 25              | 120-1010        | SCREW,CAP,HEXHD,GR5,ST,BLK,1/4-20X1-1/4          | 8           |
| 26              | 150-1005        | PIN,PISTON,STEEL,HARDENED,K35                    | 4           |
| 27              | 104-1006        | GASKET,CYLINDER,K&G&W PUMP,1/32THK,K31           | 2           |
| 28              | 120-1017        | SCREW,CAP,HEXHD,GR5,ST,BLK,5/16-18X3/4 (15FT-LB) | 12          |
| 29              | 360-1150        | CYLINDER,K PUMP,CI,PAINTED,BLUE,K30              | 2           |
| 30              | 104-1007        | GASKET,PLATE,VALVE,K&G&W PUMP,1/32TK,L41         | 2           |
| 31              | 220-1013        | PLATE,VALVE,L PUMP,CI,MACHINED,L40               | 2           |
| 32              | 121-1039        | TEE,BRANCH,BRASS,1/4"TBX1/4"TBX1/8"NPTM          | 1           |
| 33              | 104-1008        | GASKET,HEAD,K&G&W PUMP,1/32THK,L51               | 2           |
| 34              | 610-1121        | TUBING,UNLOADER,HEAD-HEAD,MGU PUMP,LU88          | 1           |
| 35              | 610-1334        | TUBE,MANIFOLD,COPPER,G,W/NUT,5/8,MS,MG59         | 1           |
| 36              | 121-1015        | ELBOW,MALE,BRASS,5/8-45SAEX1/2"NPTM              | 1           |
| 36A             | 121-1021        | ELBOW,BRASS,MALE,45DEG,5/8-45SAEX1/2"NPT         | 1           |
| 37              | 310-1008        | HEAD,UNLOADING,K&G,W/1/2"PRT 7 HLE,LU180         | 2           |
| 38              | 121-1032        | ELBOW,MALE,COMPRESSION,BR,1/4TBX1/8"NPTM         | 2           |
| 39              | 150-1020        | SPRING,VALVE,UNLOADER,INTAKE, KU83               | 4           |
| 40              | 104-1020        | RING,O,SILICON,7/16"IDX5/8"ODX3/32"THK           | 4           |
| 41              | 150-1028        | PISTON,UNLOADER,VALVE,BRASS,KU81                 | 4           |
| 42              | 104-1015        | RING,O,BUNA-N,1/2"IDX11/16"ODX3/32"THK           | 4           |
| 43              | 122-1051        | PLUG,HEX ,BRASS,11/16-16 UN-2B X .550            | 4           |

## Parts List for Model G, MG, GU, MGU, GC, & GCU Assembly

NOTE: The quantity number indicates the total number of pieces required for a complete unit repair.

When ordering parts give compressor model, serial number and part number. Order assemblies when possible.

| <u>REF. NO.</u>   | <u>PART NO.</u> | <u>DESCRIPTION</u>                                                        | <u>QTY.</u> |
|-------------------|-----------------|---------------------------------------------------------------------------|-------------|
| 44                | 120-1167        | RETAINER,INTERNAL,ST,0.035X 0.665,KU85                                    | 4           |
| 45                | 150-1042        | WASHER,BRASS,1/32X 0.605ODX1/4 ID,KU84                                    | 4           |
| 46                | 310-1004        | HEAD,START/STOP,G PUMP,REPLACEMNT,L50                                     | 1           |
| 47                | 120-1252        | BOLT,STUD,HEX,ST,5/16-18X2-1/4X5/8,K52-1                                  | 2           |
| 48                | 120-1028        | SCREW,CAP,HEXHD,GR5,ST,BLK,5/16-18X2-1/4                                  | 10          |
| 49                | 150-1104        | ELEMENT,FILTER,AIR,COMPRESSOR,JENNY,G54E                                  | 2           |
| 50                | 150-1041        | RETAINER,VALVE,STEEL,PAS,0.062"THK,K43                                    | 8           |
| 51                | 109-1010        | VALVE,BUMPER,STEEL,K44                                                    | 8           |
| 52                | 150-1018        | SPRING,CONE,SS,VALVE,DISCHARGE,K46                                        | 4           |
| 53                | 109-1011        | VALVE,DISC,STAINLESS STEEL,K47                                            | 8           |
| 54                | 150-1017        | SPRING,CONE,SS,VALVE,INTAKE,K45                                           | 4           |
| 55                | 122-1060        | TEE,FEMALE,MI,PLTD,1/2"NPT                                                | 1           |
| 56                | 122-1042        | NIPPLE,CLOSE,STEEL,SCH 80,1/2"NPTM                                        | 1           |
| <b>Assemblies</b> |                 |                                                                           |             |
| 57                | 610-1028        | PISTON,W/RINGS&PIN,ASSY,K132<br>INCLUDES 20, 21(2), 22, 23, 26            | 4           |
| 58                | 610-1020        | KIT,PUMP,RING,PISTON,F&K&G&W PUMP,K133<br>INCLUDES 22(2), 23(4)           | 2           |
| 59                | 610-1411        | ROD,CONNECTING,W/BEARNG INSERT,L21L&L21K<br>INCLUDES 18, 19(2), 24(2), 25 | 4           |
| 60                | 610-1031        | VALVE,SUCTION,ASSY,K145<br>INCLUDES 50, 51, 53, 54                        | 4           |
| 61                | 610-1032        | VALVE,DISCHARGE,ASSY,K146<br>INCLUDES 50, 51, 52, 53                      | 4           |
| 62                | 610-1042        | VALVE,UNLOADER,HEAD,PUMP,ASSY, KU181<br>INCLUDES 39, 40, 41, 44, 45       | 4           |
| 63                | 320-1121        | FILTER,W/DECALS,ASSY,G154S                                                | 2           |

## Parts List for Model G, MG, GU, MGU, GC, & GCU Assembly

NOTE: The quantity number indicates the total number of pieces required for a complete unit repair.

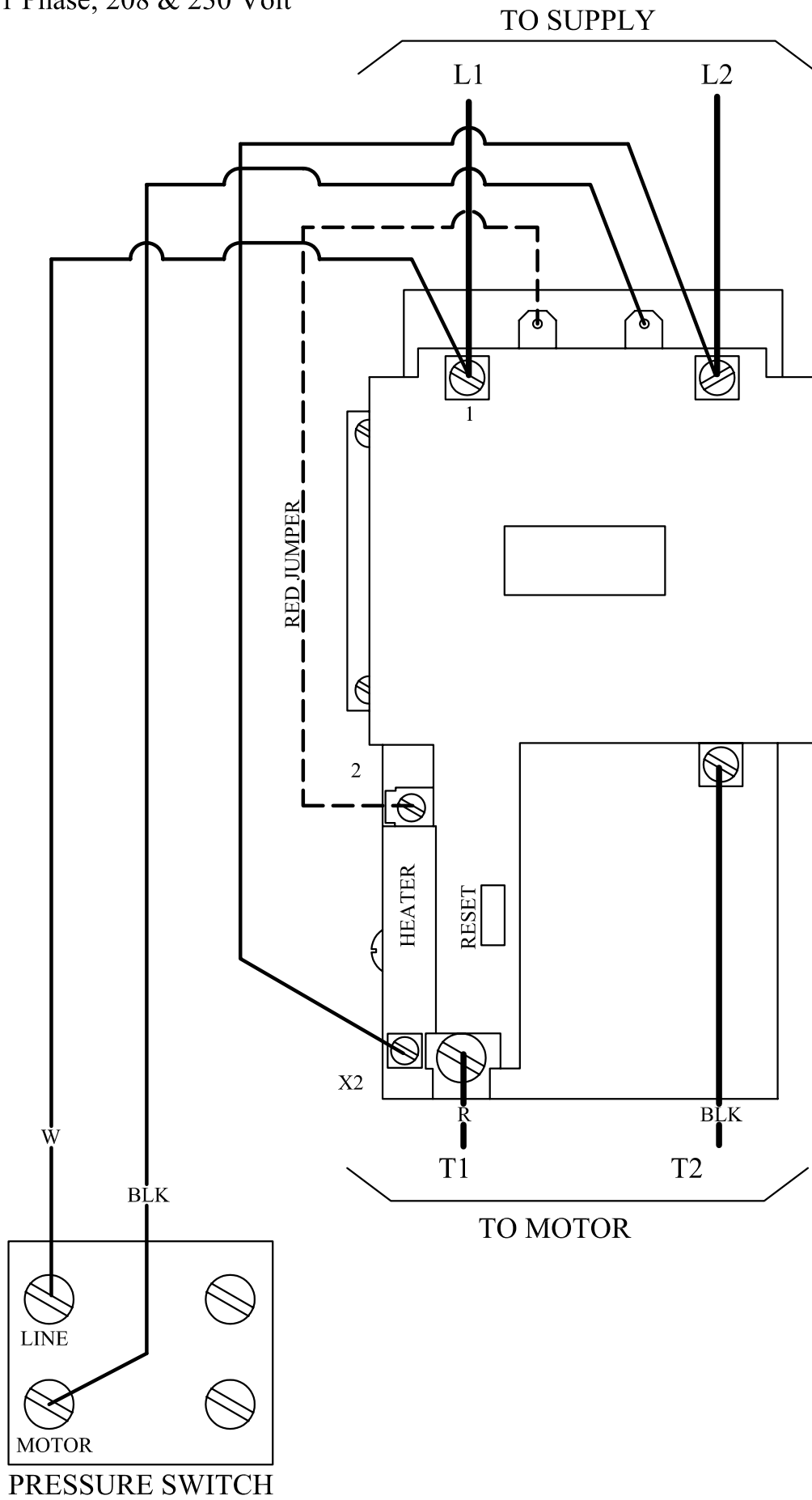
When ordering parts give compressor model, serial number and part number. Order assemblies when possible.

| <u>REF. NO.</u> | <u>PART NO.</u> | <u>DESCRIPTION</u>                                                                   | <u>QTY.</u> |
|-----------------|-----------------|--------------------------------------------------------------------------------------|-------------|
| 64              | 610-1045        | PLATE,VALVE,W/VALVES,ASSY,L140<br>INCLUDES 30, 31, 33, 60(2), 61(2)                  | 2           |
| 65              | 610-1044        | KIT,GASKET,L PUMP,ASSY,L100<br>13, 13A, 27(2), 30(2), 33(2)                          | 1           |
| 66              | 610-1298        | KIT,BASIC,REPAIR,G PUMP,G101<br>INCLUDES 49(2), 58(2), 60(4), 61(4), 65              | 1           |
| NOT SHOWN       | 610-1297        | KIT,BASIC,REPAIR,GU&GCU PUMP,GU101<br>INCLUDES 49(2), 58(2), 60(4), 61(4), 62(4), 65 | 1           |
| NOT SHOWN       | 105-1209        | OIL,PUMP,SYNTHETIC,BLUE,1 QUART,ESQ                                                  | 1           |
| NOT SHOWN       | 610-1226        | KIT,FILTER,ASSY,G154,PKG OF 4,G154P                                                  | 1           |
| NOT SHOWN       | 610-1186        | KIT,ELEMENT,FILTER,L54E,PKG OF 4,L54EP                                               | 1           |
| NOT SHOWN       | 150-1010        | ELEMENT,FILTER,AIR,COMPRESSOR,JENNY,L54E                                             | 1           |



# MAGNETIC STARTER WIRING DIAGRAM

1 Phase; 208 & 230 Volt



# MAGNETIC STARTER WIRING DIAGRAM

3 Phase; 208, 230, & 460 VOLT

