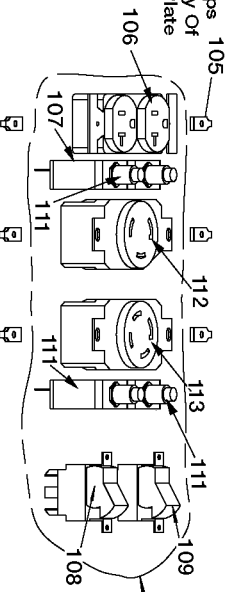
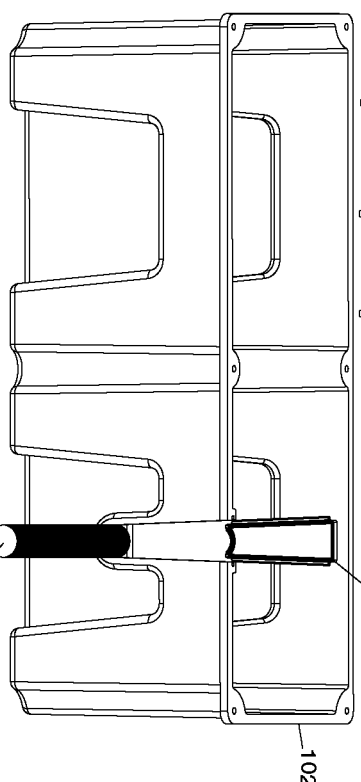


Attach Speed Clips 105
Prior To Assembly Of
Device To Face Plate

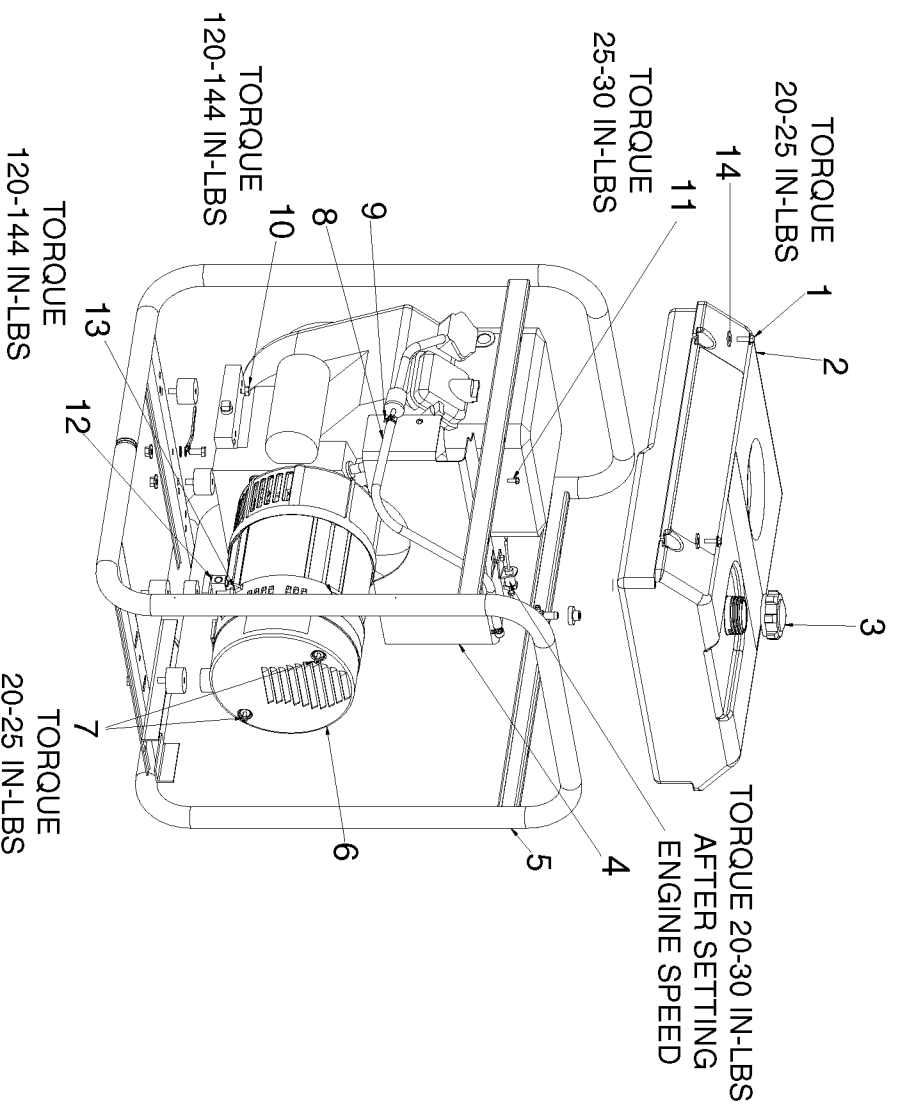


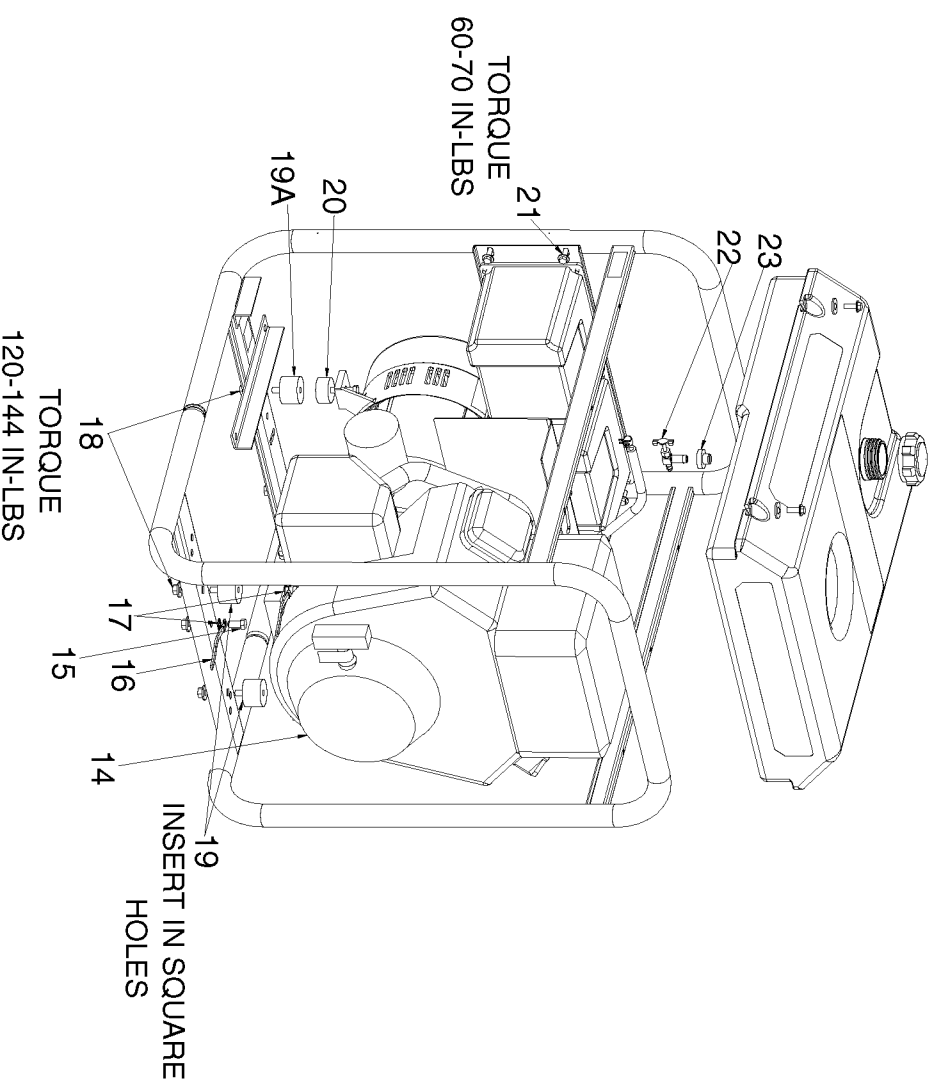
115 Wiring Harness To Be Routed Through
Panel Cover As Shown At Lower Right

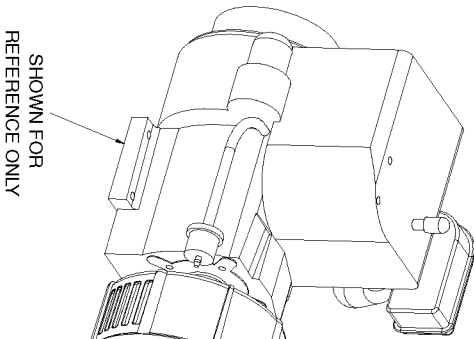
114 Insert Clamp Into Grooves As Shown
Before Attaching Panel To Panel Cover



Wire Harness And Conduit
To Generator







SHOWN FOR REFERENCE ONLY

24 ORIENT WITH VENTS DOWNWARD AS SHOWN

25 TORQUE TO 204-264 IN-LBS

26 TORQUE UNTIL THREADS RUN OUT

27 TORQUE TO 120-144 IN-LBS

28 TORQUE UNTIL THREADS RUN OUT

29 TORQUE TO 60-70 IN-LBS

30 TORQUE TO 30-40 IN-LBS

31 TORQUE TO 30-40 IN-LBS

32 TORQUE TO 30-40 IN-LBS

33 TORQUE TO 30-40 IN-LBS

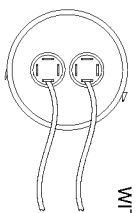
34 TORQUE TO 30-40 IN-LBS

35 TORQUE TO 30-40 IN-LBS

36 TORQUE TO 30-40 IN-LBS

37 TORQUE TO 30-40 IN-LBS

SHOWN FOR REFERENCE ONLY



CAPACITOR WIRING

Parts List for GBVE8000-WK Type 1

Item Number	Part Number	Description	Qty Required
1	91895680	SCREW .250-20X.750 H	1
2	Z-GS-0795	TANK FUEL 7G SS	1
3	GS-0443	CAP FUEL TANK	1
4	000000-00	No Longer Available	1
5	000000-00	No Longer Available	1
6	GS-0077	COVER END BLANK	1
7	SSF-553-1	SCREW #10-24X.563 TH	1
8	Z-A14582	HOSE FUEL	1
9	GS-0227	CLAMP FUEL .50	1
10	5140123-06	SCREW	1
11	000000-00	No Longer Available	1
12	GS-0117	LUG GROUND	1
13	95829230	SCREW .313-18X1.50 H	1
14	SSF-583	SCREW #6-32X.500 PAN	1
14	SSN-632	WASHER .875 OD .375	1
15	SS-12-CD	SCREW .313-18X.750 H	1
16	GS-0118	STRAP GROUND	1
17	N017772	LOCK WASHER	1
18	SSF-8150	NUT .312-18 UNC HEX	1
19	GS-0033	ISOLATOR VIBRATION 1	1
19	GS-0033	ISOLATOR VIBRATION 1	1
20	000000-00	No Longer Available	1
21	91895680	SCREW .250-20X.750 H	1
22	GS-0437	DRAIN COCK	1
23	N103455	GROMMET	1
24	000000-00	No Longer Available	1
25	SSN-619	WASHER .375 SPRING L	1

Parts List for GBVE8000-WK Type 1

Item Number	Part Number	Description	Qty Required
26	5140125-93	SCREW	1
27	000000-00	No Longer Available	1
27	D29822	KIT SERVICE FOCUS MO	1
28	GS-0273	BOLT STATOR THRU 207	1
29	000000-00	No Longer Available	1
29	D29822	KIT SERVICE FOCUS MO	1
30	330016-13	WASHER	1
31	SSF-576	NUT .313-24 HEX W/KE	1
32	GS-0274	BOLT ROTOR THRU 207L	1
33	000000-00	No Longer Available	1
34	SSF-575	NUT .250-20 HEX W/KE	1
35	GS-0592	CAPACITOR 35uF 3% 37	1
36	GS-0595	BRACKET CAPACITOR 2.	1
37	SSF-553-1	SCREW #10-24X.563 TH	1
49	000000-00	No Longer Available	1
101	000000-00	No Longer Available	1
102	000000-00	No Longer Available	1
103	SSF-3156	SCREW #10-9X.500 THD	1
104	SSF-583	SCREW #6-32X.500 PAN	1
105	SSF-584	NUT #6-32 SPEED SELF	1
106	GS-0019	RECEPTACLE 120V 20A	1
107	D21508	BREAKER CIRCUIT	1
108	GS-0045	SWITCH FULL POWER	1
109	GS-0046	SWITCH OFF - ON / ST	1
110	SSF-595	NUT .438-28 UNEF HEX	1
111	GS-0026	BREAKER CIRCUIT 125/	1
112	GS-0021	RECEPTACLE 125V 30A	1

Parts List for GBVE8000-WK Type 1

Item Number	Part Number	Description	Qty Required
113	GS-0455	RECEPTACLE 4 PRONG 3	1
114	D26113	CLAMP MOLDED STRESS	1
115	000000-00	No Longer Available	1
856	GS-0082	DIODE DSA	1
856	GS-0862	O-RING ROTOR BEARING	1