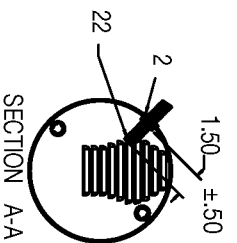
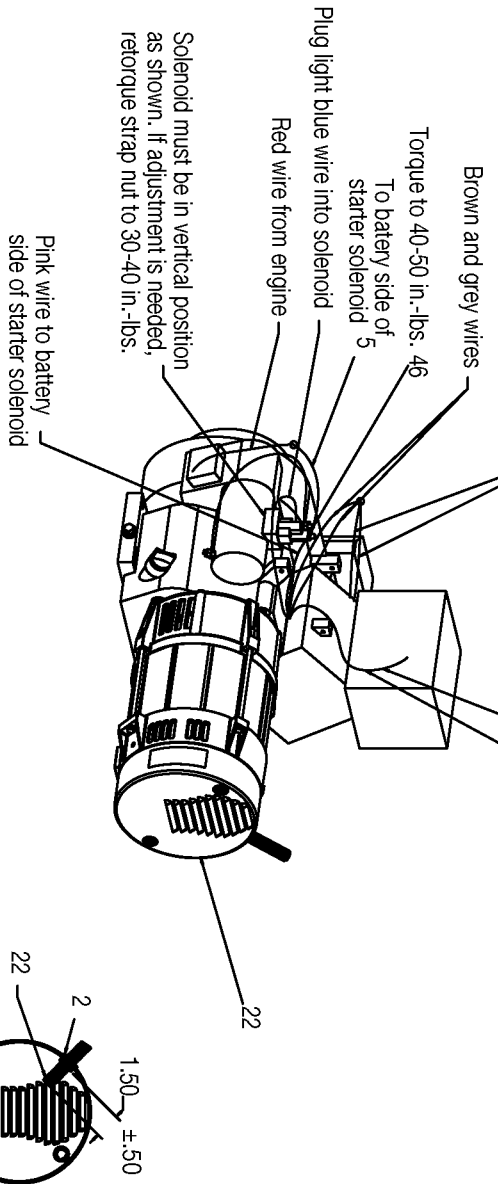
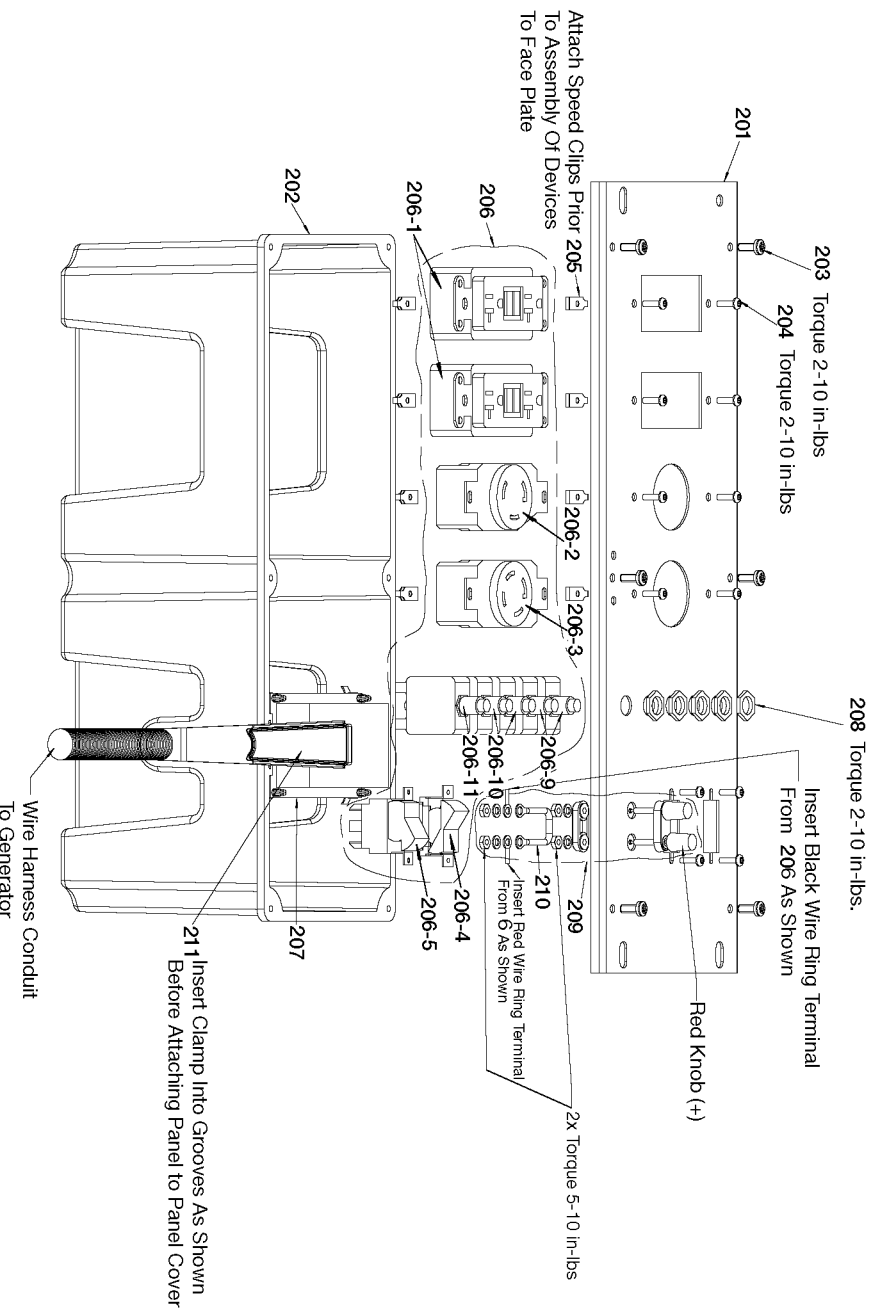


Loosen nut on idle control solenoid and rotate solenoid so black wires are in the 3:00 position. Route wires between engine facia and carburetor forhookup with wire harness. Retorque nut to 80-100 in.-lbs. after engine idle speed is set.



SECTION A-A



Attach Speed Clips Prior To Assembly Of Devices To Face Plate

203 Torque 2-10 in-lbs
204 Torque 2-10 in-lbs

208 Torque 2-10 in-lbs.

Insert Black Wire Ring Terminal From 206 As Shown

Red Knob (+)

2x Torque 5-10 in-lbs

210 Insert Red Wire Ring Terminal From 6 As Shown

211 Insert Clamp Into Grooves As Shown Before Attaching Panel to Panel Cover

Wire Harness Conduit To Generator

Parts List for GBVE7500-WK Type 1

Item Number	Part Number	Description	Qty Required
1	Z-GS-0795	TANK FUEL 7G SS	1
2	GS-0199	BUSHING SNAP 1 OD	1
4	Z-A14582	HOSE FUEL	1
5	000000-00	No Longer Available	1
7	000000-00	No Longer Available	1
9	95829230	SCREW .313-18X1.50 H	1
10	GS-0118	STRAP GROUND	1
11	GS-0033	ISOLATOR VIBRATION 1	1
12	SSF-8150	NUT .312-18 UNC HEX	1
13	N017772	LOCK WASHER	1
14	D22311	SCREW .313-18X.875 U	1
16	000000-00	No Longer Available	1
17	GS-0117	LUG GROUND	1
20	D24273	SHIELD HEAT BSV GHC	1
21	SSF-553-1	SCREW #10-24X.563 TH	1
22	GS-0077	COVER END BLANK	1
23	SSN-632	WASHER .875 OD .375	1
24	91895680	SCREW .250-20X.750 H	1
25	GS-0863	CAP FUEL W/GAUGE	1
26	000000-00	No Longer Available	1
31	GS-0227	CLAMP FUEL .50	1
33	000000-00	No Longer Available	1
34	N103455	GROMMET	1
35	GS-0437	DRAIN COCK	1
39	330016-13	WASHER	1
40	000000-00	No Longer Available	1
44	000000-00	No Longer Available	1

Parts List for GBVE7500-WK Type 1

Item Number	Part Number	Description	Qty Required
46	SSF-575	NUT .250-20 HEX W/KE	1
47	000000-00	No Longer Available	1
48	SSN-1014-ZN	WASHER .339/.344 ID	1
201	D29533	PANEL CONTROL BSV750	1
202	000000-00	No Longer Available	1
203	SSF-3156	SCREW #10-9X.500 THD	1
204	SSF-583	SCREW #6-32X.500 PAN	1
205	SSF-584	NUT #6-32 SPEED SELF	1
206	D21508	BREAKER CIRCUIT	1
206	GS-0681	BREAKER CIRCUIT	1
206	000000-00	No Longer Available	1
206	GS-0644	RECEPTACLE GFCI 120V	1
206	GS-0021	RECEPTACLE 125V 30A	1
206	GS-0455	RECEPTACLE 4 PRONG 3	1
206	D27260	SWITCH IDLE CONTROL	1
206	000000-00	No Longer Available	1
206	GS-0026	BREAKER CIRCUIT 125/	1
207	N080007	BOARD ASSY	1
208	SSF-595	NUT .438-28 UNEF HEX	1
209	Z-GS-0728	ASSY BINDING POST SS	1
210	GS-0835	ASSY RESISTOR DC SHU	1
211	D26113	CLAMP MOLDED STRESS	1