

**Drill - 3 601 AB0 010 - GBM 9-16**

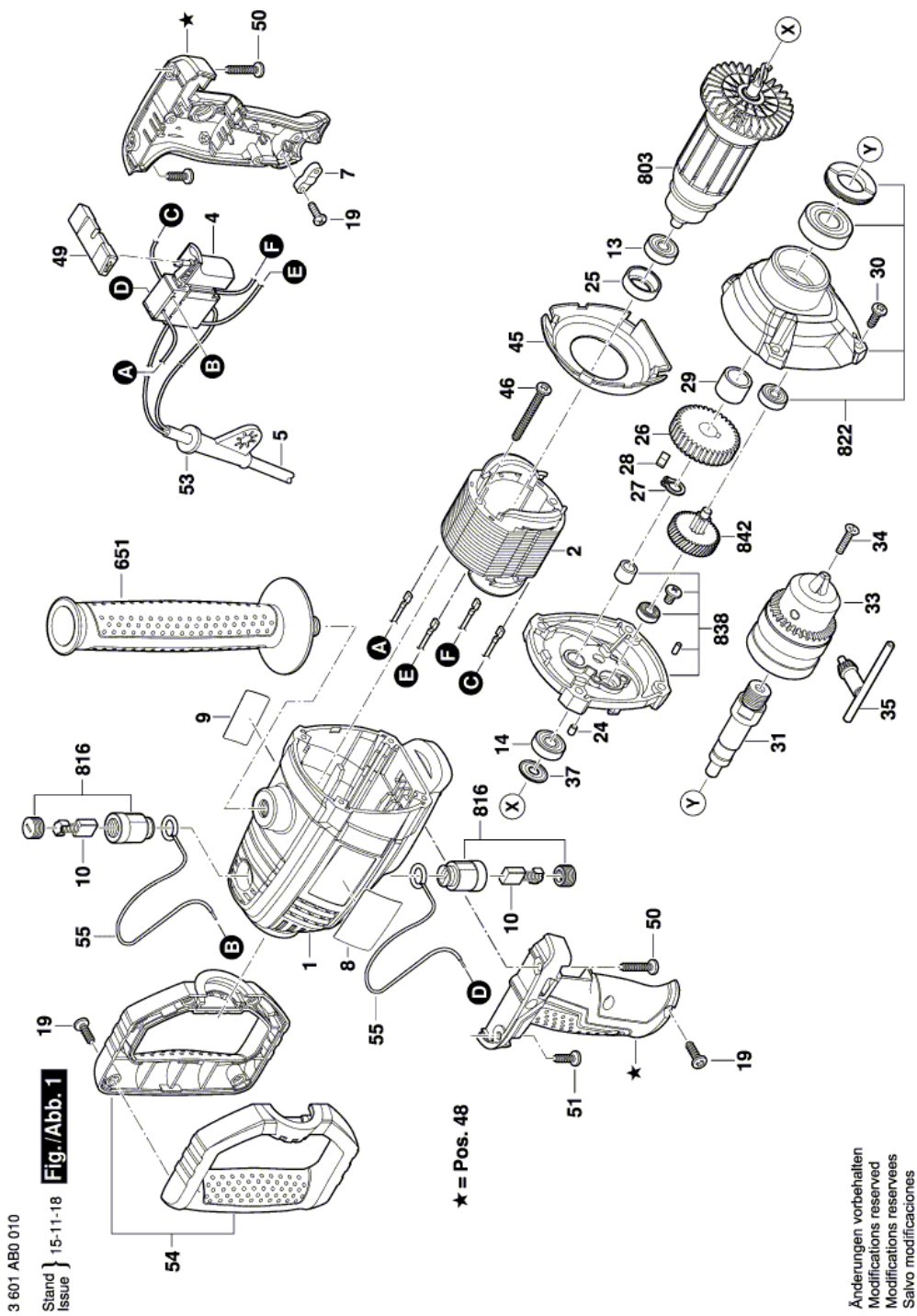
www.powertools-aftersaleservice.com

**BOSCH**

Item	Part Number	Description	Illustration	Price	Quantity	Price Group
1	1 619 PA7 814	Motor Housing	1	-,-	1	28
2	1 619 PA9 706	Field	1	-,-	1	29
4	1 619 PA9 708	On-Off Switch	1	-,-	1	23
5	1 619 PA9 709	Power supply cord	1	-,-	1	29
7	1 619 PA7 821	Fastening Clamp	1	-,-	1	10
8	1 619 PA9 704	Nameplate	1	-,-	1	13
9	1 619 PA9 705	Manufacturer's nameplate	1	-,-	1	13
10	1 619 PA8 315	Carbon-Brush Set	1	-,-	1	17
13	1 619 PA7 829	Ball Bearing 627ZZ	1	-,-	1	12
14	1 619 PA7 830	Ball Bearing 608RS	1	-,-	1	13
19	1 619 PA7 831	Tapping Screw	1	-,-	10	11
24	1 619 PA7 832	Rubber Strip	1	-,-	1	10
25	1 619 PA7 833	Bearing Sleeve	1	-,-	1	10
26	1 619 PA7 834	Cylindrical Gear	1	-,-	1	18
27	1 619 PA7 835	Retaining ring	1	-,-	1	10
28	1 619 PA7 836	Flat Key	1	-,-	1	10
29	1 619 PA7 837	Spacer bushing	1	-,-	1	12
30	1 619 PA7 838	Screw	1	-,-	4	11
31	1 619 PA7 839	Drilling Spindle	1	-,-	1	19
33	1 619 PA3 304	Chuck	1	-,-	1	28
34	1 619 PA3 305	Countersunk-Head Screw	1	-,-	1	10
35	1 619 PA8 054	Chuck Wrench	1	-,-	1	11
37	1 619 PA7 840	Seal Ring	1	-,-	1	10
45	1 619 PA7 841	Air-Deflector Ring	1	-,-	1	11
46	1 619 PA7 842	Screw	1	-,-	2	10
48	1 619 PA9 711	Handle	1	-,-	1	23
49	1 619 PA7 844	Lever	1	-,-	1	10
50	1 619 PA7 845	Tapping Screw	1	-,-	2	10
51	1 619 PA7 846	Tapping Screw	1	-,-	2	10
53	1 619 PA9 798	Grommet	1	-,-	1	11
54	1 619 PA7 849	Rotary Handle	1	-,-	1	21
55	1 619 PA9 710	Wire	1	-,-	2	10
651	1 619 PA7 850	Auxiliary Handle	1	-,-	1	18

Item	Part Number	Description	Illustration	Price	Quantity	Price Group
803	1 619 PA9 707	Armature	1	-,-	1	36
816	1 619 PA8 319	Brush Holder	1	-,-	1	21
822	1 619 PA7 853	Gear Housing	1	-,-	1	28
838	1 619 PA7 855	Bearing Flange	1	-,-	1	25
842	1 619 PA7 856	Pinion Shaft	1	-,-	1	17

Illustration - Type E



Information subject to change without further notice.