

Cordless Drill - 0 601 932 7B5 - GBM 7,2 VES-1

www.powertools-aftersaleservice.com

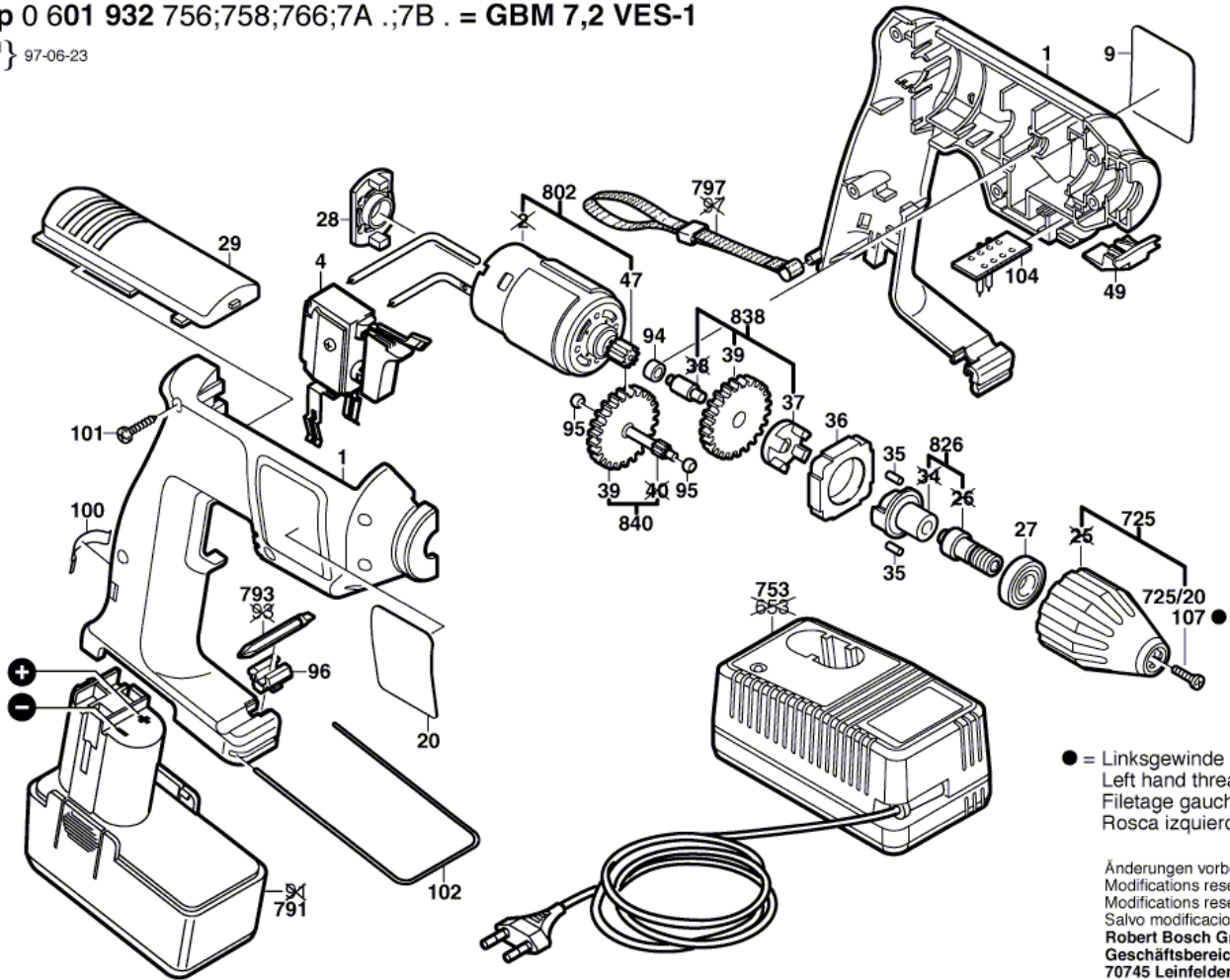


BOSCH

Item	Part Number	Description	Illustration	Price	Quantity	Price Group
1	2 605 104 611	Housing Section BLUE	1	-,-	1	26
4	2 607 200 393	On-Off Switch	1	-,-	1	41
9	2 601 118 555	Manufacturer's nameplate SUNNY SIDE	1	-,-	1	15
20	2 601 118 556	Reference Plate SHADOW SIDE	1	-,-	1	15
27	1 900 905 120	groove ball bearing 10x26x8	1	-,-	1	22
28	2 605 719 007	Adapter Insert BLACK	1	-,-	1	11
29	2 605 510 120	Insert Piece BLACK	1	-,-	1	11
35	2 602 329 024	Roller Body	1	-,-	2	11
36	2 600 202 026	Retaining snap ring	1	-,-	1	15
37	2 606 440 002	Carrier	1	-,-	1	14
39	2 606 316 128	Cylindrical Gear Z=65	1	-,-	1	22
47	2 606 316 120	Pinion Z=14	1	-,-	1	20
49	2 605 510 117	Insert Piece BLACK	1	-,-	1	11
94	2 600 301 011	Sintered-Metal Bushing	1	-,-	1	11
95	2 600 302 002	Sintered-Metal Bushing	1	-,-	2	11
96	2 608 040 131	Support	1	-,-	1	12
100	2 601 322 016	Clamp Spring	1	-,-	1	14
101	2 603 490 022	Screw 4x16	1	-,-	5	10
102	2 601 329 041	Retaining Bracket	1	-,-	1	13
104	2 608 018 004	Contact retainer	1	-,-	1	18
107	2 609 110 721	Countersunk-Head Screw M5x20	1	-,-	1	11
108	2 602 180 001	Support	N/A	-,-	1	11
725	2 608 572 214	Keyless Chuck	1	-,-	1	38
725/20	2 609 110 721	Countersunk-Head Screw M5x20	1	-,-	1	11
753	2 607 224 431	Fast Charger USA 120/7,2-24V, 1h	1	-,-	1	48
753	2 607 224 708	Fast Charger USA 120/7,2-14,4V, 30 MIN.	1	-,-	1	-
791	2 607 335 150	Accumulator Battery 7,2V,2,0Ah,NiCd	1	-,-	1	-
793	2 608 521 018	Screwdriver Blade	1	-,-	1	18
797	2 601 398 009	Carrying Loop	1	-,-	1	-
802	2 607 022 917	DC motor 7,2V	1	-,-	1	31
826	2 606 135 917	Drilling Spindle 3/8"	1	-,-	1	29
838	2 606 100 915	Jack Shaft Z= 65	1	-,-	1	27
840	2 606 308 916	Intmd. Transmission Hsg Z= 12/63	1	-,-	1	28

Typ 0 601 932 756;758;766;7A .;7B . = GBM 7,2 VES-1

Stand } 97-06-23
Issue }



Information subject to change without further notice.