



BOSCH

Drill

GBM 6 | 0 601 145 143

Table of Content

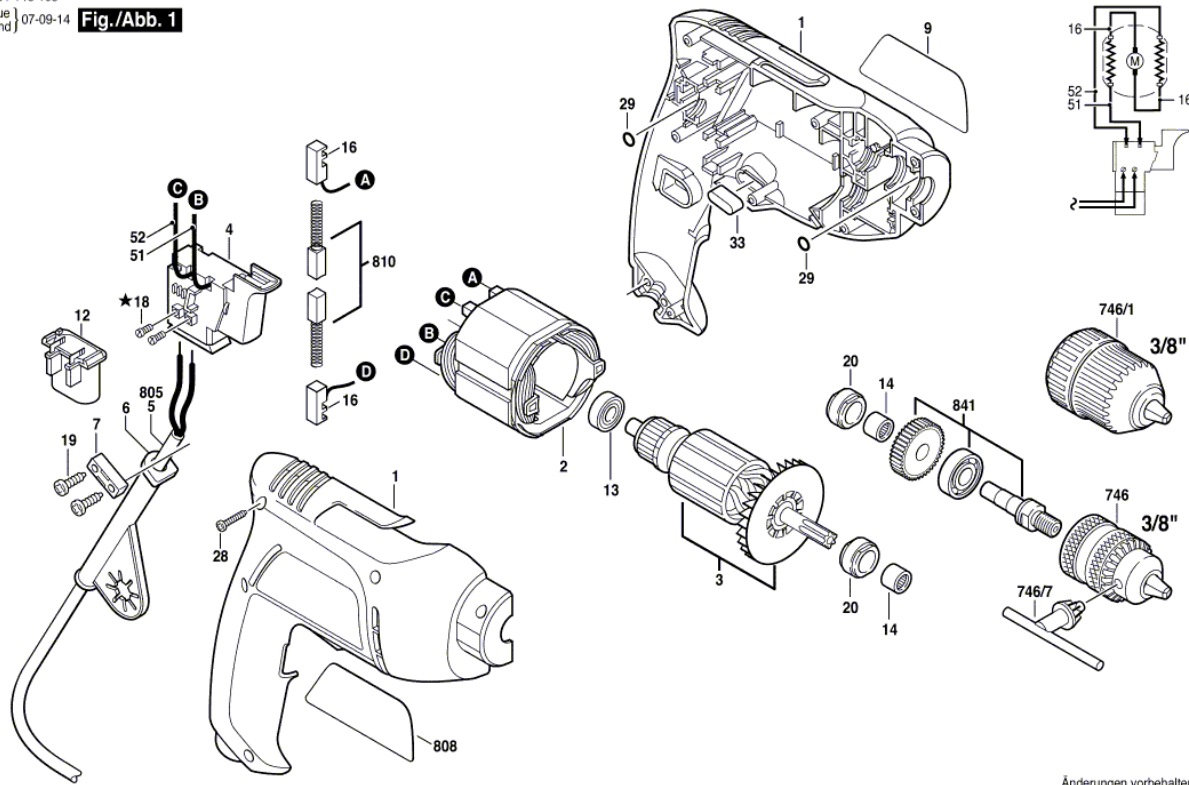
Spare parts list.....	2
Illustration - Type.....	3

Spare parts list

Item	Part Number	Description
1	2 605 104 638	Housing Section BLUE
2	2 604 220 659	Field 220-230V
3	1 604 010 692	Armature 220-240V
4	2 607 200 397	Switch
5	1 604 460 228	Power supply cord H05VV-F TJ 2,65m 2 x 1,0mm
6	2 600 707 059	Grommet Ø6,9 MM
7	2 601 035 001	Cable Clip
9	2 609 913 642	Manufacturer's nameplate
12	2 607 329 114	Suppression Filter
13	2 600 905 032	Ball Bearing 7x19x6
14	2 600 917 003	Needle-Roller Bearing Ø8x8 MM
16	1 604 449 002	Brush Holder
18	2 603 410 001	Socket head cap screw M3x6,5-4.8
19	2 910 611 019	Tapping Screw DIN 7981-ST3,9x16-C-H
20	2 609 110 018	Bearing Piece
28	2 603 435 065	Tapping Screw
29	1 900 210 000	O-Ring 5,0x1,5 MM
33	2 609 100 005	Protection cover
51	2 604 448 045	Cable L=98 MM BLACK
52	2 604 448 018	Connecting Cable L=124 MM WHITE
746	1 608 571 047	Key Chuck Ø 1-10 MM, 3/8"
746/7	2 607 950 007	Chuck Wrench SG2
808	1 601 11A 3H3	Nameplate
810	2 604 321 904	Carbon-Brush Set
841	2 609 110 159	Drilling Spindle

Illustration - Type - E

0 601 145 103
 Issue |
 Stand | 07-09-14 **Fig./Abb. 1**



★ mit Loctite 222 sichern
 secure with Loctite 222

Änderungen vorbehalten
 Modifications reserved
 Modifications réservées
 Salvo modificaciones