



BOSCH

Drill

GBM 6 | 0 601 145 043

Table of Content

Spare parts list.....	2
Illustration - Type.....	3

Spare parts list

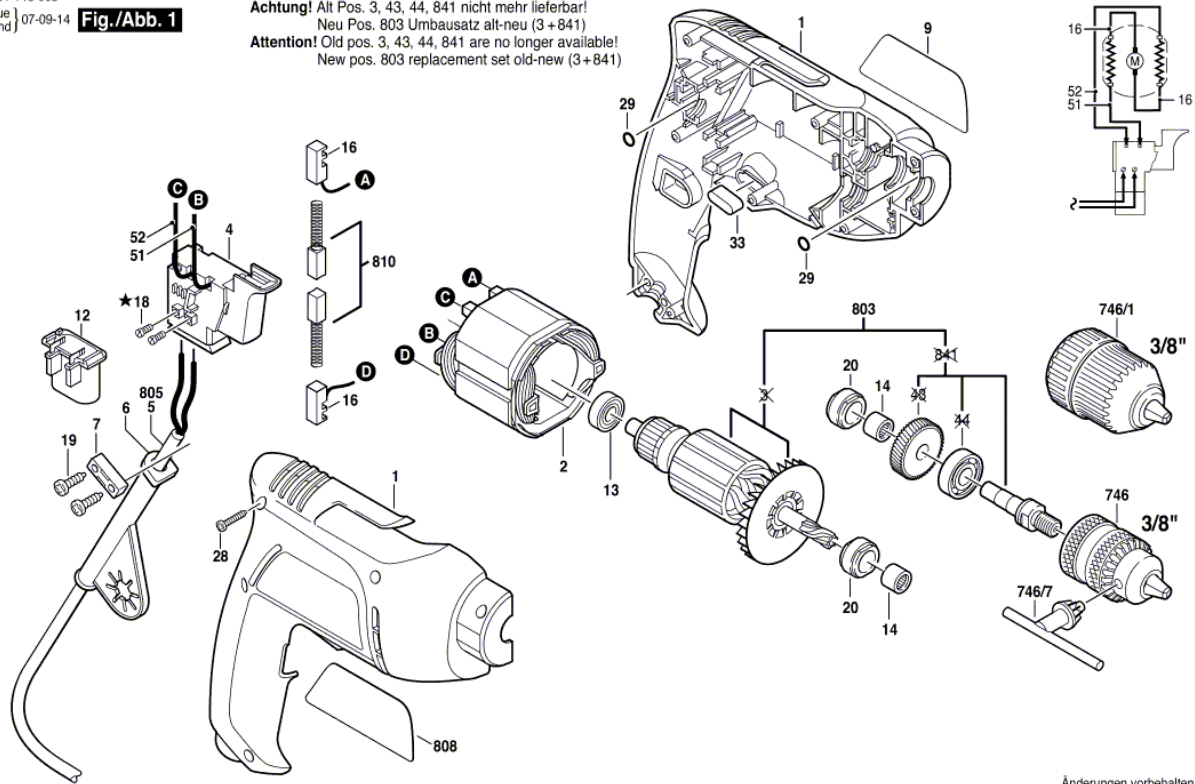
Item	Part Number	Description
1	2 605 104 638	Housing Section BLUE
2	2 604 220 659	Field 220-230V
4	2 607 200 397	Switch
6	2 600 707 062	Grommet Ø7x8,4 MM
7	2 601 035 001	Cable Clip
9	2 609 130 110	Manufacturer's nameplate
12	2 607 329 138	Suppression Capacitor
13	2 600 905 032	Ball Bearing 7x19x6
14	2 600 917 003	Needle-Roller Bearing Ø8x8 MM
16	1 604 449 002	Brush Holder
18	2 603 410 001	Socket head cap screw M3x6,5-4.8
19	2 910 611 019	Tapping Screw DIN 7981-ST3,9x16-C-H
20	2 609 110 018	Bearing Piece
28	2 603 435 065	Tapping Screw
29	1 900 210 000	O-Ring 5,0x1,5 MM
33	2 609 100 005	Protection cover
51	2 604 448 045	Cable L=98 MM BLACK
52	2 604 448 018	Connecting Cable L=124 MM WHITE
746	1 608 571 047	Key Chuck Ø 1-10 MM, 3/8"
746/7	2 607 950 007	Chuck Wrench SG2
803	2 609 199 011	Modification Set 220-240V
805	1 604 460 228	Power supply cord H05VV-F TJ 2,65m 2 x 1,0mm
808	1 601 11A 3H3	Nameplate
810	2 604 321 904	Carbon-Brush Set

Illustration - Type - E

0 601 145 003
Issue |
Stand | 07-09-14

Fig./Abb. 1

Achtung! Alt Pos. 3, 43, 44, 841 nicht mehr lieferbar!
Neu Pos. 803 Umbausatz alt-neu (3 + 841)
Attention! Old pos. 3, 43, 44, 841 are no longer available!
New pos. 803 replacement set old-new (3 + 841)



★ mit Loctite 222 sichern
secure with Loctite 222

Änderungen vorbehalten
Modifications reserved
Modifications réservées
Salvo modificaciones