

Drill - 0 601 144 035 - GBM 450

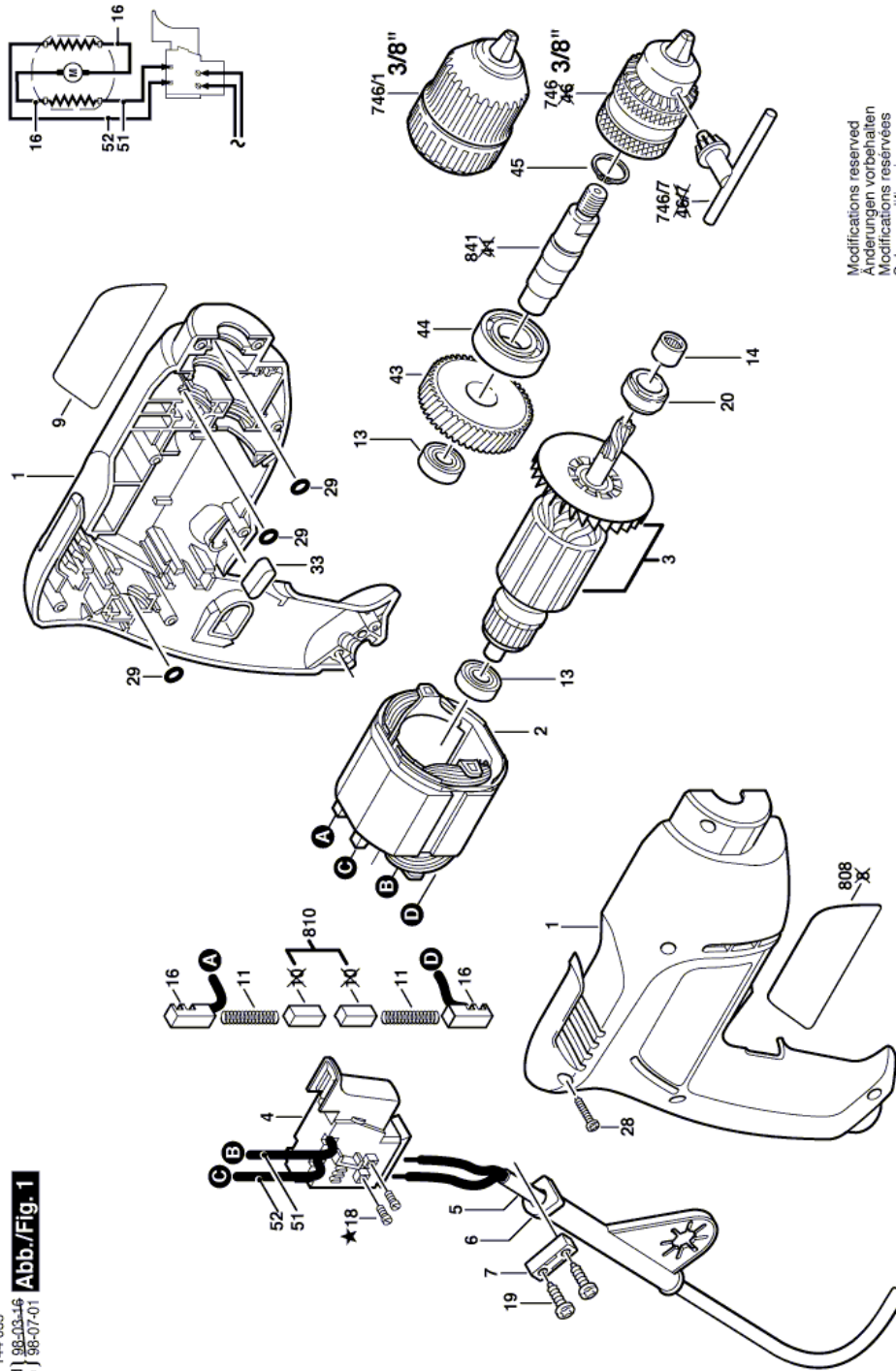
www.powertools-aftersaleservice.com



BOSCH

Item	Part Number	Description	Illustration	Price	Quantity	Price Group
1	2 605 104 590	Housing Section BLUE	1	-,-	1	29
2	2 604 220 627	Field 100V	1	-,-	1	29
3	2 604 011 201	Armature 110-120V	1	-,-	1	33
4	2 607 200 397	Switch	1	-,-	1	19
5	2 604 460 122	Power supply cord USA/CDN 2,15m 2 x 0,82mm SJ 18/2	1	-,-	1	28
6	2 600 707 060	Grommet Ø11,6-Ø12,5x84 MM	1	-,-	1	13
7	2 601 035 001	Cable Clip	1	-,-	1	11
9	2 609 130 107	Manufacturer's nameplate	1	-,-	1	15
13	2 600 905 046	Deep-Groove Ball Bearing 8x19x6	1	-,-	1	23
14	2 600 917 003	Needle bearing Ø8x8 MM	1	-,-	1	14
16	1 604 449 002	Brush Holder	1	-,-	2	11
18	2 603 410 001	Socket head cap screw M3x6,5-4.8	1	-,-	2	11
19	2 910 611 019	Tapping Screw DIN 7981-ST3,9x16-C-H	1	-,-	2	13
20	2 609 110 018	Bearing Piece	1	-,-	1	11
28	2 603 435 065	Tapping Screw	1	-,-	8	11
29	2 600 210 036	O-Ring 5,0x1,75 MM	1	-,-	3	11
33	2 609 100 005	Protection cover	1	-,-	1	11
43	2 609 110 021	Cylindrical Gear Z=45	1	-,-	1	20
44	1 900 905 122	Deep-Groove Ball Bearing 15x32x9	1	-,-	1	22
45	2 916 650 006	Spring retaining ring DIN 471-15x1-FSt	1	-,-	1	11
51	2 604 448 045	Cable L=98 MM BLACK	1	-,-	1	11
52	2 604 448 018	Connecting Cable L=124 MM WHITE	1	-,-	1	11
746	1 608 571 079	Key Chuck Ø1,0-10 MM, 3/8"	1	-,-	1	32
746/7	2 607 950 007	Chuck Wrench SG2	1	-,-	1	18
808	1 601 106 032	Nameplate 26x52 MM	1	-,-	1	13
810	2 604 321 904	Carbon-Brush Set	1	-,-	1	22
841	2 609 110 026	Drilling Spindle 3/8"	1	-,-	1	31

Illustration - Type E



0 601 144 035
 Stand | 98-03-16
 Issue | 98-07-01
Abb./Fig. 1

Modifications reserved
 Änderungen vorbehalten
 Modificaciones reservadas
 Salvo modificaciones
 Robert Bosch GmbH
 Geschäftsbereich Elektrowerkzeuge
 D 70745 Leinfelden-Echterdingen

★ secure with Loctite 222
 mit Loctite 222 sichern

Information subject to change without further notice.