



BOSCH

Drill

GBM 400 | 3 601 AC1 081

Table of Content

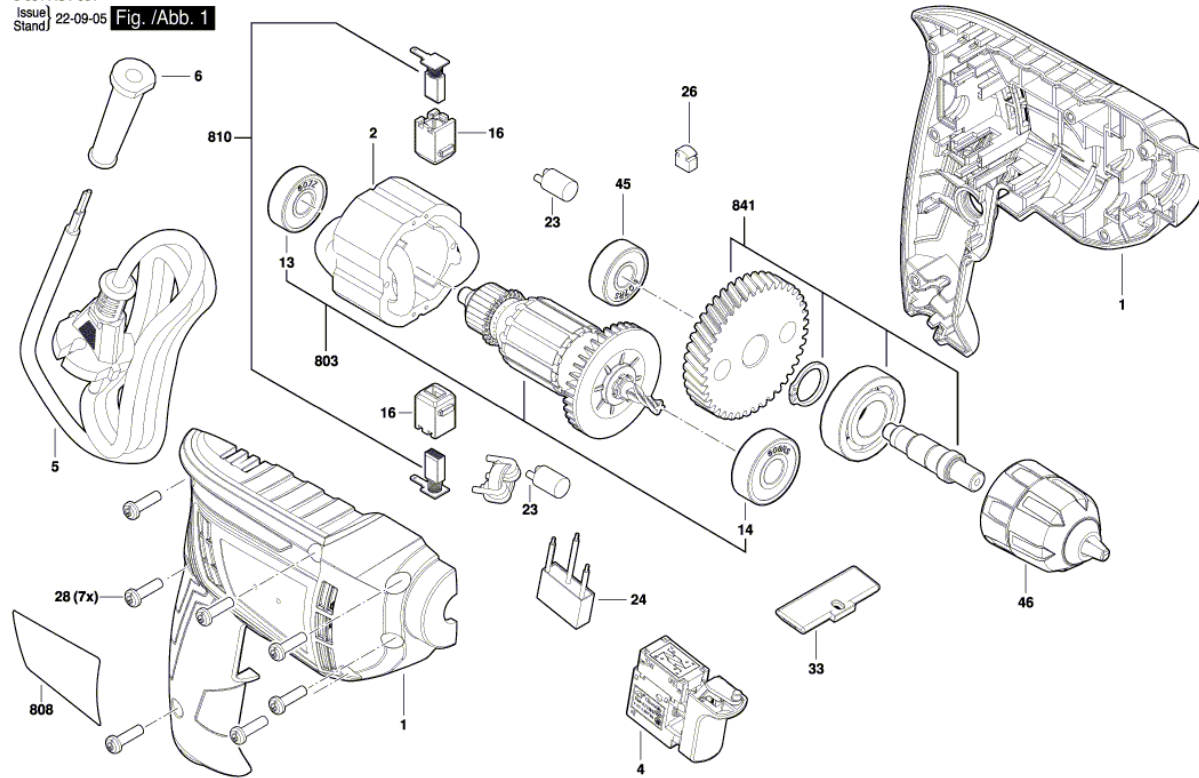
Spare parts list.....	2
Illustration - Type.....	3

Spare parts list

Item	Part Number	Description
1	1 619 PB8 883	Motor Housing
2	1 619 PB8 884	Field
4	1 619 PB8 886	Switch
5	1 619 PB8 887	Power supply cord
6	1 619 PB8 890	Grommet
16	1 619 PB8 899	Brush Holder
23	1 619 PB9 564	Wire Harness assembly
24	1 619 PB8 901	Suppression Capacitor
26	1 619 PB8 903	Felt Seal
28	1 619 PB8 904	Tapping Screw
33	1 619 PB8 905	Reversing Switch
46	1 619 PB8 910	Keyless Chuck
803	1 619 PB8 917	Armature set
808	1 619 PB8 920	Nameplate
810	1 619 PB8 919	Carbon-Brush Set
841	1 619 PB8 918	Drilling Spindle

Illustration - Type - E

3 601 AC1 081
 Issue/Stand | 22-09-05 | Fig. /Abb. 1



Modifications reserved
 Änderungen vorbehalten
 Modifications réservées
 Salvo modificaciones