



BOSCH

Un. 2-Speed Drill

GBM 16-2 E | 0 601 102 134

Table of Content

Spare parts list.....	2
Illustration - Type.....	4

Spare parts list

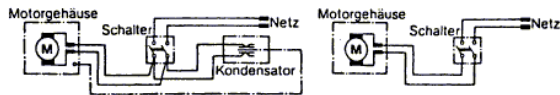
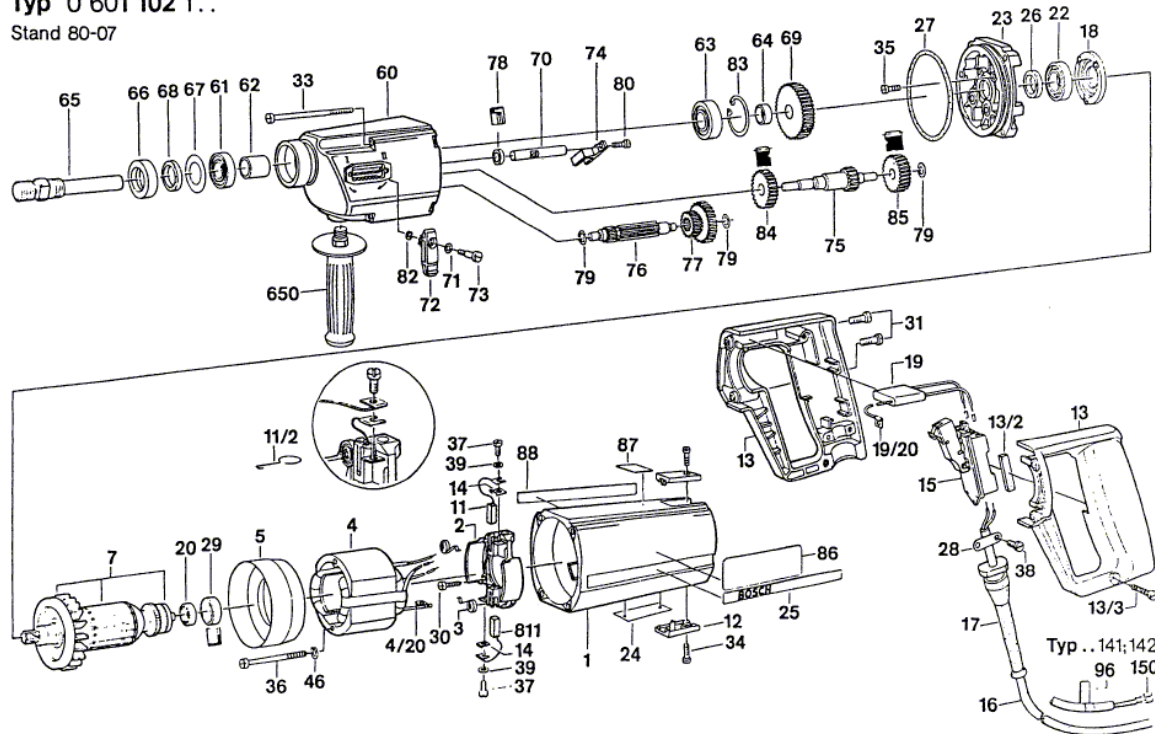
Item	Part Number	Description	Illustration
1	1 609 991 106	Motor Housing BLUE	1
3	1 604 652 001	Spiral Spring	1
4	1 604 220 106	Pole Shoe 115V	1
4/20	1 901 350 003	Terminal lug 1,5-4x4	1
5	1 600 209 002	Air-Deflector Ring	1
7	1 609 991 110	Armature 110-115V	1
11	1 607 014 101	Carbon-Brush Set	1
12	1 605 500 110	Sealing cap BLUE	1
13	3 605 133 019	Handle BLACK	1
14	1 611 331 007	Tab Washer	1
15	1 607 200 037	Switch	1
15	1 607 200 078	Switch	1
16	1 604 460 023	Power supply cord	1
17	1 600 703 022	Grommet Ø7,9-Ø12,0x120 MM	1
18	1 600 501 019	Bearing cover	1
19/20	1 601 353 003	Terminal lug	1
20	2 600 905 032	Ball Bearing 7x19x6	1
22	1 600 900 001	groove ball bearing 17x35x10	1
23	3 605 820 033	Intermediate Bearing	1
25	1 601 110 004	Manufacturer's nameplate	1
26	1 600 108 003	Felt Disc	1
27	1 600 210 006	O-Ring 74,0x3,0 MM	1
28	1 601 302 014	Fastening Clamp	1
29	1 600 502 020	Rubber Bushing	1
30	2 910 211 019	Tapping Screw DIN 7971-ST3,9x16-F	1
31	2 910 021 154	Socket head cap screw DIN 84-AM5x12-8.8	1
33	1 603 435 006	Tapping Screw B4,8x90 MM	1
35	2 910 021 125	Socket head cap screw DIN 84-AM4x15-8.8	1
36	2 910 021 176	Dummy DIN 84-BM5x55-8.8	1
38	2 910 021 116	Socket head cap screw DIN 84-AM4x6-8.8	1
46	2 916 680 006	Spring Lock Washer DIN 127-B 5	1
60	1 605 806 186	Spindle Bearing	1
61	1 900 900 201	groove ball bearing 15x32x8	1
62	1 600 300 026	Spacer Bushing	1
63	1 900 900 303	groove ball bearing 15x35x11	1

Spare parts list

Item	Part Number	Description	Illustration
64	1 600 300 027	Spacer Bushing	1
65	1 603 523 093	Drilling Spindle 5/8"x16 UN	1
66	3 607 030 355	Retaining snap ring	1
67	1 600 102 003	Shim 0,5 MM THICK	1
68	1 600 108 000	Sealing disk	1
69	1 606 317 045	Cylindrical Gear Z=50	1
70	1 603 104 005	Adjusting bolt	1
71	1 420 100 620	Shim 0,2 MM THICK	1
72	1 602 026 026	Control Lever	1
73	1 603 413 005	Socket head cap screw M3,5x5,5 MM	1
74	1 602 120 006	Control Lever	1
75	1 606 328 048	Spindle With Gear Z=20/33/50	1
76	1 606 309 036	Spindle With Gear Z=12	1
77	1 606 328 058	Cylindrical Gear Z=12/20/36	1
78	1 600 283 003	Rotary shaft lip seal	1
79	1 600 100 631	Shim 0,5 MM THICK	1
80	2 910 021 122	Socket head cap screw DIN 84-AM4x12-8.8	1
82	2 916 680 004	Spring Lock Washer DIN 127-B3,5	1
83	2 916 660 014	Spring retaining ring DIN 472 35x1,5 MM	1
84	1 606 317 043	Cylindrical Gear Z=35	1
85	1 606 320 041	Cylindrical Gear Z=33	1
88	1 601 110 076	Reference Plate	1
650	1 602 025 022	Auxiliary Handle M14 BLACK	1
650	1 602 025 09Z	Auxiliary Handle	1

Illustration - Type - E

Typ 0 601 102 1..
Stand 80-07



Änderungen vorbehalten
Modifications reserved
Modifications réservées
Salvo modificaciones
Robert Bosch GmbH
Geschäftsbereich Elektrowerkzeuge
D 7022 Leinfelden-Echterdingen 1

