



BOSCH

Rotary Hammer

GBH 8-45 D | 3 611 B65 180

Table of Content

| | |
|--------------------------|---|
| Spare parts list..... | 2 |
| Illustration - Type..... | 5 |

Spare parts list

| Item | Part Number | Description |
|------|---------------|---|
| 1 | 1 615 108 165 | Motor Housing |
| 2 | 1 614 220 124 | Field 220-240V |
| 4 | 1 617 200 130 | Switch |
| 5 | 1 614 460 088 | Power supply cord CN 4,15m 2 x 1,0mm H07 RN-F |
| 6 | 1 610 703 053 | Grommet Ø9,7-Ø12x89 MM |
| 7 | 1 601 302 018 | Fastening Clamp |
| 9 | 1 601 11C 0U8 | Manufacturer's nameplate |
| 13 | 1 610 900 026 | groove ball bearing 8x24x8 |
| 14 | 1 610 910 096 | Needle-Roller Bearing |
| 15 | 1 616 610 109 | Fan |
| 21 | 1 610 508 038 | Protective Cap |
| 22 | 1 610 591 051 | Protection Sleeve |
| 23 | 1 610 520 006 | Stop Sleeve |
| 24 | 1 610 500 025 | Headed Bush |
| 25 | 1 612 300 027 | Stopping Device |
| 26 | 1 600 A01 9WL | Indexing Disk |
| 27 | 1 600 591 05C | Air-Deflector Ring |
| 28 | 1 614 621 010 | Compression Spring |
| 31 | 1 610 290 129 | Damping Ring |
| 35 | 1 615 806 249 | Hammer Pipe |
| 37 | 1 610 322 018 | Control Bushing |
| 38 | 1 615 190 178 | Covering hood |
| 42 | 1 614 336 090 | Brush Holder |
| 43 | 1 615 500 435 | Brush-Cover |
| 44 | 1 614 621 020 | Compression Spring |
| 45 | 1 610 591 052 | Holding-Down-Appliance |
| 47 | 1 610 300 076 | Gear Sleeve |
| 48 | 1 619 990 177 | Clutch Sleeve |
| 52 | 1 610 224 015 | Retaining snap ring |
| 54 | 1 600 A01 9Z4 | Spacer Tube |
| 58 | 1 616 317 620 | Cylindrical Gear |
| 59 | 1 615 805 074 | Bearing Pedestal |
| 72 | 1 616 317 090 | Eccentric Cog Wheel |
| 80 | 1 607 233 5R4 | Speed governor |

Spare parts list

| Item | Part Number | Description |
|------|---------------|---------------------------------------|
| 94 | 1 610 290 111 | Supporting Disc |
| 95 | 1 613 120 023 | Driving Pin |
| 98 | 1 610 101 015 | Shim ring 1,0 MM THICK |
| 99 | 1 600 220 029 | Backup ring |
| 104 | 1 610 190 027 | Stop Disc |
| 110 | 1 610 190 073 | Seal Ring |
| 111 | 1 610 290 046 | Bushing |
| 112 | 1 613 300 007 | Hex Nut |
| 113 | 1 613 412 001 | Tapping Screw B 4,8x68 MM |
| 115 | 1 610 300 086 | Bushing |
| 116 | 1 610 913 029 | Needle-Roller Assembly |
| 117 | 1 610 913 023 | Needle-Roller Assembly |
| 119 | 1 610 910 081 | Needle-Roller Bearing |
| 120 | 1 610 190 080 | Spacer Tube |
| 122 | 1 610 290 128 | Spacer Ring |
| 125 | 1 613 435 040 | Torx Oval-Head Screw |
| 126 | 2 603 490 023 | Torx Oval-Head Screw 4x20 |
| 127 | 1 610 300 079 | Bushing |
| 129 | 1 610 300 080 | Bushing |
| 138 | 1 611 015 064 | Sealing Frame |
| 142 | 1 610 290 112 | Rotary shaft lip seal |
| 143 | 1 614 601 072 | Retaining ring |
| 144 | 1 610 103 025 | Supporting Disc |
| 151 | 1 610 210 222 | O-Ring |
| 152 | 1 614 601 073 | Retaining ring |
| 153 | 2 916 540 017 | Retaining ring DIN 7993 A 30 |
| 154 | 2 916 660 027 | Spring retaining ring DIN 472 62x2 MM |
| 155 | 1 614 601 074 | Retaining ring |
| 157 | 1 610 210 103 | O-Ring 33,0x2,0 MM |
| 158 | 1 610 210 224 | O-Ring |
| 160 | 1 610 210 246 | O-Ring |
| 161 | 1 610 210 227 | Damping Ring |
| 162 | 1 600 210 080 | O-Ring |
| 165 | 1 610 290 125 | Seal Ring |
| 166 | 1 613 200 020 | Cylindrical Roller |

Spare parts list

| Item | Part Number | Description |
|------|---------------|---------------------------|
| 167 | 1 610 290 12A | Rotary shaft lip seal |
| 168 | 1 610 206 027 | Packing Washer |
| 171 | 1 613 414 026 | Torx socket button screw |
| 172 | 1 613 435 041 | Torx Oval-Head Screw |
| 175 | 2 603 490 021 | Torx Oval-Head Screw 4x12 |
| 180 | 1 619 P07 627 | Sticker |
| 189 | 1 615 133 039 | Handle |
| 190 | 1 615 500 438 | Handle Cover |
| 206 | 1 612 386 006 | Holding strip |
| 801 | 1 610 102 096 | Shim 0,45 MM |
| 802 | 1 610 102 095 | Shim 0,30 MM |
| 803 | 1 614 010 267 | Armature 230V |
| 808 | 1 601 11A 3H5 | Nameplate |
| 810 | 1 617 000 A50 | Carbon-Brush Set |
| 820 | 1 618 597 102 | Toolholder |
| 821 | 1 610 508 058 | Plain bearing |
| 840 | 1 617 000 A29 | Impact Mechanism Housing |
| 841 | 1 617 000 A4R | Striker Pin |
| 849 | 1 617 000 A31 | Control Fork |
| 853 | 1 610 231 004 | Guide Bushing |
| 856 | 1 617 000 A32 | Hammer Piston |
| 857 | 1 617 000 A33 | Striker |
| 860 | 1 607 000 EL4 | Spur Wheel Clutch |
| 872 | 1 617 000 A35 | Eccentric |
| 873 | 1 617 000 A36 | Housing Cover |
| 895 | 1 600 A00 168 | Guide Plate |
| 899 | 1 600 A00 4E6 | Service package |
| 84 | 1 602 025 07H | Auxiliary Handle |
| 85 | 1 618 040 095 | Support clamp |
| 661 | 1 615 430 010 | Grease Tube 30 ML |
| 691 | 1 615 438 51A | Carrying Case |
| 884 | 1 612 025 004 | Auxiliary Handle |
| 887 | 1 617 000 807 | Clamping Band Ø87 MM |

Illustration - Type - E

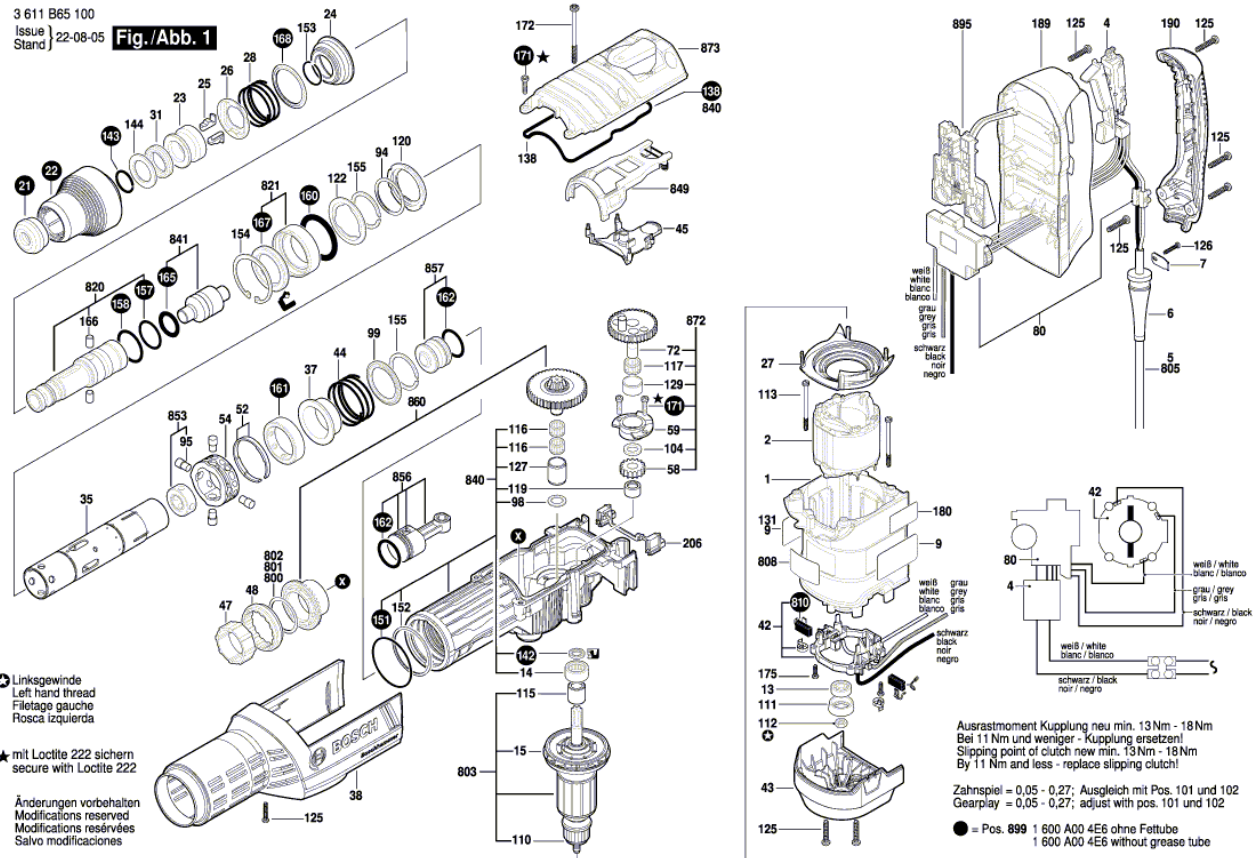
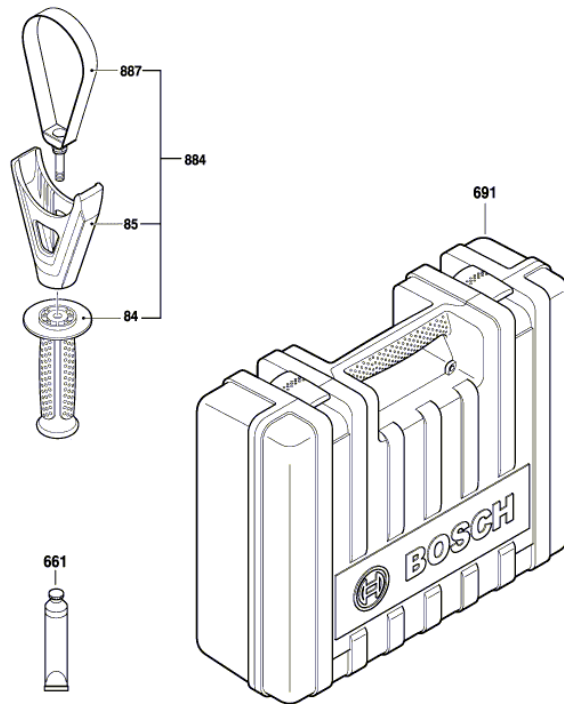


Illustration - Type - E

3 611 B65 100
Issue |
Stand | 17-03-29 **Fig./Abb. 2**



Änderungen vorbehalten
Modifications reserved
Modifications réservées
Salvo modificaciones