



BOSCH

Rotary Hammer

GBH 5-40 D | 3 611 B69 080

Table of Content

Spare parts list.....	2
Illustration - Type.....	5

Spare parts list

Item	Part Number	Description
1	1 619 P07 704	Motor Housing
2	1 619 P08 323	Field 220-240V
4	1 619 P10 396	Switch
5	1 614 460 075	Power supply cord H07 RN-F CN 4,15m 2 x 1,0mm
6	1 619 P07 722	Grommet
7	1 601 302 018	Fastening Clamp
20	1 619 P10 164	Toolholder
21	1 619 P07 829	Protective Cap
22	1 619 P10 160	Protection Sleeve
25	1 619 P07 742	Stopping Device
27	1 619 P07 739	Air-Deflector Ring
28	1 614 621 000	Compression Spring
29	1 619 P10 163	Bushing
30	1 619 P10 162	Supporting Disc
31	1 619 P07 743	Supporting Disc
34	1 619 P10 165	Flange
35	1 619 P10 167	Hammer Pipe
37	1 619 P10 377	Cylindrical Roller
38	1 619 P10 168	Covering hood
42	1 619 P07 754	Brush Holder
43	1 619 P10 171	Fan Cover
44	1 619 P10 381	Compression Spring
45	1 610 499 070	Control Bushing
46	1 619 P10 172	Perforated Ring
47	1 610 300 064	Gear Sleeve
48	1 616 334 012	Clutch Sleeve
51	1 607 000 E7U	Spur Wheel Clutch
53	1 610 290 068	Support Disc
54	1 619 P11 329	Guide Bushing
57	1 618 710 091	Striker
69	1 610 099 004	Retaining Bracket
72	1 600 A01 4S9	Eccentric Cog Wheel
74	1 611 921 001	Guide Plate
75	1 619 P10 176	Handle

Spare parts list

Item	Part Number	Description	
76	1 619 P11 754	Terminal Block	
79	1 613 435 015	Torx Oval-Head Screw	M5x12-TORX,T25 SILVER
80	1 619 P09 589	Speed governor	
81	1 619 P10 177	Handle Cover	
94	1 610 102 056	Friction Washer	
95	1 610 210 173	O-Ring	32,0x1,5 MM
97	1 610 031 005	Locking Washer	
99	1 610 102 059	Support Disc	
100	1 613 120 022	Driving Pin	
101	1 610 499 073	Retaining snap ring	
102	1 610 102 057	Shim	0,3 MM
102	1 610 102 058	Shim	0,2 MM
104	1 610 210 160	O-Ring	52,0x2,0 MM
111	1 610 290 064	Bushing	
112	1 619 P10 179	Ring Magnet	
113	1 613 435 009	Tapping Screw	ST-4,8x57,5-TORX,T20
117	1 610 913 004	Needle-Roller Assembly	Ø13 MM
120	1 610 590 019	Stop Sleeve	
125	1 613 435 014	Torx Oval-Head Screw	M5x16-TORX,T25 SILVER
126	2 910 211 019	Tapping Screw	DIN 7971-ST3,9x16-F
129	1 619 P10 181	Holding Sleeve	
130	1 619 P10 182	Cover	
138	1 611 015 053	Sealing Frame	
141	1 610 290 066	Rotary shaft lip seal	
142	1 619 P10 106	Rotary shaft lip seal	
143	1 614 601 021	Retaining ring	DIN 7993-28x2
145	1 610 119 012	Spring retaining ring	
150	2 917 790 174	Slotted Spring Pin	
154	2 916 660 023	Spring retaining ring	DIN 472 52x2MM
158	1 614 601 070	Retaining ring	
160	1 610 290 095	Damping Ring	
161	1 610 290 094	Damping Ring	
162	1 610 210 204	O-Ring	22,5x3,5 MM
163	1 610 290 065	Seal Ring	

Spare parts list

Item	Part Number	Description		
165	1 610 210 079	O-Ring	22,0x4,0 MM	
167	1 610 283 033	Rotary shaft lip seal		
168	1 610 210 144	O-Ring	22,0x3,0 MM	
171	1 619 P07 816	Torx Oval-Head Screw SILVER	M5x16-TORX, T25	
172	1 613 435 013	Torx Oval-Head Screw SILVER	M6x30-TORX,T30	
173	2 910 611 019	Tapping Screw	DIN 7981-ST3,9x16-C-H	
175	1 619 P00 228	Screw		
176	1 613 435 012	Torx Oval-Head Screw SILVER	M4,8x25-TORX,T25	
177	2 603 490 024	Torx Oval-Head Screw	4x25	
178	1 619 P10 286	Connecting Cable		
179	1 619 P07 815	Screw		
803	1 619 P10 769	Armature	220-240V	
803/13	1 610 900 026	groove ball bearing	8x24x8	
803/14	1 610 905 041	groove ball bearing	12x32x10	
811	1 617 014 138	Carbon-Brush Set		
817	1 614 652 004	Spiral Spring		
821	1 619 P10 749	Bushing		
840	1 619 P10 770	Impact Mechanism Housing		
841	1 619 P10 752	Striker Pin		
849	1 617 000 839	Control Fork		
854	1 619 P10 847	Guide Bushing		
856	1 619 P10 765	Hammer Piston		
860	1 619 P10 766	Spur Wheel Clutch		
873	1 619 P10 767	Housing Cover		
897	1 619 P10 768	Wear and Tear Part Set		
84	1 612 025 060	Auxiliary Handle	M8	BLACK
85	1 619 P07 774	Support clamp		
86	1 613 490 002	T-Head Bolt	M8x40 MM	
87	1 619 P07 776	Clamping Band		
661	1 615 430 010	Grease Tube	30 ML	
691	1 605 438 1D1	Carrying Case		
884	1 619 P07 778	Auxiliary Handle		

Illustration - Type - E

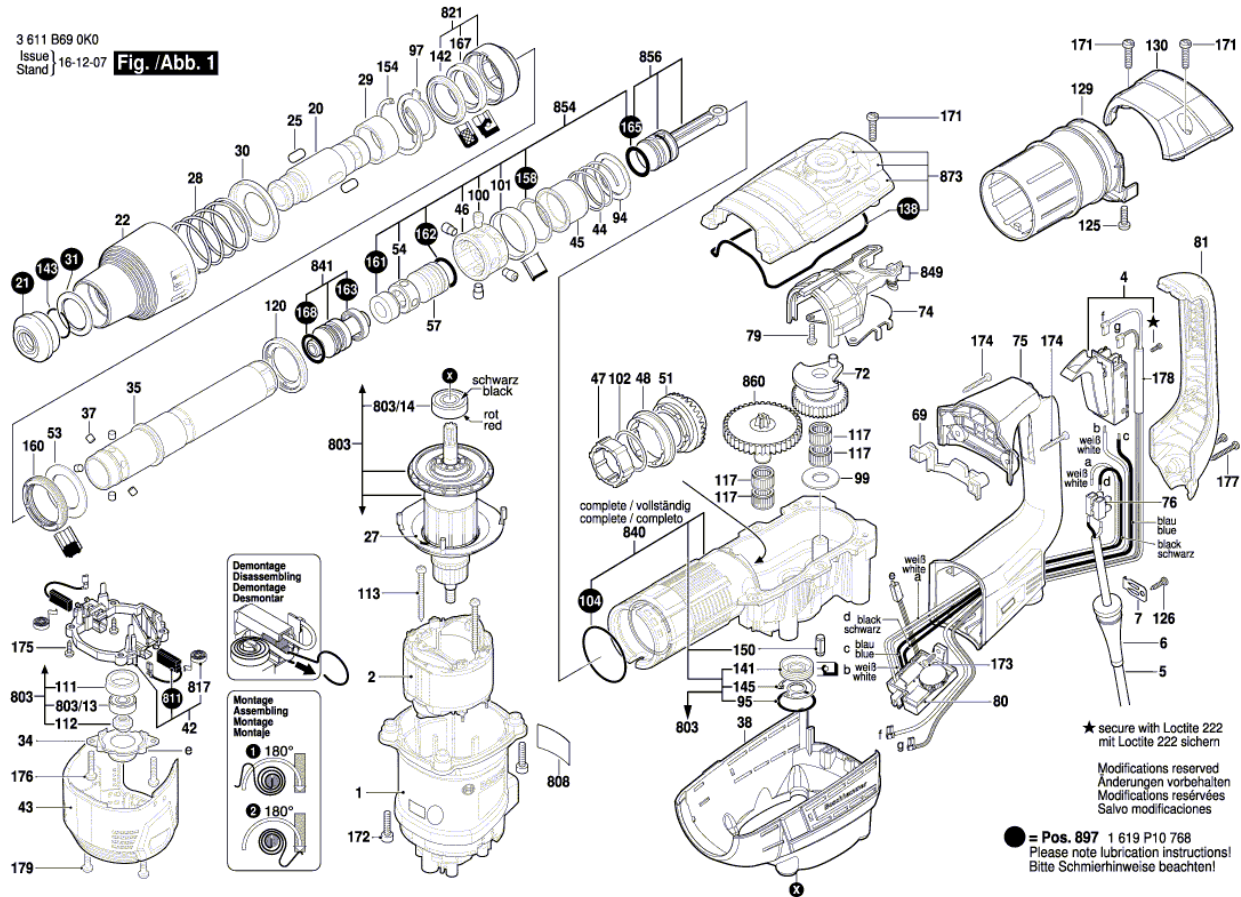
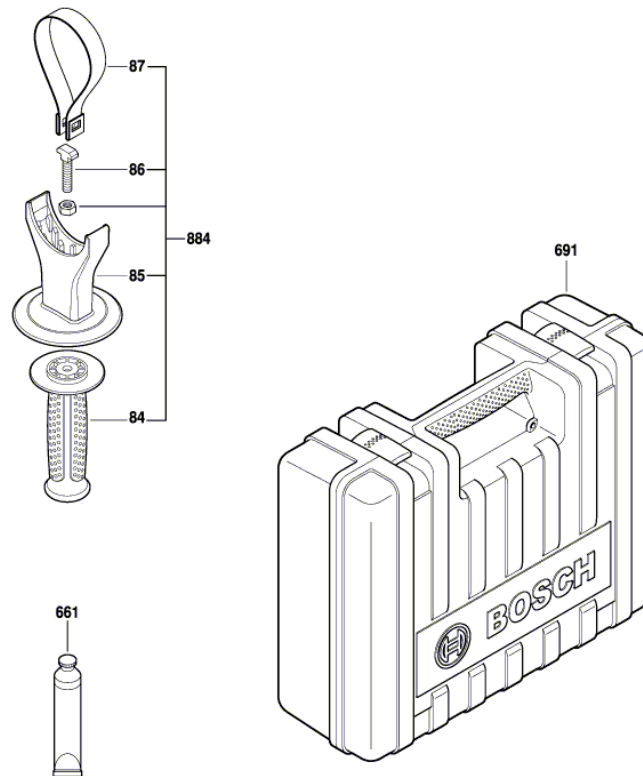


Illustration - Type - E

3 611 B69 0K0
Issue | 17-03-29
Stand | **Fig./Abb. 2**



Änderungen vorbehalten
Modifications reserved
Modificaciones reservadas
Salvo modificaciones