



**BOSCH**

# Rotary Hammer

GBH 5-38 D | 0 611 240 043

---

## Table of Content

Spare parts list.....	2
Illustration - Type.....	5

## Spare parts list

Item	Part Number	Description
1	1 619 P10 299	Motor Housing
2	1 619 P01 908	Field 220-240V
5	1 614 460 075	Power supply cord H07 RN-F CN 4,15m 2 x 1,0mm
6	1 610 703 053	Grommet Ø9,7-Ø12x89 MM
7	1 601 302 019	Fastening Clamp
9	1 611 110 C18	Manufacturer's nameplate GBH 5-38 D
12	1 607 328 052	Suppression Filter
13	1 610 900 026	groove ball bearing 8x24x8
14	1 610 905 041	groove ball bearing 12x32x10
15	1 616 610 085	Fan
21	1 610 508 038	Protective Cap
22	1 610 591 025	Protection Sleeve
25	1 612 300 034	Stopping Device
27	1 600 591 032	Air-Deflector Ring
28	1 614 621 000	Compression Spring
30	1 610 505 002	Supporting Disc
31	1 610 251 006	Supporting Disc
34	1 610 516 013	Flange
38	1 619 P09 925	Covering hood
42	1 614 336 041	Brush Holder
43	1 615 500 303	Fan Cover
44	1 614 617 003	Compression Spring
47	1 610 300 064	Gear Sleeve
48	1 616 334 012	Clutch Sleeve
53	1 610 290 068	Support Disc
57	1 618 710 074	Striker
69	1 610 099 004	Retaining Bracket
72	2 608 670 746	Eccentric Cog Wheel
74	1 611 921 001	Guide Plate
75	1 619 P10 300	Handle
79	1 613 435 015	Torx Oval-Head Screw M5x12-TORX,T25 SILVER
81	1 615 132 079	Handle Cover
94	1 610 102 056	Friction Washer
95	1 610 210 173	O-Ring 32,0x1,5 MM

Spare parts list

Item	Part Number	Description
97	1 610 031 005	Locking Washer
99	1 610 102 059	Support Disc
102	1 610 102 057	Shim 0,3 MM
102	1 610 102 058	Shim 0,2 MM
104	1 610 210 160	O-Ring 52,0x2,0 MM
111	1 610 290 064	Bushing
112	1 613 300 008	Hex Nut DIN 936-M8x1-8
113	1 613 435 009	Tapping Screw ST-4,8x57,5-TORX,T20
116	1 610 311 017	Inner Ring
117	1 610 913 029	Needle-Roller Assembly
121	1 610 328 019	Bushing
124	1 619 P10 303	Collar Sleeve
126	2 603 490 022	Screw 4x16
138	1 619 P10 252	Sealing Frame
141	1 610 290 066	Rotary shaft lip seal
142	1 619 P10 106	Rotary shaft lip seal
143	1 614 601 021	Retaining ring DIN 7993-28x2
145	1 610 119 012	Spring retaining ring
154	2 916 660 023	Spring retaining ring DIN 472 52x2MM
160	1 610 210 161	Damping Ring
162	1 610 210 163	O-Ring 22,0x3,5 MM
163	1 610 290 065	Seal Ring
165	1 610 210 079	O-Ring 22,0x4,0 MM
167	1 610 283 033	Rotary shaft lip seal
171	1 613 435 016	Torx Oval-Head Screw M5x20-TORX,T25 SILVER
172	1 613 435 013	Torx Oval-Head Screw M6x30-TORX,T30 SILVER
174	1 613 435 012	Torx Oval-Head Screw M4,8x25-TORX,T25 SILVER
175	2 912 401 018	Tapping Screw DIN7981-ST3,9x13-C-Z
177	1 603 435 051	Tapping Screw ST3,9x32 SILVER
178	1 604 412 069	Connecting Cable
803	1 619 P06 002	Armature
804	1 617 200 109	Switch
806	3 604 477 009	End Splice

## Spare parts list

Item	Part Number	Description
808	1 619 P02 077	Nameplate
811	1 617 014 138	Carbon-Brush Set
817	1 614 652 004	Spiral Spring
818	2 910 011 088	Socket head cap screw    DIN 84-AM3,5x12-5.8
821	1 617 000 842	Bushing
835	1 617 000 841	Hammer Pipe
840	1 617 000 840	Impact Mechanism Housing
841	1 617 000 460	Striker Pin
849	1 617 000 839	Control Fork
854	1 617 000 461	Stop Disc
856	1 617 000 843	Hammer Piston
860	1 607 000 E7U	Spur Wheel Clutch
873	1 617 000 860	Housing Cover
897	1 617 000 A16	Wear and Tear Part Set
84	1 602 025 07H	Auxiliary Handle
85	1 619 P09 926	Support clamp
86	1 613 490 002	T-Head Bolt    M8x40 MM
87	1 611 316 019	Clamping Band    Ø62 MM
661	1 615 430 010	Grease Tube    30 ML
884	1 612 025 055	Auxiliary Handle    Ø62 MM    BLACK
886	1 617 000 459	Auxiliary Handle    M8    BLACK
895	1 615 430 019	Oil Reservoir    1000 ML
898	1 615 437 511	Oil Reservoir    50 ML

Illustration - Type - E

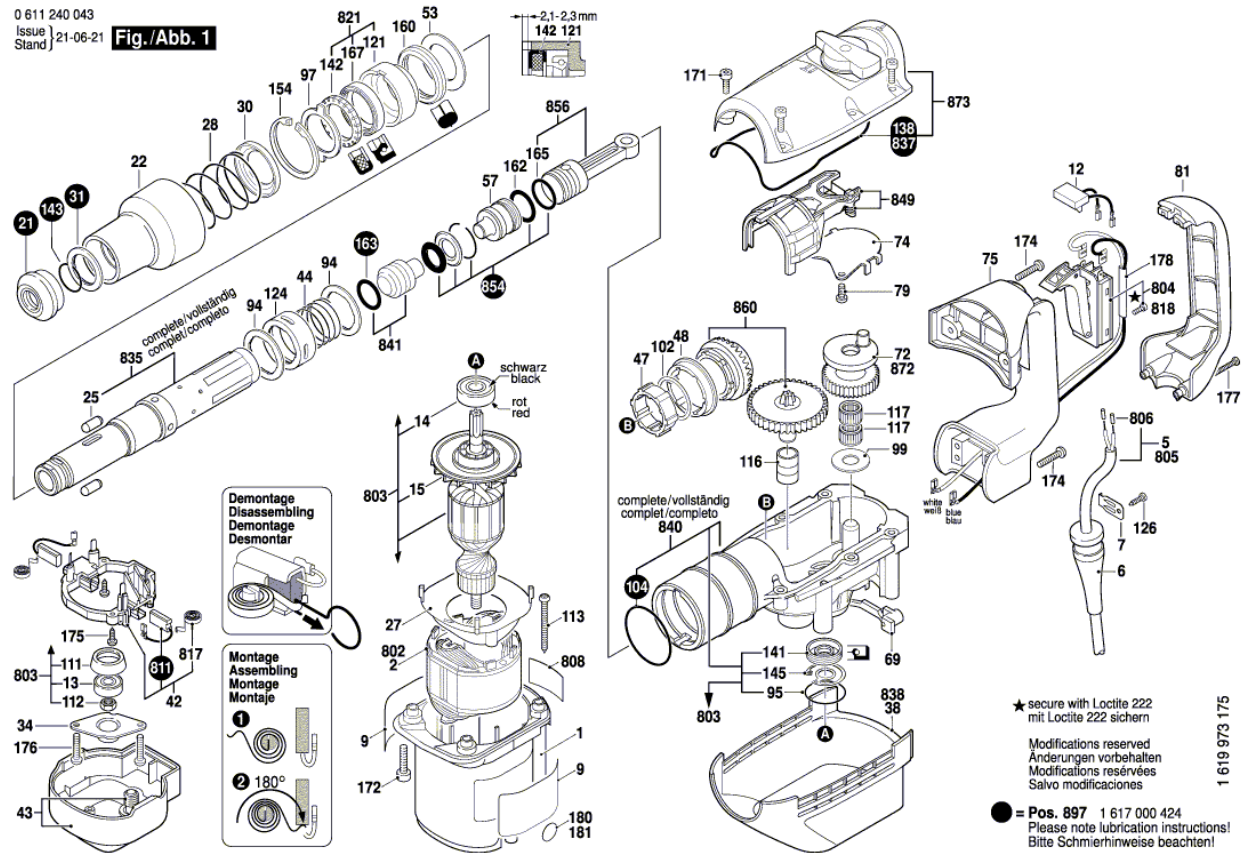
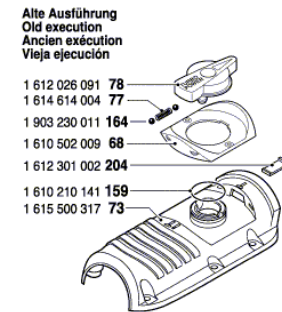
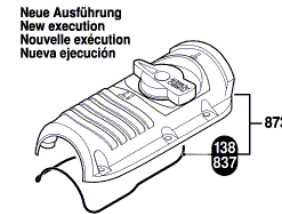
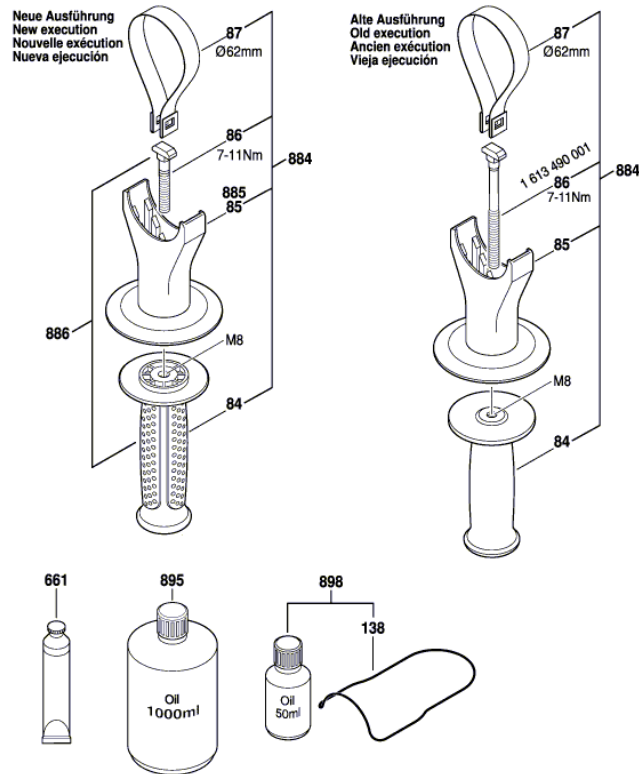


Illustration - Type - E

0 611 240 043  
 Issue | 14-08-22  
 Stand | **Fig./Abb. 2**



Änderungen vorbehalten  
 Modifications reserved  
 Modifications réservées  
 Salvo modificaciones