



**BOSCH**

# Rotary Hammer

GBH 4 DSC | 0 611 222 743

---

## Table of Content

Spare parts list.....	2
Illustration - Type.....	6

Spare parts list

Item	Part Number	Description
1	1 615 108 059	Motor Housing BLUE
2	2 604 220 549	Field 230-240V
3	1 614 010 128	Armature With Fan 220-230V
5	1 614 460 073	Power supply cord H07 RN-F CN 4,15m 2 x 1,0mm
6	1 610 703 053	Grommet Ø9,7-Ø12x89 MM
7	1 601 302 018	Fastening Clamp
9	1 611 110 633	Manufacturer's nameplate
13	1 610 905 025	groove ball bearing 7x19x6
14	1 900 900 289	groove ball bearing 12x28x8
15	1 606 610 132	Fan
16	1 614 336 019	Brush Holder
17	1 617 233 018	Speed governor 230V
18	1 610 591 011	Air-Deflector Ring
22	1 616 317 602	Cylindrical Gear Z=50
24	1 617 000 500	Toothed Shaft Z=3/9
26	1 618 700 063	Hammer Piston
27	1 618 710 060	Striker
28	1 613 124 043	Striker Pin
29	1 613 105 012	Piston Pin
32	1 612 026 037	Clamp Handle BLACK
33	1 610 190 016	Perforated disk
34	1 610 005 000	Felt Disc
35	1 610 206 021	Rubber Ring
36	1 610 390 016	Guide Bushing
37	1 610 390 032	Damping Bushing Ø21 MM
38	1 610 102 026	Supporting Disc
41	1 610 101 011	Shim washer 1,2 MM THICK
42	1 610 202 015	Plain bearing
43	1 611 098 005	Tab Washer
44	1 615 820 092	Switching Element
45	1 614 651 014	Switch Spring
46	1 614 690 002	Driver Pin
48	1 611 016 003	Holding Plate
49	1 612 026 035	Switch Button RED

Spare parts list

Item	Part Number	Description		
50	1 618 598 175	Quick-Change Collet Chuck	L=70 MM SDS-PLUS	
50/9	1 610 508 026	Protective Cap	L=21,5 MM, SDS-PLUS	
50/9	1 610 508 037	Protective Cap	L=21,0 MM, SDS-TOP	
50/9/2	1 610 508 008	Protective Cap	L=17 MM, SDS-PLUS	
52	1 615 500 289	Cover	BLUE	
57	1 610 390 025	Stop Bushing		
58	1 610 390 026	Guide Ring		
59	1 610 910 080	Needle bearing		
60	1 610 910 073	Needle-Roller Bearing		
61	1 610 910 098	Needle bearing		
62	1 610 200 020	Plain bearing		
62	1 610 910 074	Needle bearing		
63	1 610 910 064	Needle bearing		
64	1 610 913 010	Needle-Roller Assembly		
65	1 610 591 016	Plain bearing		
67	1 610 905 016	groove ball bearing		
68	1 610 119 009	Retaining ring		
69	1 610 283 041	Rotary shaft lip seal		
70	1 610 283 023	Rotary shaft lip seal		
71	1 610 290 029	Scraper		
73	1 610 210 121	O-Ring	17,0x3,0 MM	GREEN
74	1 610 210 104	O-Ring	11,0x3,5 MM	
75	1 610 210 159	O-Ring	18,0x3,5 MM	
76	1 610 210 046	O-Ring	10,5x2,7 MM	
77	1 610 210 106	O-Ring	60,0x3,0 MM	
78/1	1 610 134 005	Shim	0,1 MM	THICK
78/2	1 610 134 006	Shim	0,2 MM	THICK
80	1 614 634 006	Compression Spring		
81	1 614 611 009	Compression Spring		
83	1 614 611 006	Compression Spring		
84	1 610 101 627	Supporting Disc	1,2 MM	THICK
85	1 614 601 011	Retaining ring		
86	1 614 601 024	Retaining ring		
87	1 610 390 027	Screw Bushing		

Spare parts list

Item	Part Number	Description
88	1 613 200 007	Roller
89	2 910 141 168	Hex Socket Head Cap Screw    DIN 912-M 5x35-8.8
91	2 910 211 036	Tapping Screw    DIN 7971-ST4,8x25-F
91/1	2 910 211 038	Tapping Screw    DIN 7971-ST4,8x38-F
92	2 912 401 019	Tapping Screw    DIN7981-ST3,9x16-C-Z
93	2 910 141 162	Hex Socket Head Cap Screw    DIN 912- M5x20-8.8
94	2 603 435 015	Cross Recessed-Head Screw    DIN 7981- ST3,5x9,5-F
95	2 910 091 082	Pan head screw    DIN 85-M3,5x6-4.8
96	2 912 401 018	Tapping Screw    DIN7981-ST3,9x13-C-Z
98	1 612 026 050	Switch-Pawl    GRAY
99	2 910 211 005	Tapping Screw    DIN 7971-ST2,9x9,5-F
106	1 615 510 000	Light Conductor
110	1 611 110 634	Reference Plate    WORKING INSTRUCTIONS
180	1 611 110 855	Sticker
325/54	1 616 333 029	Crown Gear    Z=32
325/79	2 600 210 003	O-Ring    40,0x1,5 MM
808	1 601 11A 3H3	Nameplate
816/010	1 617 014 124	Carbon-Brush Set
816/012	1 613 212 004	Rubber Buffer
816/08	1 611 323 002	Contact Strap
816/09	1 614 652 002	Spiral Spring
819	1 617 000 976	Impact Mechanism Housing
820	1 617 000 315	Gear Housing
821	1 617 000 978	Ratchet Sleeve
821/01	1 617 000 979	Ratchet Sleeve
823	1 616 328 044	Gear Sleeve    Z=25
825	1 615 805 064	Bearing Flange
826	1 617 000 516	Toothed Shaft    Z=3/9
830	1 615 819 022	Drive bearing
853	1 617 000 196	Pinion    Z=15
855	1 617 000 982	Jack Shaft    Z=9
865	1 610 920 007	D-Groove Ball Thr Bearing
897	1 617 000 980	Handle    BLACK

Spare parts list

Item	Part Number	Description
898	1 617 000 197	Wear and Tear Part Set
899	1 617 000 198	Wear and Tear Part Set
120	1 602 025 07H	Auxiliary Handle
121	1 618 040 054	Support clamp Ø51x110 MM
122	1 613 490 002	T-Head Bolt M8x40 MM
123	1 611 316 009	Clamping Band Ø51 MM
652	1 613 001 008	Depth-Gauge SW 6x330 MM
661	1 615 430 010	Grease Tube 30 ML
713	2 607 001 316	Keyless Chuck Ø1-Ø13 MM, 1/2"
791	2 605 438 376	Carrying Case
884	1 612 025 038	Auxiliary Handle

Illustration - Type - E

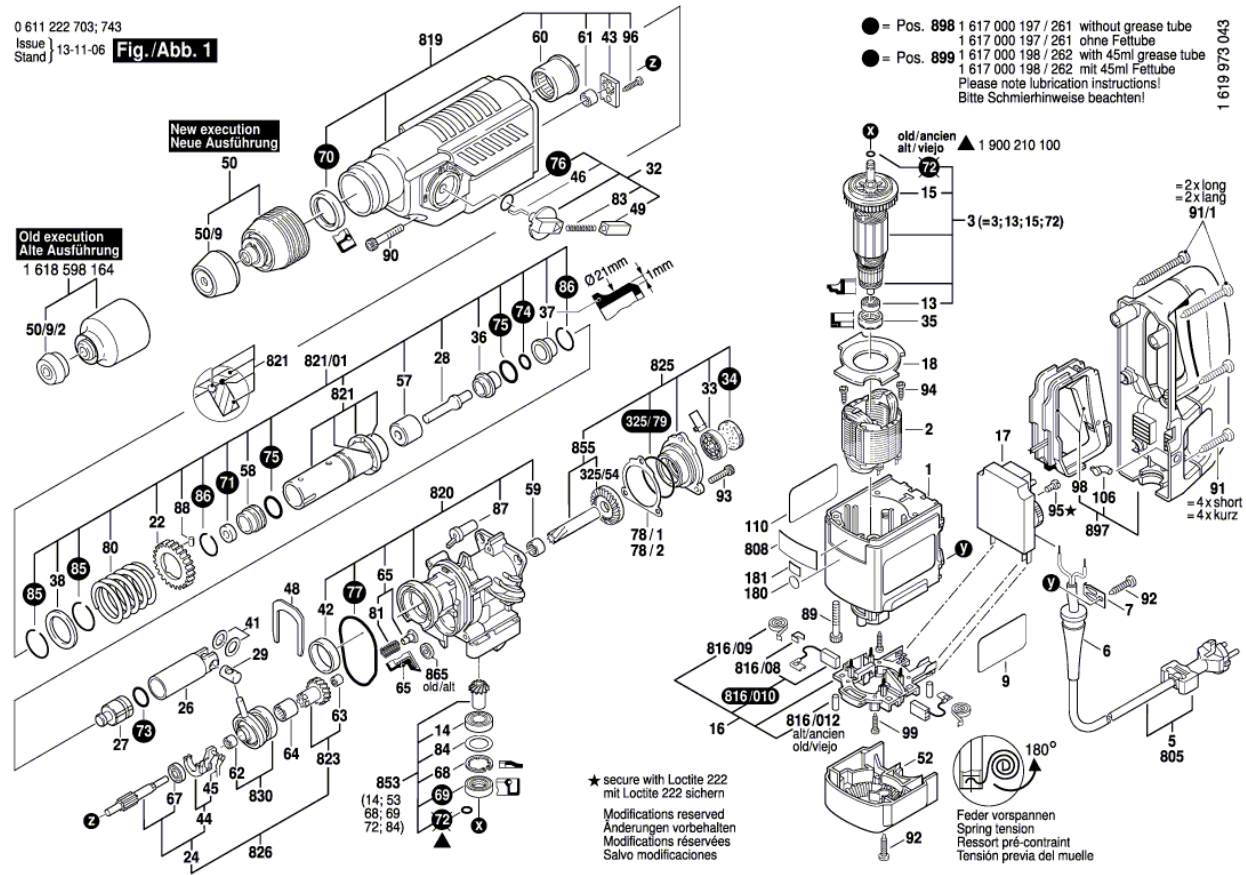
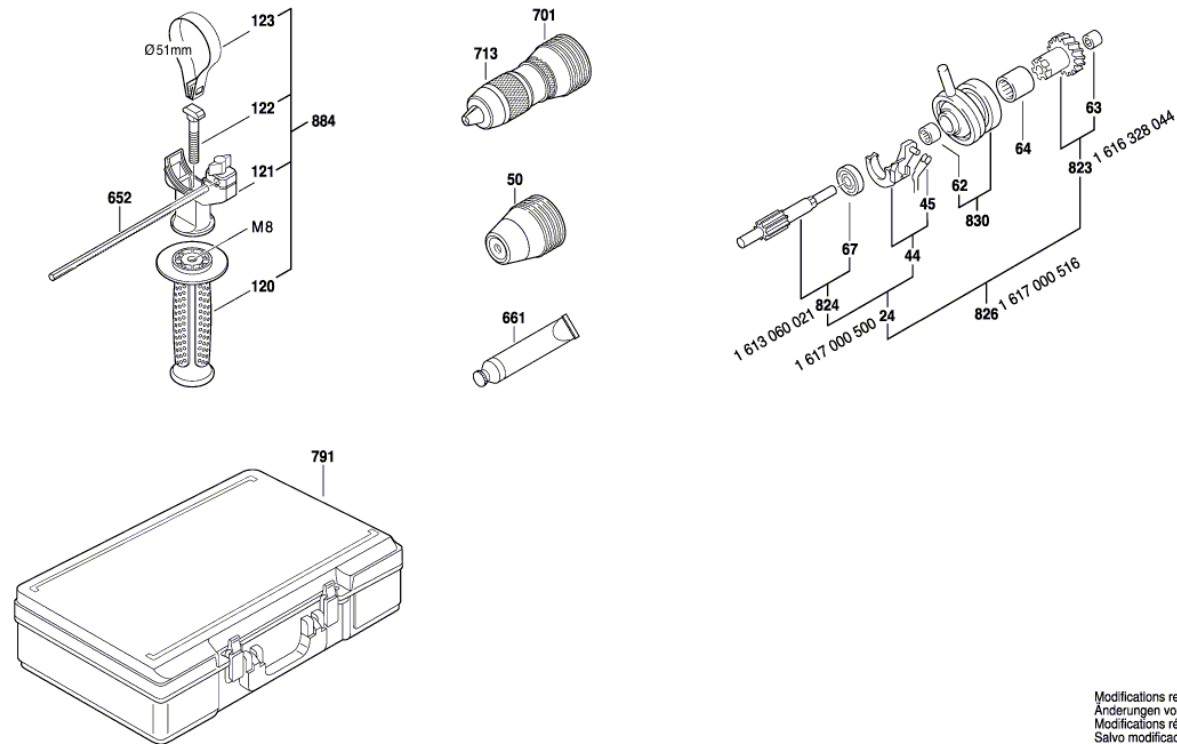


Illustration - Type - E

0 611 222 703; 743  
 Issue | 13-11-06  
 Stand | **Fig./Abb. 2**



Modifications reserved  
 Änderungen vorbehalten  
 Modifications réservées  
 Salvo modificaciones