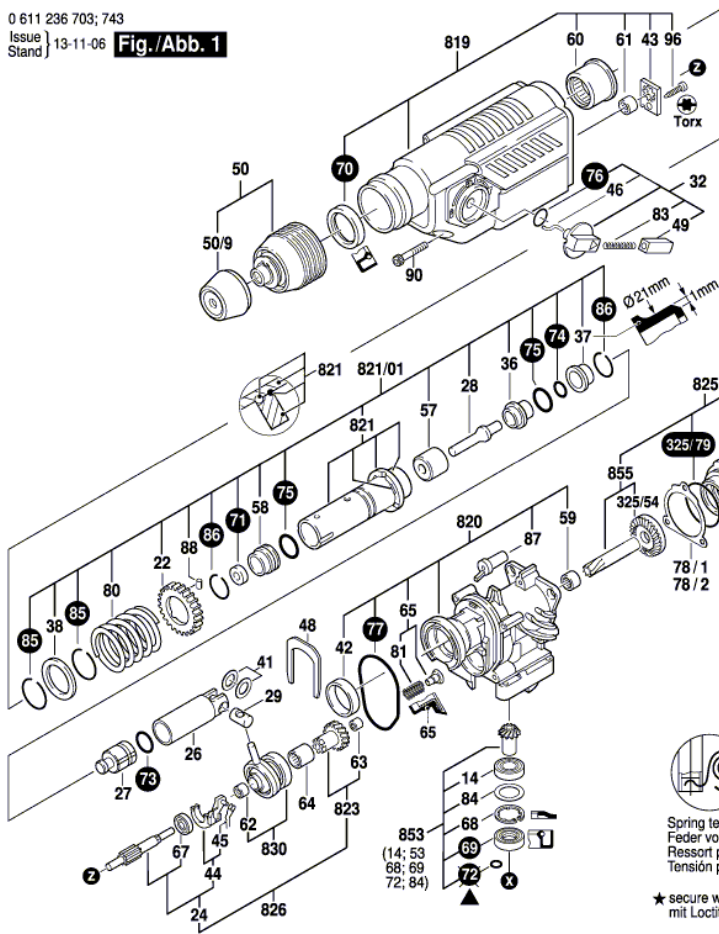




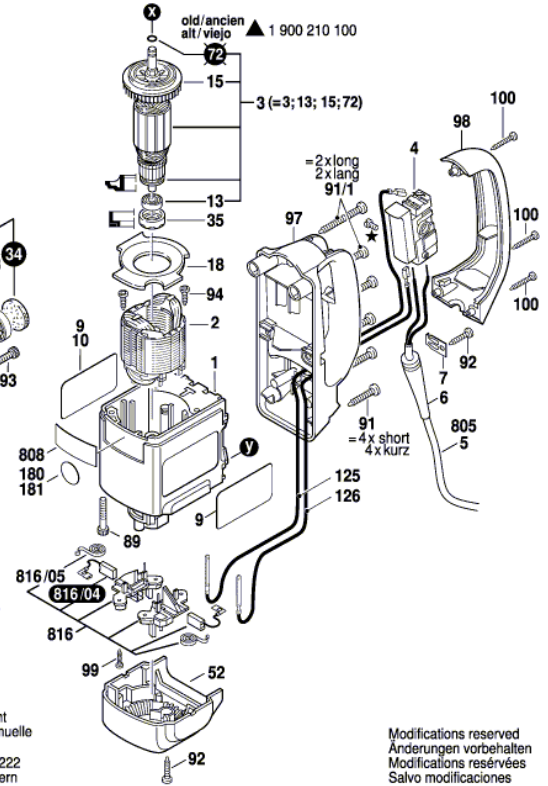
0 611 236 703; 743
Issue / Stand 13-11-06

Fig./Abb. 1



- = Pos. 898 1 617 000 197 / 261 without grease tube
1 617 000 197 / 261 ohne Fettube
 - = Pos. 899 1 617 000 198 / 262 with 45ml grease tube
1 617 000 198 / 262 mit 45ml Fettube
- Please note lubrication instructions!
Bitte Schmierhinweise beachten!

1 619 973 130



180°
Spring tension
Feder vorspannen
Ressort pré-contraint
Tensión previa del muelle

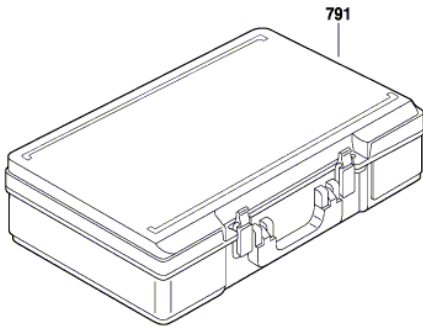
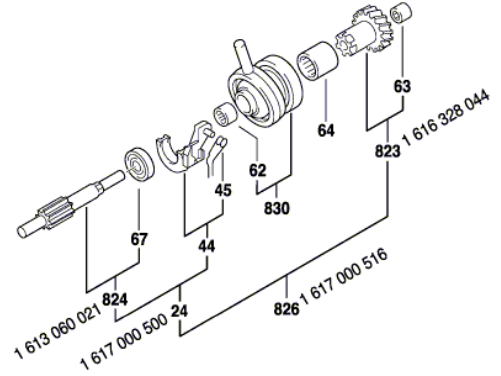
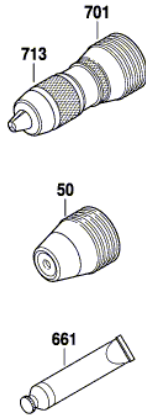
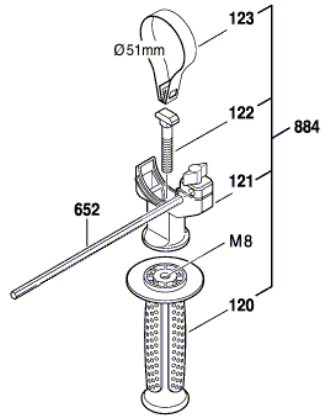
★ secure with Loctite 222
mit Loctite 222 sichern

Modifications reserved
Änderungen vorbehalten
Modifications réservées
Salvo modificaciones



0 611 236 703; 743

Issue 13-11-06 Fig./Abb. 2
Stand



Modifications reserved
Änderungen vorbehalten
Modifications réservées
Salvo modificaciones



Pos.	Part Number	Description	Pos.	Part Number	Description
1	1 615 108 059	Motor Housing	81	1 614 611 009	Compression Spring
2	1 614 220 117	Field	83	1 614 611 006	Compression Spring
3	1 614 010 128	Armature With Fan	84	1 610 101 627	Supporting Disc
4	2 607 200 576	On-Off Switch	85	1 614 601 011	Retaining ring
6	2 600 703 018	Grommet	86	1 614 601 024	Retaining ring
7	1 601 302 018	Fastening Clamp	87	1 610 390 027	Screw Bushing
9	1 611 110 974	Manufacturer's nameplate	88	1 613 200 007	Roller
13	1 610 905 025	groove ball bearing	89	2 910 141 168	Hex Socket Head Cap Screw
14	1 900 900 289	groove ball bearing	90	2 910 141 168	Hex Socket Head Cap Screw
15	1 606 610 132	Fan	91	2 910 211 036	Tapping Screw
18	1 610 591 011	Air-Deflector Ring	91/1	2 910 211 038	Tapping Screw
22	1 616 317 602	Cylindrical Gear	92	2 912 401 019	Tapping Screw
24	1 617 000 500	Toothed Shaft	93	2 910 141 162	Hex Socket Head Cap Screw
26	1 618 700 063	Hammer Piston	94	2 603 435 015	Recessed-Head Screw
27	1 618 710 060	Striker	96	2 912 401 018	Tapping Screw
28	1 613 124 043	Striker Pin	97	1 615 133 031	Handle Cover
29	1 613 105 012	Piston Pin	98	1 615 133 030	Cover
32	1 612 026 037	Clamp Handle	99	2 910 211 005	Tapping Screw
33	1 610 190 016	Perforated disk	100	2 914 211 311	Oval-Head Screw
34	1 610 005 000	Felt Disc	120	1 602 025 07H	
35	1 610 206 021	Rubber Ring	121	1 618 040 054	Support clamp
36	1 610 390 016	Guide Bushing	122	1 613 490 002	T-Head Bolt
37	1 610 390 032	Damping Bushing	123	1 611 316 009	Clamping Band
38	1 610 102 026	Supporting Disc	125	1 614 448 035	Connecting Cable
41	1 610 101 011	Shim washer	126	1 614 448 036	Connecting Cable
42	1 610 202 015	Plain bearing	325/54	1 616 333 029	Crown Gear
43	1 611 098 005	Tab Washer	325/79	2 600 210 003	O-Ring
44	1 615 820 092	Switching Element	652	1 613 001 008	Depth-Gauge
45	1 614 651 014	Switch Spring	661	1 615 430 010	Grease Tube
46	1 614 690 002	Driver Pin	701	2 607 000 186	Adapter
48	1 611 016 003	Holding Plate	713	2 607 001 316	Keyless Chuck
49	1 612 026 035	Switch Button	713	2 608 572 066	Keyless Chuck
50	1 618 598 175	Quick-Change Collet Chuck	791	2 605 438 389	Carrying Case
50/9	1 610 508 026	Protective Cap	805	1 614 460 026	Power supply cord
50/9	1 610 508 037	Protective Cap	808	1 601 11A 3H3	
52	1 615 500 298	Cover	816	1 617 000 357	Brush Holder
57	1 610 390 025	Stop Bushing	816/04	1 617 014 124	Carbon-Brush Set
58	1 610 390 026	Guide Ring	816/05	1 614 652 002	Spiral Spring
59	1 610 910 080	Needle bearing	819	1 617 000 345	Impact Mechanism Housing
60	1 610 910 073	Needle-Roller Bearing	820	1 617 000 315	Gear Housing
61	1 610 910 098		821	1 617 000 978	Ratchet Sleeve
62	1 610 200 020	Plain bearing	821/01	1 617 000 979	Ratchet Sleeve
63	1 610 910 064	Needle bearing	823	1 616 328 044	Gear Sleeve
64	1 610 913 010	Needle-Roller Assembly	825	1 615 805 064	Bearing Flange
65	1 610 591 016	Plain bearing	826	1 617 000 516	Toothed Shaft
67	1 610 905 016	groove ball bearing	830	1 615 819 022	Drive bearing
68	1 610 119 009	Retaining ring	853	1 617 000 196	Pinion
69	1 610 283 041	Rotary shaft lip seal	855	1 617 000 982	Jack Shaft
70	1 610 283 023	Shaft Seal	878	1 610 134 008	Plain Washer
71	1 610 290 029	Scraper	884	1 612 025 038	Auxiliary Handle
73	1 610 210 121	O-Ring	898	1 617 000 197	Service box
74	1 610 210 104	O-Ring	899	1 617 000 198	Service box
75	1 610 210 159	O-Ring			
76	1 610 210 046	O-Ring			
77	1 610 210 106	O-Ring			
78/1	1 610 134 005	Shim			
78/2	1 610 134 006	Shim			
80	1 614 634 006	Compression Spring			