



BOSCH

Rotary Hammer

GBH 4-32 DFR | 3 611 C32 185

Table of Content

Spare parts list.....	2
Illustration - Type.....	6

Spare parts list

Item	Part Number	Description
2	1 619 P08 340	Field 230V
4/178	1 614 412 055	Connecting Cable
4/179	1 614 412 056	Connecting Cable
4/4	1 607 200 30N	Switch
4/5	1 614 460 090	Power supply cord H07 RN-F CN 4,15m 2 x 1,0mm
4/6	1 600 703 034	Grommet Ø7,3-Ø8,6x66 MM
7	1 601 302 017	Fastening Clamp
13	2 600 905 032	Ball Bearing 7x19x6
14	1 610 905 036	groove ball bearing 10x26x8
15	1 616 610 100	Fan
27	1 610 591 043	Air-Deflector Ring BLACK
34	1 611 322 004	Fixing Plate
36	1 615 104 049	Housing Section
41	1 619 P11 442	Striker Pin
42	1 614 336 072	Brush Holder
43	1 619 P11 444	Fan Cover
43/4	1 613 490 007	Clamp Screw
44	1 614 611 025	Rocker Foot BLACK
47	1 616 328 049	Gear Sleeve
48	1 610 290 085	Clutch Sleeve
51	1 616 333 044	Crown Gear
52	1 614 601 061	Spring retaining ring
53	1 610 102 634	Supporting Disc
54	1 610 101 020	Stop Disc
55	1 612 099 001	Rocker Arm BLACK
60	1 616 317 076	Cylindrical Gear
61	1 616 333 046	Pinion
62	1 610 026 002	Damping rubber
63	1 614 611 026	Compression Spring
64	1 616 409 024	Clutch Ring
65	1 610 301 007	Plain bearing
66	1 616 455 006	Eccentric
67	1 616 232 006	Leaf Spring
68	1 610 913 021	Needle-Roller Assembly

Spare parts list

Item	Part Number	Description
70	1 612 001 041	Connecting Rod
72	1 619 P11 452	Eccentric Cog Wheel
74	1 614 336 075	Support Plate
80/193	1 612 026 126	Switch-Pawl RED
80/80	1 615 133 033	Handle BLUE
81	1 619 P10 891	Handle Cover
82	1 610 205 010	Felt Seal
96	1 614 601 060	Retaining ring
97	1 610 314 005	Sealing Sleeve
98	1 610 211 019	Spacer Sleeve
99	1 610 101 626	Supporting Disc 1,0 MM THICK
102	1 610 102 079	Shim 0,8 MM THICK
102	1 610 102 080	Shim 0,9 MM THICK
102	1 610 102 081	Shim 1,0 MM THICK
103	1 610 200 027	Plain bearing
104	1 610 210 196	O-Ring 46,0x3,5 MM
111	1 600 502 023	Intermediate Ring
113	1 613 435 038	Lens Head Screw
118	1 616 455 007	Clutch Sleeve
119	1 903 230 013	Ball DIN 5401-Ø7MM-III-ST
121	1 610 200 028	Plain bearing
126	2 603 490 023	Torx Oval-Head Screw 4x20
127	1 610 422 021	Bushing
138	1 611 015 058	Sealing Frame
141	1 600 A00 89A	Rotary shaft lip seal
142	1 610 205 012	Felt Washer
143	2 916 540 015	Retaining ring DIN 7993-28
144	1 610 241 001	Collar
145	1 614 611 023	Compression Spring
146	1 610 200 029	Backup ring
147	1 610 390 056	Guide Sleeve BLACK
154	1 614 601 062	Spring retaining ring
161	1 610 290 092	Damping Ring
163	1 600 A00 9VC	Shaft Seal
165	1 610 210 199	O-Ring 21,0x3,5 MM

Spare parts list

Item	Part Number	Description	
167	1 610 283 030	Rotary shaft lip seal	DIN 3760-
		A ,Ø32x42x7x6 MM	
171	2 916 080 911	Locking Washer	
172	1 613 490 013	Thread-forming tap. Screw	
174	1 613 490 014	Thread-forming tap. Screw	
176	2 912 738 178	Socket head cap screw	
188	1 610 209 008	Grip-Spring Tensioning E	
189	1 610 209 009	Clamping Piece	
192	1 614 611 016	Compression Spring	
194	1 610 099 008	Screw Plate	
195	1 610 099 009	Clamping Piece	
198	1 612 099 000	Switch Slide	
199	1 610 284 002	Bellows	
200	1 610 284 001	Bellows	
325	1 619 P10 517	Tool Holding Fixture	
325/203	1 610 508 047	Protective Cap	
656/217	2 603 421 229	Countersunk-Head Screw	M6x23
		LEFTHAND THREADS	
801	1 615 108 150	Motor Housing	BLACK
803	1 614 010 252	Armature With Fan	230V
810	1 614 321 079	Carbon-Brush Set	
818	2 603 410 001	Socket head cap screw	M3x6,5-4.8
824	1 613 123 013	Eccentric Shaft	
835	1 615 806 229	Hammer Pipe	
840	1 615 190 168	Impact Mechanism Housing	
849	1 611 329 030	Control Fork	BLACK
856	1 618 700 093	Hammer Piston	
857	1 618 710 094	Striker	
861	1 616 333 048	Pinion	
873	1 615 500 411	Housing Cover	
891	1 615 806 230	Hammer Pipe	
897	1 610 314 006	Sealing Sleeve	
899	1 617 000 897	Wear and Tear Part Set	
84	1 602 025 07H	Auxiliary Handle	
85	1 618 040 087	Support clamp	
86	1 613 490 002	T-Head Bolt	M8x40 MM

Spare parts list

Item	Part Number	Description
87	1 611 316 019	Clamping Band Ø62 MM
661	1 615 430 010	Grease Tube 30 ML
688	1 613 001 008	Depth-Gauge SW 6x330 MM
884	1 612 025 079	Auxiliary Handle
895	1 615 438 426	Lock for 1 615 438 395

Illustration - Type - E

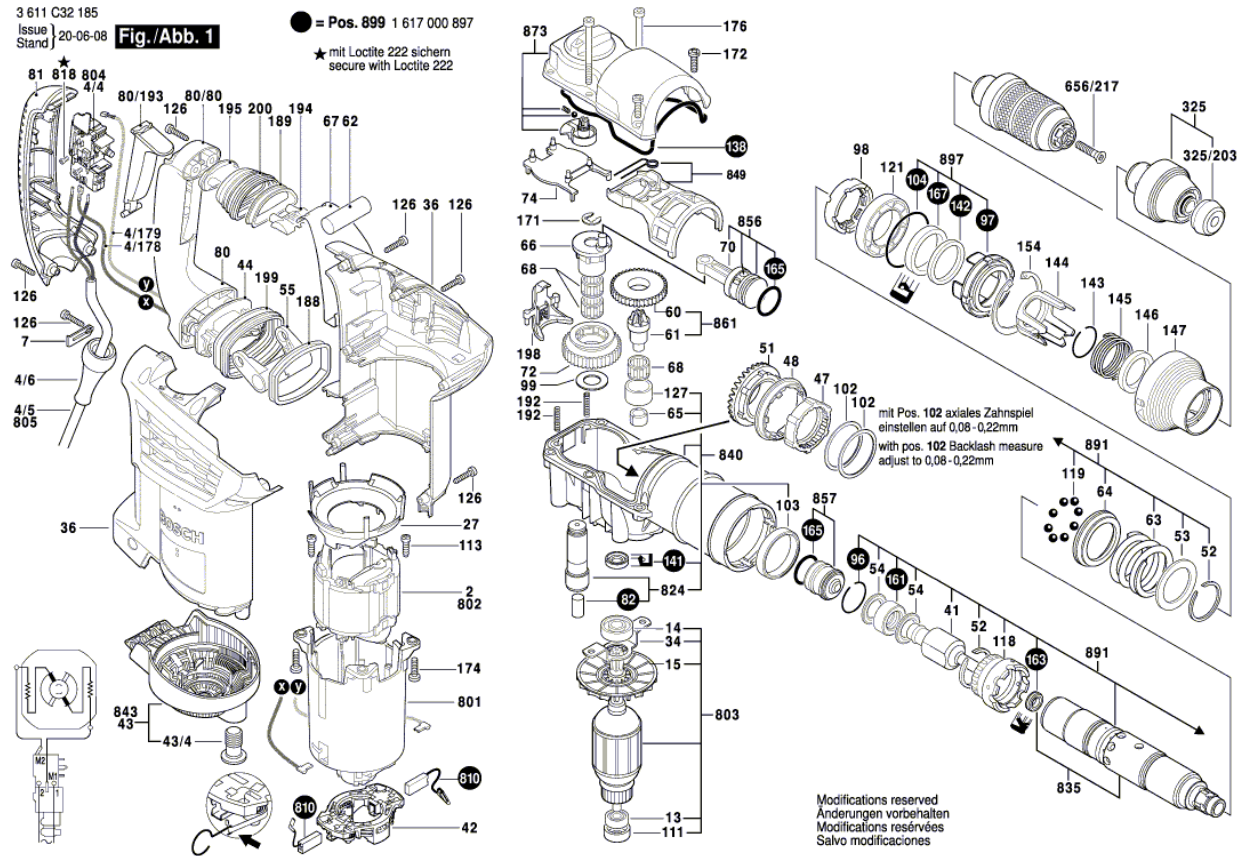
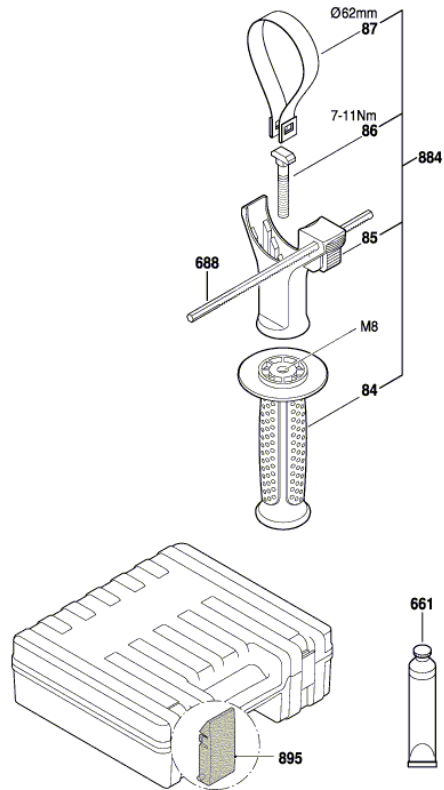


Illustration - Type - E

3 611 C32 185
Issue
Stand 14-05-21 **Fig./Abb. 2**



Änderungen vorbehalten
Modifications reserved
Modifications réservées
Salvo modificaciones