



BOSCH

Cordless Hammer Drill

GBH 36V-LI Plus | 3 611 J06 080

Table of Content

Spare parts list.....	2
Illustration - Type.....	5

Spare parts list

Item	Part Number	Description	
1	1 605 108 2GT	Housing Section	
2	1 607 022 662	DC motor	
4	1 600 A00 A4B	Electronics Module	
4/4/200	1 609 280 A56	Contact retainer	
6	1 617 000 A5F	Drive pinion	
6/14	1 610 905 044	groove ball bearing	
6/47	1 610 283 047	Rotary shaft lip seal	
6/48	1 610 290 102	Bearing Ring	
6/48/1	1 610 210 208	O-Ring	24,0x2,0 MM
6/49	1 615 700 044	End Shield	
6/6	1 616 610 157	Fan	
6/7	1 600 A01 143	Drive pinion	
9	1 601 11C 1CP	Manufacturer's nameplate	
10	1 601 11C 1CN	Manufacturer's nameplate	
11	1 611 11C 02G	Reference Plate	
17	1 600 A00 1HK	Bearing Ring	
18	1 600 A00 1FP	Motor Bearing	
25/53	1 610 210 245	O-Ring	
26	1 617 000 6A5	Hammer Piston	
26/27	1 610 311 019	Striker	
26/29	1 600 A01 TD0	Piston Pin	
26/56	1 610 210 121	O-Ring	17,0x3,0 MM GREEN
26/71	1 610 100 016	Guide Disc	
32	1 612 026 151	Clamp Handle	BLACK
32/32/2	1 614 690 009	Driver Pin	
32/32/3	1 612 026 035	Switch Button	RED
32/32/4	1 610 210 046	O-Ring	10,5x2,7 MM
32/32/5	1 614 611 006	Compression Spring	
40/63/63	1 600 A00 1CN	Needle bearing	
40/63/64	1 610 390 069	Bushing	
40/68	1 610 283 036	Rotary shaft lip seal	
45	1 610 591 055	Air-Deflector Ring	
55	1 610 210 206	Seal Ring	63,0x5,0 MM
66	1 610 202 021	Plain bearing	
74	1 603 430 00V	Torx Oval-Head Screw	

Spare parts list

Item	Part Number	Description	
75	2 603 490 023	Torx Oval-Head Screw	4x20
76	2 603 490 027	Torx Oval-Head Screw	4x40
78/1	1 600 A00 3TA	Shim	0,3 MM
78/1	1 600 A00 4FU	Shim	0,15 MM
78/1	1 600 A00 4FV	Shim	0,45 MM
79	1 613 435 023	Thread-forming tap. Screw	
84	1 600 A00 1E5	Switch Slide	
88	1 600 A00 1CM	Push-Button	
89	1 604 612 007	Compression Spring	
90	1 600 A00 1E3	Lens	
91	1 601 200 006	Leaf Spring	
92	1 600 A00 1ED	Control Element	
93	1 600 A00 22Y	Guide Piece	
113	1 616 325 002	Switching Panel	
130	1 616 333 049	Gear Sleeve	
135	1 614 601 067	Retaining ring	
136	1 610 205 017	Felt Disc	
137	2 916 660 012	Spring retaining ring	30x1,2MM, DIN 472
200	1 600 A00 1CL	Bellows	
203	1 610 508 047	Protective Cap	
206	1 613 230 003	Ball	Ø7,3 MM
207	1 614 601 027	Retaining ring	
208	1 610 101 629	Retaining Washer	
209	1 610 102 638	Friction Washer	
211	2 916 540 012	Retaining ring	DIN 7993-A22
321	1 617 000 6CA	Toolholder	
321/22	1 616 312 004	Cylindrical Gear	
321/28	1 613 124 098	Striker Pin	
321/33	1 610 590 020	Holding Jacket	
321/34	1 610 190 067	Supporting Disc	
321/37	1 613 100 019	Straight Pin	DIN6325-2,5x12-RIKO
321/38	1 600 A00 8AG	Catch Disk	
321/42	1 610 102 084	Thrust Ring	
321/46	1 610 390 068	Guide Bushing	
321/50	1 614 615 008	Compression Spring	

Spare parts list

Item	Part Number	Description	
321/58	1 610 210 105	O-Ring	18,0x3,5 MM
321/59	1 600 A00 9VC	Shaft Seal	
321/60	1 610 210 209	O-Ring	9,5x3,5 MM
321/72	1 604 601 027	Retaining ring	
321/86	1 614 601 034	Retaining ring	
321/87	1 604 601 028	Retaining ring	A22 DIN 7993
808	1 601 11A 3H9	Nameplate	
820	1 617 000 A5J	Intermediate Flange	
821	1 617 000 6C9	Tool Holding Fixture	
824	1 617 000 A5K	Jack Shaft	
825	1 617 000 6CB	Tool Holding Fixture	
828	1 617 000 697	Striker Pin	
830	1 617 000 698	Gear Sleeve	
840	1 617 000 699	Impact Mechanism Housing	BLACK
120	1 602 025 08Y	Auxiliary Handle	
120/120	1 602 025 07H	Auxiliary Handle	
120/124	1 611 316 021	Clamping Band	Ø50 MM
120/125	1 613 490 001	T-Head Bolt	M8x80 MM
120/802	1 617 000 685	Support clamp	
651	1 613 001 009	Depth-Gauge	SW 6x210 MM
653	1 607 A35 0R2	Battery Pack	GBA 36V 4,0Ah H-C
654	2 607 225 915	Fast Charger	CN GAL 3680 CV 220/14,4-36V
661	1 615 430 010	Grease Tube	30 ML
801	1 605 108 2FG	Housing Section	
802	1 617 000 A5H	DC motor	
804	1 600 A01 1GZ	Electronics Module	

Illustration - Type - E

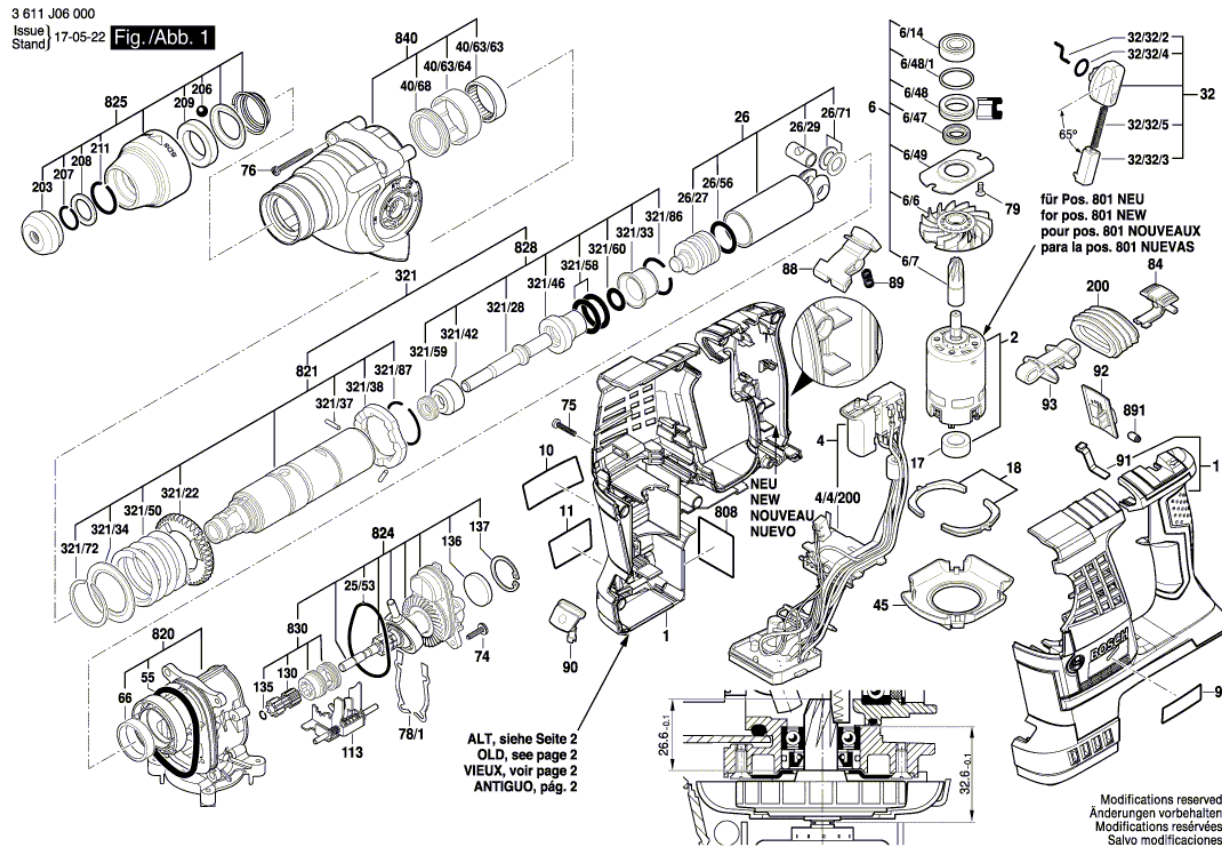


Illustration - Type - E

