



**BOSCH**

# Rotary Hammer

GBH 36 V-LI | 3 611 J00 R80

---

## Table of Content

Spare parts list.....	2
Illustration - Type.....	5

Spare parts list

Item	Part Number	Description
2	2 610 942 109	Pole housing 14;4-24V
9	1 611 110 Z55	Manufacturer's nameplate
10	1 611 110 Z56	Manufacturer's nameplate
13	2 600 905 052	groove ball bearing 8x22x7
17	1 614 652 006	Spiral Spring
18	2 603 100 056	Damping rubber
24	1 617 000 6EJ	Toothed Shaft
26	1 600 A01 U34	Hammer Piston
26/27	1 610 311 018	Striker
26/29	1 613 105 012	Piston Pin
26/56	1 610 210 187	O-Ring
26/71	1 610 101 011	Shim washer 1,2 MM THICK
30	1 600 A01 U33	Drive bearing
30/35	1 610 202 024	Plain bearing
31	1 610 913 016	Needle-Roller Assembly
32	1 612 026 037	Clamp Handle BLACK
32/46	1 614 690 002	Driver Pin
32/49	1 612 026 035	Switch Button RED
32/76	1 610 210 046	O-Ring 10,5x2,7 MM
32/83	1 614 611 006	Compression Spring
36	1 611 016 003	Holding Plate
44	1 610 508 047	Protective Cap
45	1 601 010 058	Insulating Plate
47	1 613 100 030	Needle Roller
55	1 610 290 226	Seal Ring 53,0x7,0 MM
57	1 610 210 068	O-Ring 24,0x2,5 MM
64/1	1 610 190 060	Supporting Disc
66	1 610 202 021	Plain bearing
70	1 903 230 013	Ball DIN 5401-Ø7MM-III-ST
74	1 614 601 027	Retaining ring
75	1 610 101 629	Retaining Washer
76	1 603 430 00A	Thread-forming tap. Screw
77	1 610 290 043	Locating Ring
79	1 613 435 023	Thread-forming tap. Screw
80	1 610 290 084	Locating Ring

# Rotary Hammer | GBH 36 V-LI | 3 611 J00 R80

## Spare parts list

Item	Part Number	Description
84	1 613 231 017	Switch Slide
87	2 916 540 012	Retaining ring    DIN 7993-A22
106	1 614 611 022	Plain bearing
106/105	1 614 611 021	Compression Spring
189	1 614 610 015	Compression Spring
190	2 603 490 017	Torx Oval-Head Screw    3x10
191	2 603 490 023	Torx Oval-Head Screw    4x20
321/22	1 616 312 004	Cylindrical Gear
321/28	1 613 124 081	Striker Pin
321/33	1 610 590 014	Holding Jacket
321/34	1 610 190 067	Supporting Disc
321/37	1 613 100 019	Straight Pin    DIN6325-2,5x12-RIKO
321/38	1 600 A00 8AG	Catch Disk
321/42	1 610 102 073	Thrust Ring
321/46	1 610 390 051	Guide Bushing
321/50	1 614 611 020	Compression Spring
321/58	1 610 210 178	O-Ring
321/59	1 610 283 035	Rotary shaft lip seal
321/60	1 610 210 176	O-Ring    9,0x3,5 MM
321/62	1 610 210 179	O-Ring
321/72	1 604 601 027	Retaining ring
321/82	1 614 601 034	Retaining ring
321/83	1 604 601 028	Retaining ring    A22 DIN 7993
801	1 617 000 A4W	Motor Housing
803	1 617 000 473	Armature With Fan
804	1 617 000 890	Electronics Module
805	1 609 280 425	Contact retainer
806	1 617 000 889	On-Off Switch
806/1	1 600 A00 175	On-Off Switch
808	1 601 11A 3H9	Nameplate
811	1 611 110 Y46	Reference Plate
816	1 617 014 142	Carbon-Brush Set
820	1 617 000 883	Intermediate Flange
821	1 617 000 564	Pipe
823	1 617 000 884	Toothed Shaft

Spare parts list

Item	Part Number	Description
825	1 617 000 598	Tool Holding Fixture
840	1 617 000 V55	Gear Housing BLACK
840/48	1 611 098 008	Tab Washer
840/63	1 610 910 063	Needle bearing Ø30xØ37x12 MM
840/68	1 610 283 036	Rotary shaft lip seal
840/78	2 603 490 022	Screw 4x16
843	1 617 000 582	Protection Sleeve
861	1 615 820 097	Switching Element
864	1 617 000 A07	Supporting Disc
650	1 602 025 08X	Auxiliary Handle
650/120	1 602 025 07H	Auxiliary Handle
650/124	1 611 316 021	Clamping Band Ø50 MM
650/125	1 613 490 002	T-Head Bolt M8x40 MM
650/802	1 617 000 475	Support clamp
651	1 613 001 009	Depth-Gauge SW 6x210 MM
653	1 607 A35 0R2	Battery Pack GBA 36V 4,0Ah H-C
653	2 607 336 003	Battery Pack 36V, 2,0Ah, LI
654	2 607 225 409	Fast Charger CN 220/36V
870	1 613 523 011	Drill Chuck Shank 1/2", SDS-Plus
870/2	2 603 421 207	Countersunk-Head Screw M6x27-KØ11 LEFTHAND THREADS
871	1 608 571 088	Chuck
872	2 607 950 007	Chuck Wrench SG2

Illustration - Type - E

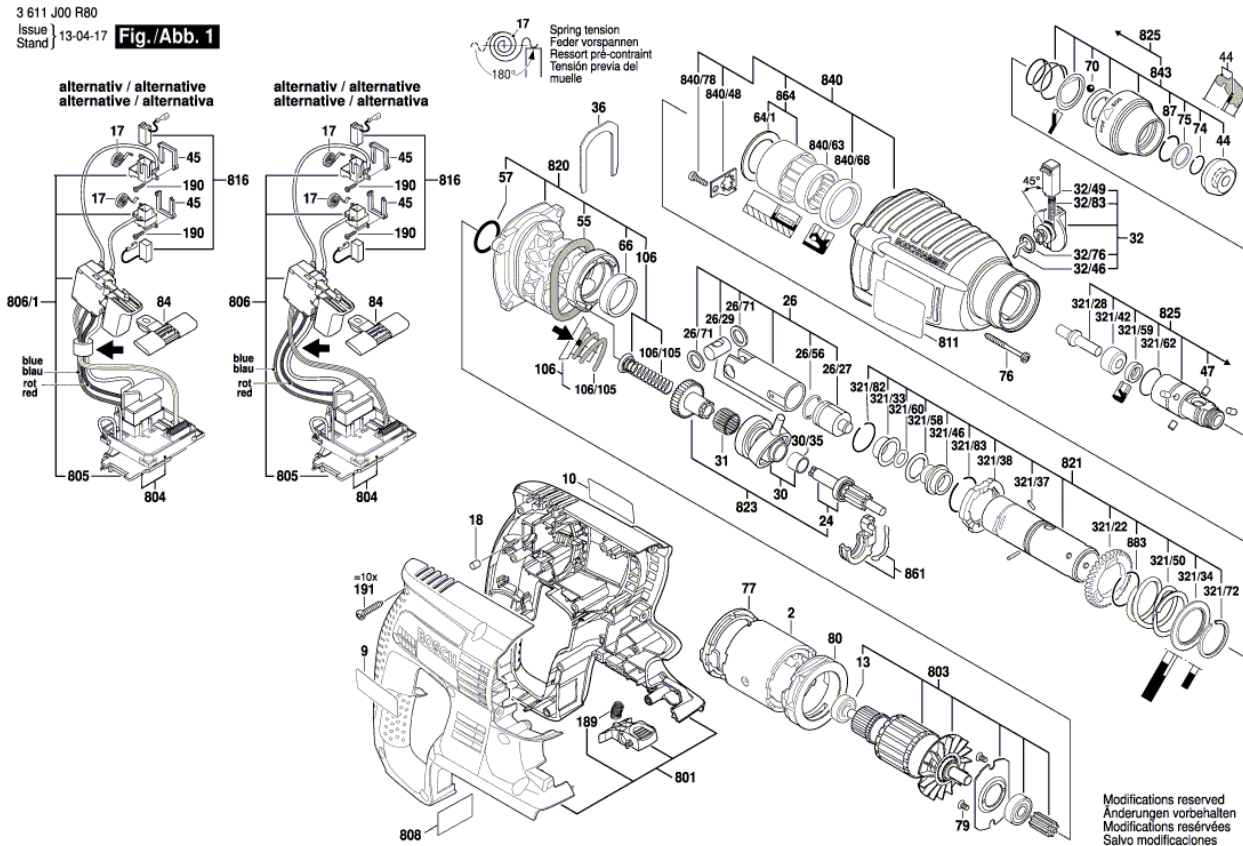
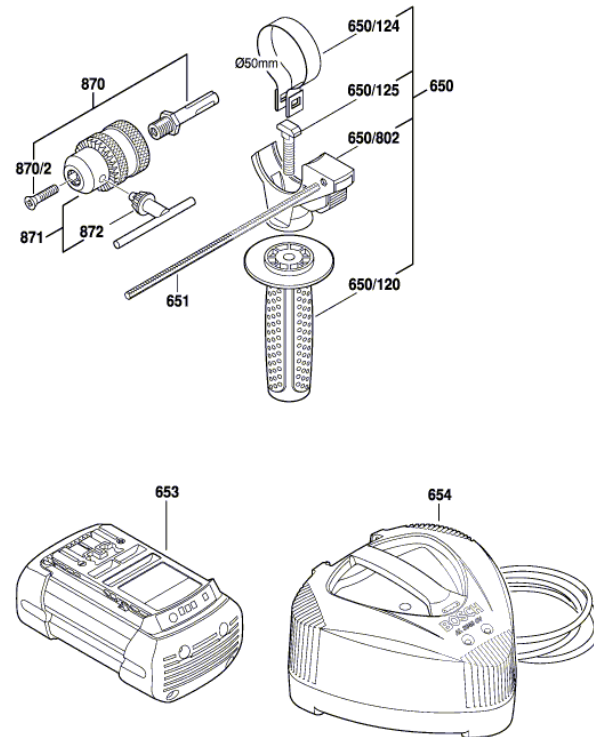


Illustration - Type - E

3 611 J00 R80  
Issue |  
Stand | 13-04-17 **Fig./Abb. 2**



Modifications reserved  
Änderungen vorbehalten  
Modifications réservées  
Salvo modificaciones