



BOSCH

Rotary Hammer

GBH 3-28 E | 0 611 239 743

Table of Content

Spare parts list.....	2
Illustration - Type.....	6

Spare parts list

Item	Part Number	Description
2	1 614 220 118	Field 220-230V
5	1 614 460 088	Power supply cord CN 4,15m 2 x 1,0mm H07 RN-F
6	2 600 703 018	Grommet Ø7,3-Ø8,6x76 MM
7	1 611 035 005	Cable Clip
9	1 611 110 C02	Manufacturer's nameplate
13	2 600 905 032	Ball Bearing 7x19x6
14	1 610 905 036	groove ball bearing 10x26x8
15	1 616 610 088	Fan
17	1 615 132 085	Flap Grip
21	1 615 806 047	Pipe
22	1 616 333 038	Crown Gear Z=31
23	1 616 333 039	Pinion Z=6
24	1 616 312 005	Cylindrical Gear
25	1 616 317 061	Eccentric Cog Wheel Z=31
27	1 610 311 016	Striker
33	1 615 808 082	Gear Cover
34	2 916 080 910	Locking Washer DIN 6799-7-FSt
35	1 600 502 023	Intermediate Ring
37	1 613 123 004	Eccentric Shaft
38	1 610 202 018	Supporting Disc
40	1 903 230 013	Ball DIN 5401-Ø7MM-III-ST
43	1 610 390 048	Screw Bushing
44	1 611 329 019	Control Fork
45	1 614 611 016	Compression Spring
47	1 610 250 010	Inner Ring
48	1 611 329 020	Fixing Plate
50	1 610 290 059	Friction Washer
53	1 610 422 018	Thrust Ring
54	1 610 508 039	Protective Cap L=13 MM
55	1 610 190 040	Holding Plate
56	1 610 499 042	Protection Sleeve
58	1 614 615 004	Compression Spring
59	1 610 314 003	Sealing Sleeve
60	1 615 190 087	Plain bearing

Spare parts list

Item	Part Number	Description		
61	1 610 210 156	O-Ring	39,0x3,0 MM	
66	1 610 100 612	Support Disc	0,5 MM	THICK
67	1 614 601 032	Retaining ring		
68	1 610 205 008	Felt Washer		
69	1 610 283 031	Rotary shaft lip seal		
70	1 610 283 032	Rotary shaft lip seal		
72	1 610 210 157	O-Ring	52,0x3,0 MM	
73	1 610 210 121	O-Ring	17,0x3,0 MM	GREEN
74	1 611 014 002	Sealing Frame		
75	1 610 210 155	O-Ring	19,0x2,5 MM	
78	1 610 102 051	Shim	0,3 MM	
78	1 610 102 052	Shim	0,4 MM	
78	1 610 102 053	Shim	0,5 MM	
79	1 928 491 082	Oval-Head Screw		
80	1 614 615 003	Compression Spring		
81	1 614 601 033	Retaining ring		
83	1 614 601 036	Spring retaining ring		
85	1 610 913 015	Needle-Roller Assembly		
86	2 603 490 023	Torx Oval-Head Screw	4x20	
87	1 610 209 006	Backup ring		
88	1 613 414 016	Hex Socket Head Cap Screw		
89	1 613 414 017	Hex Socket Head Cap Screw		
90	2 910 131 154	Hex Socket Head Cap Screw	DIN 7984-M5x12-8.8	
91	2 912 401 008	Tapping Screw	DIN 7983-ST-2,9x19	
92	2 910 211 005	Tapping Screw	DIN 7971-ST2,9x9,5-F	
97	1 610 102 025	Friction Washer		
101	1 614 449 012	Connecting Cable	L=360 MM	WHITE
102	1 614 431 028	Connecting Cable	L=220 MM	WHITE
103	1 614 437 017	Connecting Cable	L=180 MM	BLUE
104	1 614 437 018	Connecting Cable		
105	1 614 449 013	Connecting Cable		
108	1 611 091 003	connecting terminal	2-POLE	
108	1 611 091 006	connecting terminal	2-POLE	
110	1 611 110 C03	Reference Plate		

Spare parts list

Item	Part Number	Description
180	1 611 110 855	Sticker
801	1 615 108 103	Insulating Housing
803	1 614 010 705	Armature With Fan 220-230V
804	2 607 200 576	Switch
808	1 601 11A 3H5	Nameplate
810	1 617 014 137	Carbon-Brush Set
815	1 614 652 003	Spiral Spring
816	1 617 000 392	Brush Holder
818	2 603 410 001	Socket head cap screw M3x6,5-4.8
819	1 617 000 382	Gear Housing
820	1 615 104 016	Housing Section BLUE
821	1 618 598 221	Toolholder SDS-PLUS
822	1 618 598 248	Toolholder
823	1 617 016 009	Pinion
826	1 618 700 085	Hammer Piston
830	1 612 210 118	Eccentric
832	1 612 026 090	Clamp Handle
849	1 618 598 220	Tool Holding Fixture SDS-PLUS
850	1 618 598 249	Tool Holding Fixture
852	1 615 500 310	Brush-Cover
859	1 610 314 004	Sealing Sleeve
894	2 603 435 015	Cross Recessed-Head Screw DIN 7981-ST3,5x9,5-F
897	1 617 000 383	Wear and Tear Part Set
899	1 617 000 V76	Wear and Tear Part Set
120	1 602 025 07H	Auxiliary Handle
121	1 618 040 073	Support clamp
122	1 613 450 017	Hex Screw M 8x40 MM
123	1 611 316 018	Clamping Band Ø 63 MM
124	2 915 051 180	Hex Nut ISO-4035-M8-05
661	1 615 430 010	Grease Tube 30 ML
700	1 617 000 132	Drill Chuck Shank SDS-PLUS
701	1 608 571 088	Chuck
707	2 607 950 007	Chuck Wrench SG2
720	2 602 025 112	Auxiliary Handle Ø 63 MM

Spare parts list

Item	Part Number	Description
725	1 613 001 009	Depth-Gauge SW 6x210 MM
802	2 603 421 226	Countersunk-Head Screw M6x27 LEFTHAND THREADS
895	1 615 430 019	Oil Reservoir 1000 ML
898	1 615 437 509	Oil Reservoir 50 ML

Illustration - Type - E

0 611 239 703; 743
Issue |
Stand | 10-10-12

Fig./Abb. 1

Änderungen vorbehalten
Modifications reserved
Modificaciones reservées
Salvo modificaciones

Zahnspiel zwischen Pos. 22 und Pos. 823 = 0,08 - 0,22 mm / Ausgleich mit Pos. 78
Gear play between pos. 22 and pos. 823 = 0,08 - 0,22 mm / adjust with pos. 78

● = Pos. 897 = 1 617 000 383
Bitte Schmierhinweise beachten!
Please note lubrication instructions!

mit Loctite 222 sichern
secure with Loctite 222

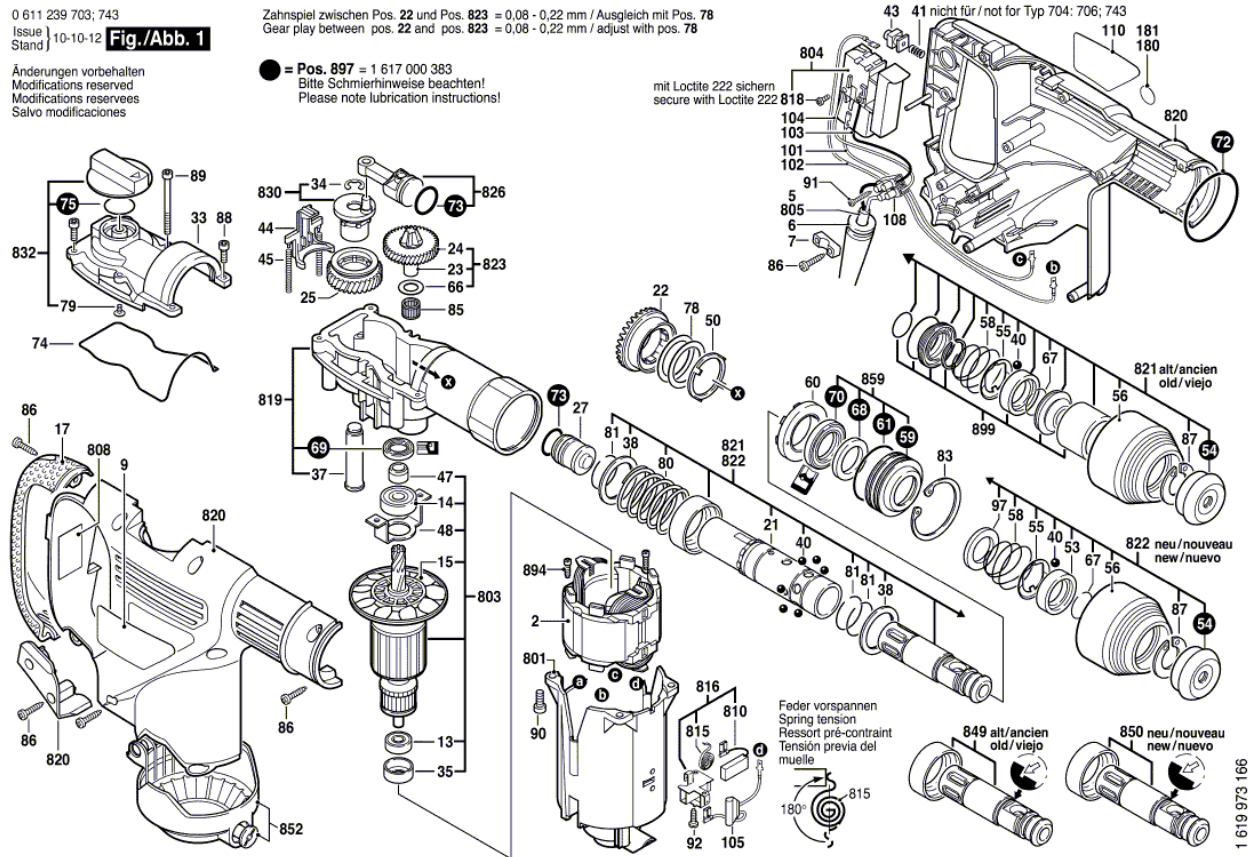


Illustration - Type - E

0 611 239 703; 743
Issue |
Stand | 06-08-28 **Fig./Abb. 2**

