

Universal Rotary Hammer - 0 611 226 639 - GBH 2 SE

www.powertools-aftersaleservice.com



BOSCH

Item	Part Number	Description	Illustration	Price	Quantity	Price Group
	2 1 614 220 105	Field 100-120V		1	-,-	1 31
3/60	1 616 610 072	Fan BLACK		1	-,-	1 12
	4 1 617 200 052	Switch		1	-,-	1 35
	5 2 604 460 187	Power supply cord USA/CDN 2,68m 2 x 082mm SJ 18/2		1	-,-	1 26
	6 2 600 703 017	Grommet Ø6,4-Ø7,2x76 MM		1	-,-	1 13
	6 2 600 703 018	Grommet Ø7,3-Ø8,6x76 MM		1	-,-	1 13
	6 2 600 703 019	Grommet Ø8,7-Ø9,6x76 MM		1	-,-	1 13
	7 2 601 035 001	Cable Clip		1	-,-	1 11
	9 1 611 110 X25	Manufacturer's nameplate		1	-,-	1 15
	10 1 611 110 458	Manufacturer's nameplate		1	-,-	1 -
	13 1 610 905 025	Deep-Groove Ball Bearing 7x19x6		1	-,-	1 19
	14 1 610 905 048	Deep-Groove Ball Bearing 9x24x7		1	-,-	1 21
	16 2 604 337 016	Brush Holder		1	-,-	2 11
	18 1 610 522 009	Air-Deflector Ring		1	-,-	1 11
	22 1 616 317 602	Cylindrical Gear Z=50		1	-,-	1 24
	24 1 617 000 518	Toothed Shaft Z=3/9		1	-,-	1 36
	26 1 618 700 062	Hammer Piston		1	-,-	1 26
	27 1 618 710 057	Striker		1	-,-	1 27
	28 1 613 124 040	Striker Pin		1	-,-	1 17
	29 1 613 105 012	Piston Pin		1	-,-	1 15
	31 1 615 510 003	Protective Grille		1	-,-	1 13
	34 1 610 508 008	Protective Cap L=17 MM, SDS-PLUS		1	-,-	1 12
	35 1 610 206 021	Rubber Ring		1	-,-	1 11
	37 1 610 390 017	Damping Bushing		1	-,-	1 17
	38 1 610 102 026	Supporting Disc		1	-,-	1 13
	41 1 610 101 011	Shim washer 1,2 MM THICK		1	-,-	2 11
	42 1 610 202 015	Plain bearing		1	-,-	1 14
	43 1 611 098 005	Tab Washer		1	-,-	1 14
	44 1 615 820 092	Switching Element		1	-,-	1 13
	45 1 614 651 014	Switch Spring		1	-,-	1 11
	46 1 614 690 002	Driver Pin		1	-,-	1 11
	48 1 611 016 003	Holding Plate		1	-,-	1 12
	49 1 612 026 035	Switch Button RED		1	-,-	1 11

Item	Part Number	Description	Illustration	Price	Quantity	Price Group
60	1 610 910 073	Needle-Roller Bearing	1	-,-	1	23
61	1 610 910 098	Needle bearing	1	-,-	1	15
62	1 610 910 074	Needle bearing	1	-,-	1	15
63	1 610 910 064	Needle bearing	1	-,-	1	14
64	1 610 913 010	Needle-Roller Assembly	1	-,-	1	16
65	1 610 591 016	Plain bearing	1	-,-	1	13
67	1 610 905 016	Deep-Groove Ball Bearing	1	-,-	1	22
70	1 610 283 019	Shaft Seal	1	-,-	1	20
71	1 610 290 029	Scraper	1	-,-	1	13
72	1 610 210 068	O-Ring 24,0x2,5 MM	1	-,-	1	11
73	1 610 210 187	O-Ring	1	-,-	1	12
74	1 610 210 104	O-Ring 11,0x3,5 MM	1	-,-	1	13
75	1 610 210 105	O-Ring 18,0x3,5 MM	1	-,-	1	13
76	1 610 210 046	O-Ring 10,5x2,7 MM	1	-,-	1	11
77	1 610 210 106	O-Ring 60,0x3,0 MM	1	-,-	1	13
80	1 614 634 005	Compression Spring	1	-,-	1	11
81	1 614 611 009	Compression Spring	1	-,-	1	11
83	1 614 611 006	Compression Spring	1	-,-	1	15
85	1 614 601 011	Retaining ring	1	-,-	2	11
86	1 614 601 024	Retaining ring	1	-,-	1	11
87	2 916 540 012	Retaining ring DIN 7993-A22	1	-,-	1	13
88	1 613 200 007	Roller	1	-,-	3	11
89	1 903 230 013	Ball DIN 5401-Ø7MM-III-ST	1	-,-	1	10
90	1 603 435 036	Tapping Screw 4,8x78 MM, TORX T-20	1	-,-	4	11
91	2 603 490 026	Lens Head Screw 4x32	1	-,-	1	10
92	2 912 401 018	Tapping Screw DIN7981-ST3,9x13-C-Z	1	-,-	4	10
93	2 910 211 005	Tapping Screw DIN 7971-ST2,9x9,5-F	1	-,-	4	10
94	2 603 435 015	Recessed-Head Screw DIN 7981-ST3,5x9,5-F	1	-,-	2	11
95	2 603 410 001	Socket head cap screw M3x6,5-4.8	1	-,-	2	11
96	2 912 401 018	Tapping Screw DIN7981-ST3,9x13-C-Z	1	-,-	1	10
101	1 614 448 017	Connecting Cable L=55 MM WHITE	1	-,-	2	12
102	2 604 448 005	Cable L=130 MM WHITE	1	-,-	2	11
700	1 617 000 154	Drill Chuck Shank 1/2"SDS-PLUS	2	-,-	1	31
700/20	2 603 421 226	Countersunk-Head Screw M6x27 LEFTHAND THREADS	2	-,-	1	11
701	1 608 571 088	Chuck	2	-,-	1	32
701/700	2 607 950 007	Chuck Wrench SG2	2	-,-	1	18
711	1 617 000 133	Parts Set	2	-,-	1	-
711/10/2	2 604 601 004	Retaining ring	2	-,-	1	11
750	2 605 438 294	Carrying Case	2	-,-	1	-
755	1 618 580 000	Angle Drill Head SDS-PLUS	2	-,-	1	-
801	1 617 000 477	Motor Housing	1	-,-	1	28
803	1 614 010 229	Armature With Fan 110-120V	1	-,-	1	43
811	1 607 014 117	Carbon Brush	1	-,-	1	22
819	1 617 000 385	Gear Housing	1	-,-	1	35
820	1 617 000 981	Intermediate Flange	1	-,-	1	32
821	1 616 490 061	Ratchet Sleeve SDS-PLUS	1	-,-	1	40
821/01	1 616 490 060	Ratchet Sleeve SDS-PLUS	1	-,-	1	43
822	2 602 025 118	Auxiliary Handle Ø43 MM	2	-,-	1	26
822/120	1 612 025 019	Auxiliary Handle M8	2	-,-	1	19
822/124	1 611 316 006	Clamping Band Ø43 MM	2	-,-	1	13
822/125	1 613 490 002	T-Head Bolt M8x40 MM	2	-,-	1	13
822/802	2 608 040 176	index turning toolholder Ø43 MM	2	-,-	1	19
823	1 616 328 042	Gear Sleeve Z=26/6	1	-,-	1	36

Item	Part Number	Description	Illustration	Price	Quantity	Price Group
826	1 617 000 517	Toothed Shaft Z=3/9	1	-,-	1	43
830	1 615 819 018	Drive bearing	1	-,-	1	41
832	1 612 026 037	Clamp Handle BLACK	1	-,-	1	24
833	1 617 000 163	Protection Sleeve SDS-PLUS	1	-,-	1	20
847	1 617 000 348	Guide Ring	1	-,-	1	26
879	1 613 001 009	Depth-Gauge SW 6x210 MM	2	-,-	1	15
888	1 601 106 035	Nameplate 26x42 MM	1	-,-	1	13

Illustration - Type E

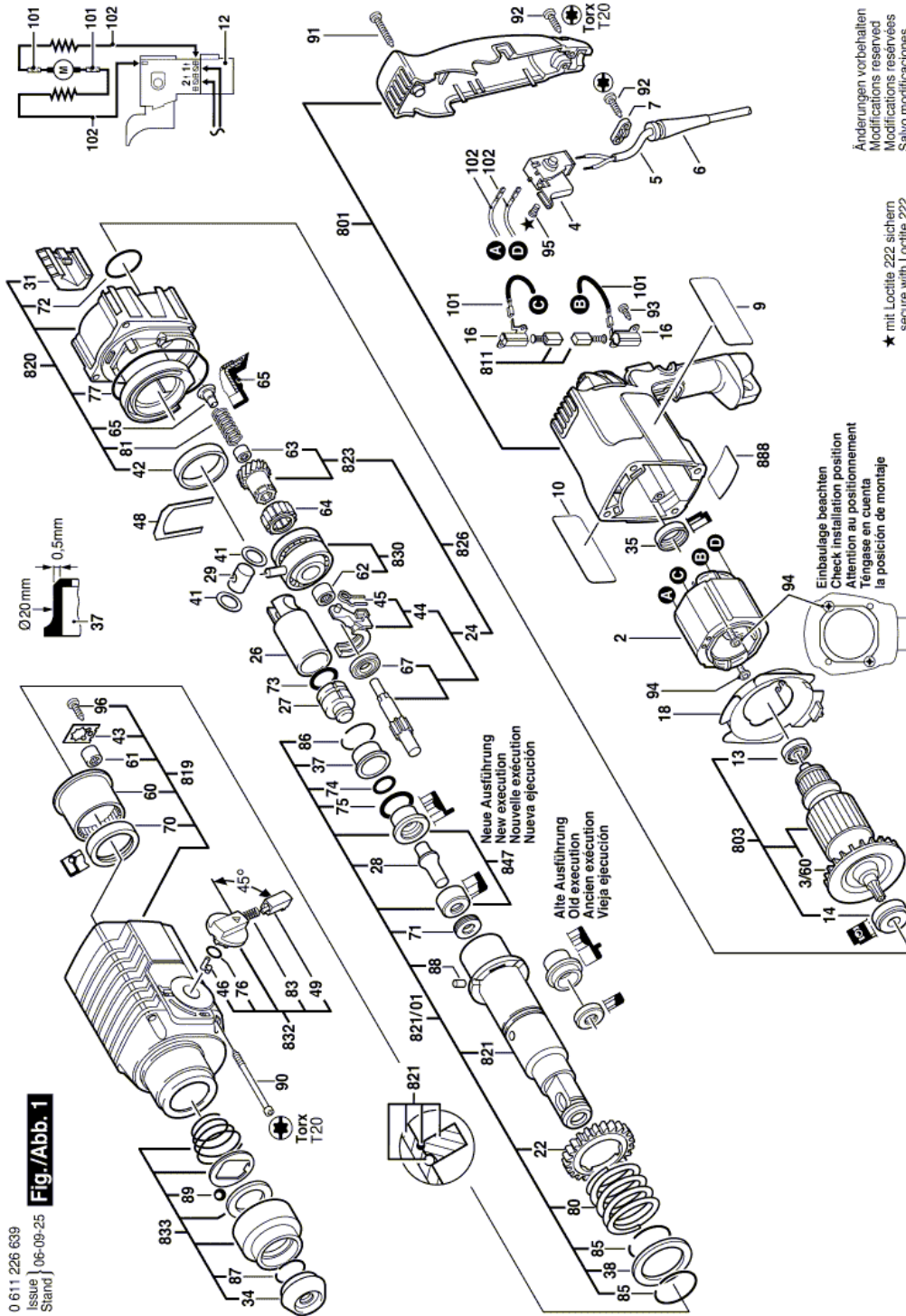
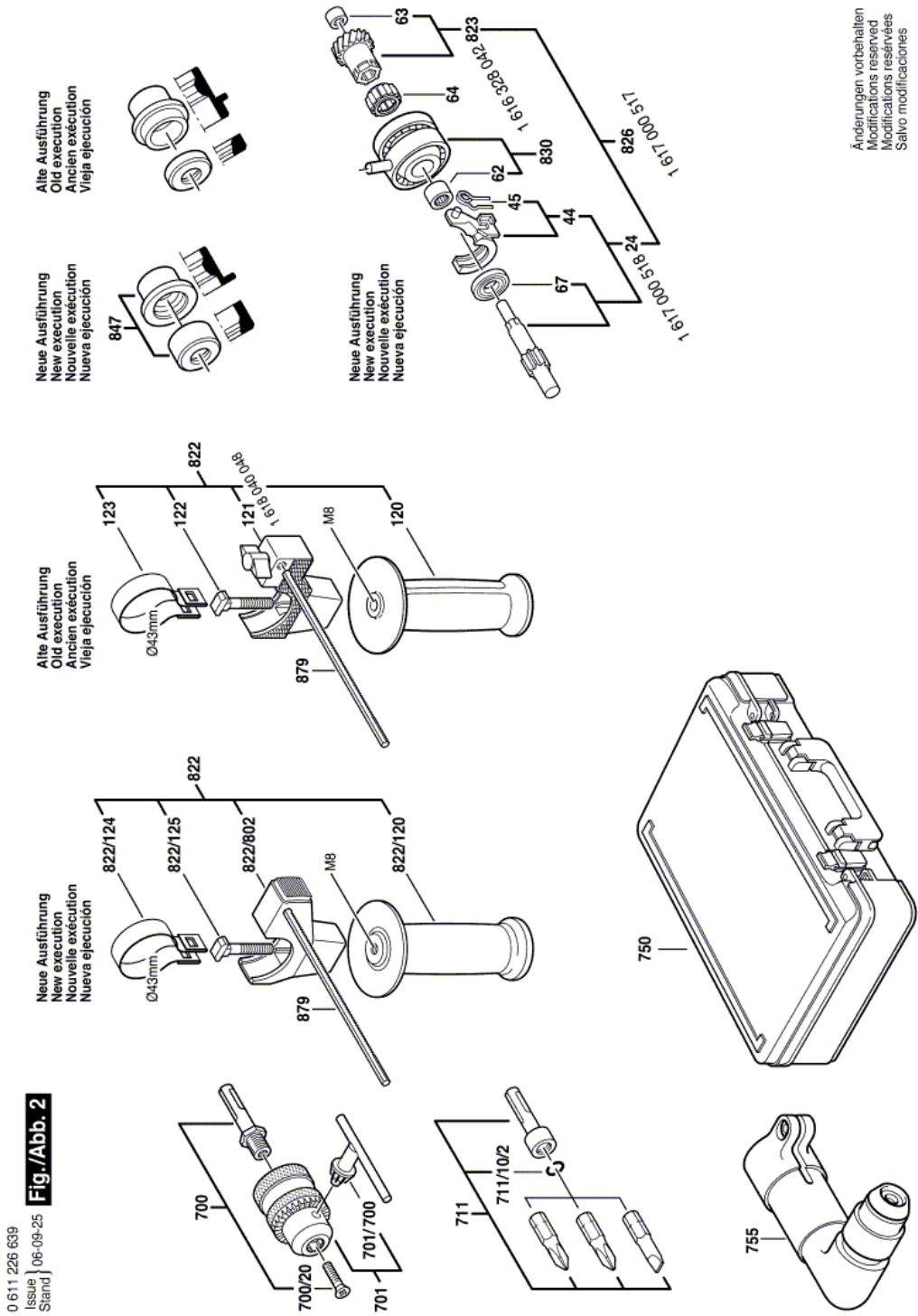


Illustration - Type E



Information subject to change without further notice.