



BOSCH

Rotary Hammer

GBH2-28 L | 3 611 B68 512

Table of Content

Spare parts list.....	2
Illustration - Type.....	5

Rotary Hammer | GBH2-28 L | 3 611 B68 512

Spare parts list

Item	Part Number	Description	Illustration
2	1 614 220 224	Pole Shoe 120V	1
3	1 614 010 272	Armature 120V	1
3/13	1 610 905 032	groove ball bearing 7x19x6	1
3/14	1 610 905 048	groove ball bearing 9x24x7	1
3/49	1 615 700 044	End Shield	1
4/103	1 613 435 034	Lens Head Screw 3x10 ST	1
4/4	1 607 200 37B	Switch	1
4/5	2 610 911 990	Power supply cord USA/CAN 2,70m 2 x 0,82mm SJ 18/2	1
4/6	1 600 703 034	Grommet Ø7,3-Ø8,6x66 MM	1
4/7	1 601 035 008	Cable Clip	1
9	1 611 110 W52	Manufacturer's nameplate RH228VC	1
11	1 611 110 W40	Warning Plate	1
12	1 600 A00 32J	Adapter module	1
16	1 614 336 064	Brush Plate	1
18	1 610 290 183	Clutch Sleeve	1
19	1 611 329 024	Switch Contact	1
24	1 617 000 6EJ	Toothed Shaft	1
24/65	1 610 905 016	groove ball bearing	1
26	1 617 000 6A5	Hammer Piston	1
26/27	1 610 311 019	Striker	1
26/29	1 600 A01 TD0	Piston Pin	1
26/56	1 610 210 121	O-Ring 17,0x3,0 MM GREEN	1
26/71	1 610 100 016	Guide Disc	1
32	1 612 026 037	Clamp Handle BLACK	1
32/46	1 614 690 002	Driver Pin	1
32/49	1 612 026 035	Switch Button RED	1
32/76	1 610 210 046	O-Ring 10,5x2,7 MM	1
32/83	1 614 611 006	Compression Spring	1
35	1 610 202 024	Plain bearing	1
36	1 615 808 106	Bearing Holder	1
45	1 610 522 015	Air-Deflector Ring	1
47	1 616 312 010	Control Element	1
54	1 610 502 016	Rubber Bushing	1
55	1 610 290 104	O-Ring 59,5x5,0 MM	1

Spare parts list

Item	Part Number	Description	Illustration
57	1 610 210 208	O-Ring 24,0x2,0 MM	1
76	1 603 430 00A	Thread-forming tap. Screw	1
79	1 613 435 042	Thread-forming tap. Screw	1
80	1 613 435 043	Screw	1
101	1 614 449 018	Connecting Cable	1
102	1 614 449 019	Connecting Cable	1
105	1 614 643 027	Compression Spring	1
106	1 610 590 024	Protective Sleeve	1
109	1 613 435 029	Thread-forming tap. Screw TORX,T25 SILVER M5x16-	1
110	1 615 510 007	Strap	1
113	1 611 015 057	Stop Plate	1
114	1 610 301 006	Bushing	1
203	1 610 508 047	Protective Cap	1
206	1 613 230 003	Ball Ø7,3 MM	1
207	1 614 601 027	Retaining ring	1
208	1 610 101 629	Retaining Washer	1
209	1 610 102 638	Friction Washer	1
211	2 916 540 012	Retaining ring DIN 7993-A22	1
311/111	1 611 016 004	Tappet	1
311/112	1 611 010 008	Pressure Plate	1
311/115	1 614 643 017	Compression Spring	1
321	1 617 000 6CA	Toolholder	1
321/22	1 616 312 004	Cylindrical Gear	1
321/28	1 613 124 098	Striker Pin	1
321/33	1 610 590 020	Holding Jacket	1
321/34	1 610 190 067	Supporting Disc	1
321/37	1 613 100 019	Straight Pin DIN6325-2,5x12-RIKO	1
321/38	1 600 A00 8AG	Catch Disk	1
321/42	1 610 102 084	Thrust Ring	1
321/46	1 610 390 068	Guide Bushing	1
321/50	1 614 615 008	Compression Spring	1
321/58	1 610 210 105	O-Ring 18,0x3,5 MM	1
321/59	1 600 A00 9VC	Shaft Seal	1
321/60	1 610 210 209	O-Ring 9,5x3,5 MM	1

Rotary Hammer | GBH2-28 L | 3 611 B68 512

Spare parts list

Item	Part Number	Description	Illustration
321/72	1 604 601 027	Retaining ring	1
321/86	1 614 601 034	Retaining ring	1
321/87	1 604 601 028	Retaining ring A22 DIN 7993	1
340	1 605 806 5C1	Gear Housing	1
340/48	1 611 098 008	Tab Washer	1
340/63/63	1 610 910 063	Needle bearing Ø30xØ37x12 MM	1
340/63/64	1 610 390 069	Bushing	1
340/68	1 610 283 036	Rotary shaft lip seal	1
340/78	2 603 490 022	Screw 4x16	1
341	1 617 000 6AF	Handle Cover	1
801	1 617 000 6DT	Motor Housing	1
808	1 601 11A 3H5	Nameplate	1
811	1 617 000 525	Carbon-Brush Set 220 V / 127 V	1
820	1 617 000 6BT	Intermediate Flange	1
821	1 617 000 6C9	Tool Holding Fixture	1
823	1 617 000 6BW	Gear Sleeve	1
825	1 617 000 6CB	Tool Holding Fixture	1
828	1 617 000 697	Striker Pin	1
830	1 617 000 6BX	Drive bearing	1
839	1 607 000 C9A	Cover	1
861	1 615 820 097	Switching Element	1
891	1 617 000 6BZ	Weight	1
120	1 602 025 08X	Auxiliary Handle	2
120/120	1 602 025 07H	Auxiliary Handle	2
120/124	1 611 316 021	Clamping Band Ø50 MM	2
120/125	1 613 490 002	T-Head Bolt M8x40 MM	2
120/802	1 617 000 475	Support clamp	2
688	1 613 001 009	Depth-Gauge SW 6x210 MM	2
870	1 613 523 011	Drill Chuck Shank 1/2", SDS-Plus	2
870/2	2 603 421 207	Countersunk-Head Screw M6x27-KØ11 LEFTHAND THREADS	2
871	1 608 571 069	Chuck Ø1,5-13 MM, 1/2"	2
872	2 607 950 007	Chuck Wrench SG2	2

Illustration - Type - E

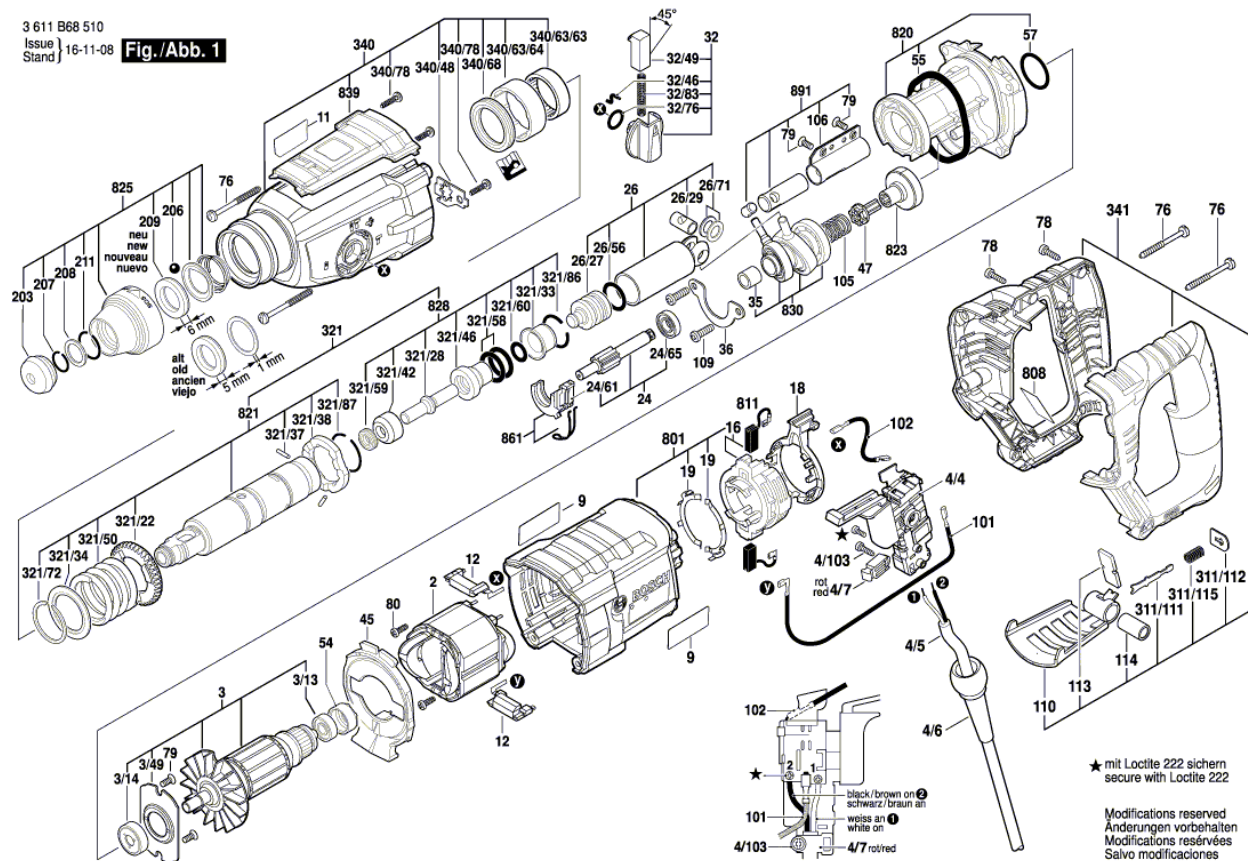
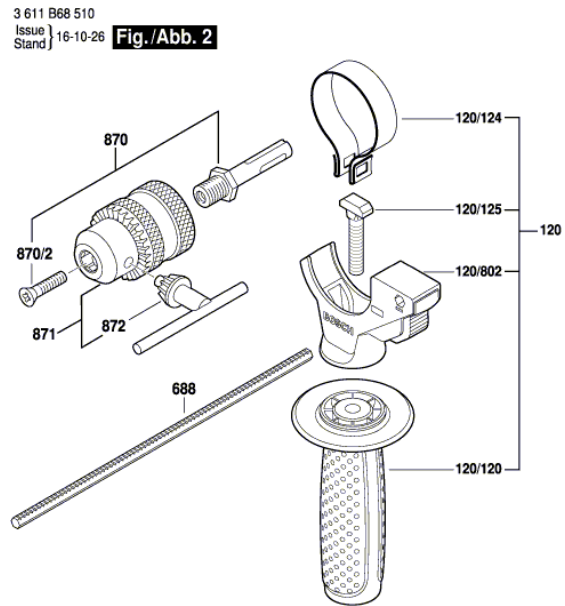


Illustration - Type - E



Modifications reserved
Änderungen vorbehalten
Modifications réservées
Salvo modificaciones