

Rotary Hammer - 3 611 B68 510 - GBH2-28 L

www.powertools-aftersaleservice.com



BOSCH

Item	Part Number	Description	Illustration	Price	Quantity	Price Group
2	1 614 220 224	Pole Shoe 120V	1	-,-	1	29
3	1 614 010 272	Armature 120V	1	-,-	1	41
3/14	1 610 905 048	groove ball bearing 9x24x7	1	-,-	1	21
3/49	1 615 700 044	End Shield	1	-,-	1	12
3/13	1 610 905 032	groove ball bearing 7x19x6	1	-,-	1	17
4/4	1 607 200 32H	On-Off Switch	1	-,-	1	34
4/5	2 610 911 990	Power supply cord USA/CAN 2,70m 2 x 0,82mm SJ 18/2	1	-,-	1	26
4/6	1 600 703 034	Grommet Ø7,3-Ø8,6x66 MM	1	-,-	1	13
4/7	1 601 035 008	Cable Clip	1	-,-	1	11
4/103	1 613 435 034	Lens Head Screw 3x10 ST	1	-,-	1	10
9	1 611 110 W52	Manufacturer's nameplate RH228VC	1	-,-	2	13
11	1 611 110 W40	Warning Plate	1	-,-	1	13
12	1 600 A00 32J	Adapter module	1	-,-	2	11
16	1 614 336 064	Brush Plate	1	-,-	1	29
18	1 610 290 183	Clutch Sleeve	1	-,-	1	14
19	1 611 329 024	Switch Contact	1	-,-	2	11
24	1 617 000 6EJ	Toothed Shaft	1	-,-	1	36
24/61	1 615 820 097	Switching Element	1	-,-	1	15
24/65	1 610 905 016	groove ball bearing	1	-,-	1	22
26	1 617 000 6A5	Hammer Piston	1	-,-	1	38
26/27	1 610 311 019	Striker	1	-,-	1	29
26/29	1 613 105 020	Piston Pin	1	-,-	1	17
26/56	1 610 210 121	O-Ring 17,0x3,0 MM GREEN	1	-,-	1	13
26/71	1 610 100 016	Guide Disc	1	-,-	1	11
32	1 612 026 037	Clamp Handle BLACK	1	-,-	1	24
32/46	1 614 690 002	Driver Pin	1	-,-	1	11
32/49	1 612 026 035	Switch Button RED	1	-,-	1	11
32/76	1 610 210 046	O-Ring 10,5x2,7 MM	1	-,-	1	11
32/83	1 614 611 006	Compression Spring	1	-,-	1	15
35	1 610 202 024	Plain bearing	1	-,-	1	17
36	1 615 808 106	Bearing Holder	1	-,-	1	11
45	1 610 522 015	Air-Deflector Ring	1	-,-	1	12
47	1 616 312 010	Control Element	1	-,-	1	18

Item	Part Number	Description	Illustration	Price	Quantity	Price Group
54	1 610 502 016	Rubber Bushing	1	-,-	1	10
55	1 610 290 104	O-Ring 59,5x5,0 MM	1	-,-	1	15
57	1 610 210 208	O-Ring 24,0x2,0 MM	1	-,-	1	11
76	1 603 430 00A	Thread-forming tap. Screw	1	-,-	8	10
78	2 603 490 022	Screw 4x16	1	-,-	6	10
79	1 613 435 042	Thread-forming tap. Screw	1	-,-	2	10
80	1 613 435 043	Screw	1	-,-	2	10
101	1 614 449 018	Connecting Cable	1	-,-	1	12
102	1 614 449 019	Connecting Cable	1	-,-	1	11
105	1 614 643 027	Compression Spring	1	-,-	1	11
106	1 610 590 024	Protective Sleeve	1	-,-	1	12
109	1 613 435 029	Thread-forming tap. Screw	1	-,-	2	10
110	1 615 510 007	Strap	1	-,-	1	17
113	1 611 015 057	Stop Plate	1	-,-	1	10
114	1 610 301 006	Bushing	1	-,-	1	12
120	1 602 025 08X	Auxiliary Handle	2	-,-	1	28
120/120	1 602 025 07H	Auxiliary Handle	2	-,-	1	23
120/124	1 611 316 021	Clamping Band Ø50 MM	2	-,-	1	14
120/125	1 613 490 002	T-Head Bolt M8x40 MM	2	-,-	1	14
120/802	1 617 000 475	Support clamp	2	-,-	1	22
203	1 610 508 047	Protective Cap	1	-,-	1	12
206	1 613 230 003	Ball Ø7,3 MM	1	-,-	1	11
207	1 614 601 027	Retaining ring	1	-,-	1	10
208	1 610 101 629	Retaining Washer	1	-,-	1	10
209	1 610 102 638	Friction Washer	1	-,-	1	15
211	2 916 540 012	Retaining ring DIN 7993-A22	1	-,-	1	13
311/111	1 611 016 004	Tappet	1	-,-	1	10
311/112	1 611 010 008	Pressure Plate	1	-,-	1	10
311/115	1 614 643 017	Compression Spring	1	-,-	1	10
321	1 617 000 6CA	Toolholder	1	-,-	1	46
321/22	1 616 312 004	Cylindrical Gear	1	-,-	1	24
321/28	1 613 124 098	Striker Pin	1	-,-	1	29
321/33	1 610 590 020	Holding Jacket	1	-,-	1	19
321/34	1 610 190 067	Supporting Disc	1	-,-	1	12
321/37	1 613 100 019	Straight Pin DIN6325-2,5x12-RIKO	1	-,-	3	11
321/38	1 600 A00 8AG	Catch Disk	1	-,-	1	15
321/42	1 610 102 084	Thrust Ring	1	-,-	1	21
321/46	1 610 390 068	Guide Bushing	1	-,-	1	27
321/50	1 614 615 008	Compression Spring	1	-,-	1	18
321/58	1 610 210 105	O-Ring 18,0x3,5 MM	1	-,-	2	15
321/59	1 600 A00 9VC	Shaft Seal	1	-,-	1	14
321/60	1 610 210 209	O-Ring 9,5x3,5 MM	1	-,-	1	11
321/72	1 604 601 027	Retaining ring	1	-,-	1	10
321/86	1 614 601 034	Retaining ring	1	-,-	1	12
321/87	1 604 601 028	Retaining ring A22 DIN 7993	1	-,-	1	10
340	1 605 806 5C1	Gear Housing	1	-,-	1	38
340/48	1 611 098 008	Tab Washer	1	-,-	1	12
340/63/63	1 610 910 063	Needle bearing Ø30xØ37x12 MM	1	-,-	1	18
340/63/64	1 610 390 069	Bushing	1	-,-	1	12
340/68	1 610 283 036	Rotary shaft lip seal	1	-,-	1	20
340/78	2 603 490 022	Screw 4x16	1	-,-	3	10
341	1 617 000 6AF	Handle Cover	1	-,-	1	31
688	1 613 001 009	Depth-Gauge SW 6x210 MM	2	-,-	1	15

Item	Part Number	Description	Illustration	Price	Quantity	Price Group
801	1 617 000 6DT	Motor Housing	1	-,-	1	33
808	1 601 11A 3H5	Nameplate	1	-,-	1	13
811	1 617 000 525	Carbon-Brush Set	1	-,-	1	23
820	1 617 000 6BT	Intermediate Flange	1	-,-	1	39
821	1 617 000 6C9	Tool Holding Fixture	1	-,-	1	41
823	1 617 000 6BW	Gear Sleeve	1	-,-	1	32
825	1 617 000 6CB	Tool Holding Fixture	1	-,-	1	24
828	1 617 000 697	Striker Pin	1	-,-	1	38
830	1 617 000 6BX	Drive bearing	1	-,-	1	37
839	1 607 000 C9A	Cover	1	-,-	1	22
861	1 615 820 097	Switching Element	1	-,-	1	15
870	1 613 523 011	Drill Chuck Shank 1/2", SDS-Plus	2	-,-	1	30
870/2	2 603 421 207	Countersunk-Head Screw M6x27-KØ11 LEFTHAND THREADS	2	-,-	1	11
871	1 608 571 069	Chuck Ø1,5-13 MM, 1/2"	2	-,-	1	32
872	2 607 950 007	Chuck Wrench SG2	2	-,-	1	19
891	1 617 000 6BZ	Weight	1	-,-	1	20

Illustration - Type E

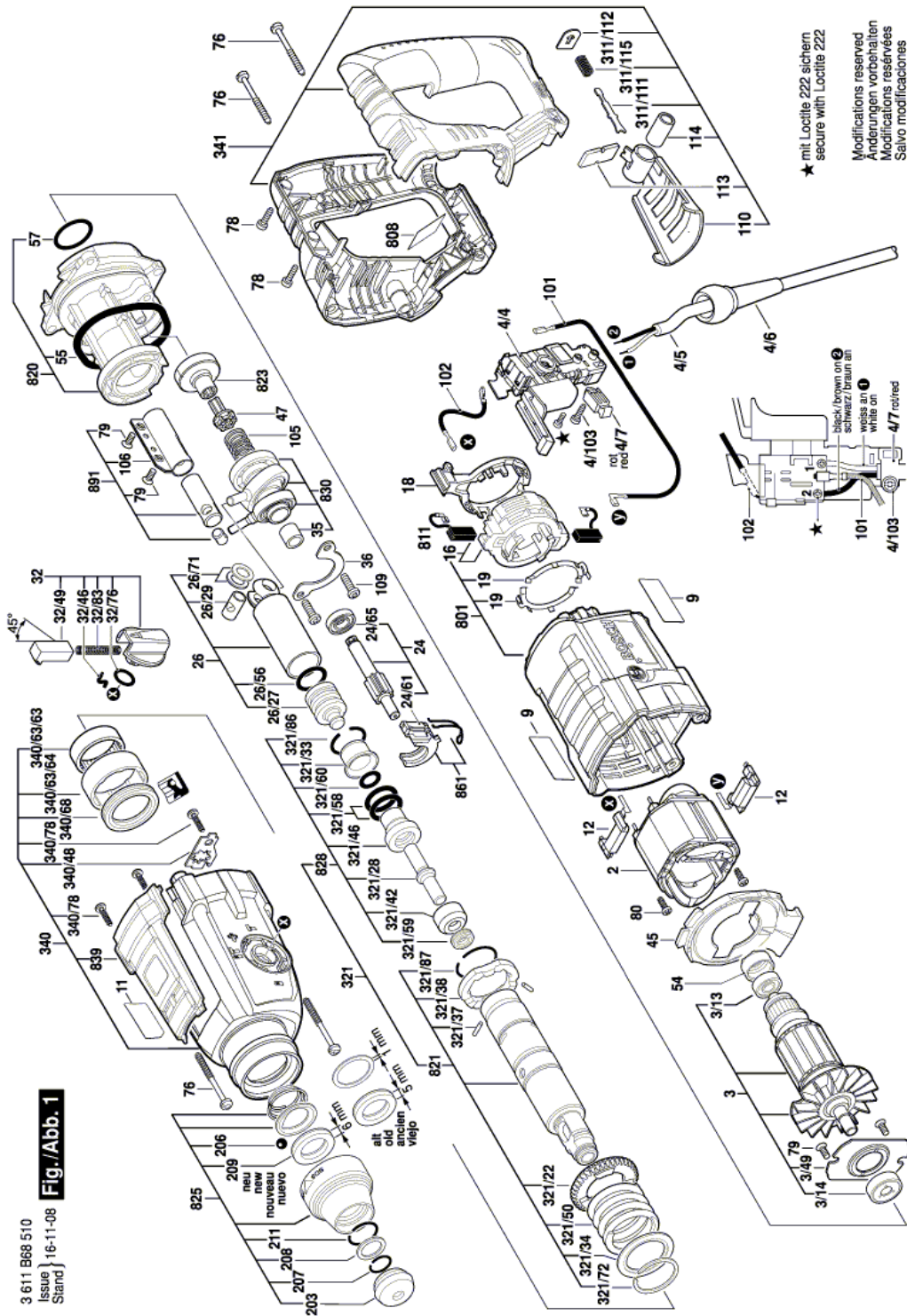
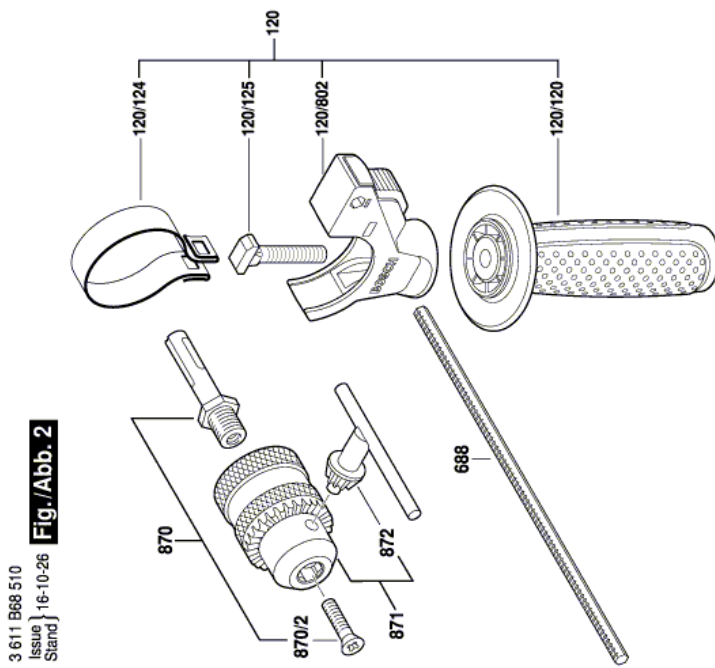


Illustration - Type E



3 611 B68 510
Issue } 16-10-26
Stand } **Fig./Abb. 2**

Modifications reserved
Änderungen vorbehalten
Modifications réservées
Salvo modificaciones

Information subject to change without further notice.