



**BOSCH**

# Rotary Hammer

GBH 2-26 E | 0 611 251 643

---

## Table of Content

Spare parts list.....	2
Illustration - Type.....	5

## Spare parts list

Item	Part Number	Description	
2	1 619 P02 428	Field	1619P02428
3/13	1 610 905 025	groove ball bearing	7x19x6
3/5	1 616 610 094	Fan	
4	1 607 200 32D	Switch	
4/102	1 614 449 015	Connecting Cable	
5	1 614 460 090	Power supply cord H07 RN-F	CN 4,15m 2 x 1,0mm
6	1 600 703 034	Grommet	Ø7,3-Ø8,6x66 MM
9	1 611 110 X52	Manufacturer's nameplate	GBH 2-26 E
10	1 611 110 X53	Manufacturer's nameplate	GBH 2-26 E
11	1 611 110 X42	Reference Plate	
14	1 619 P15 694	Ball Bearing	
16	1 614 336 058	Brush Plate	
17	1 614 465 011	Suppression Filter	
19	1 611 329 024	Switch Contact	
22	1 616 312 004	Cylindrical Gear	
27	1 610 311 018	Striker	
28	1 613 124 081	Striker Pin	
29	1 613 105 012	Piston Pin	
31	1 610 913 016	Needle-Roller Assembly	
32	1 612 026 157	Clamp Handle	BLACK
32/46	1 614 690 002	Driver Pin	
32/49	1 612 026 035	Switch Button	RED
32/76	1 610 210 046	O-Ring	10,5x2,7 MM
32/83	1 614 611 006	Compression Spring	
33	1 610 590 014	Holding Jacket	
34	1 610 190 067	Supporting Disc	
35	1 610 202 024	Plain bearing	
36	1 611 016 003	Holding Plate	
37	1 613 100 019	Straight Pin	DIN6325-2,5x12-RIKO
38	1 610 190 048	Catch Disk	
41	1 615 500 344	Housing Cover	
42	1 610 102 073	Thrust Ring	
44	1 610 508 047	Protective Cap	
45	1 619 P09 825	Air-Deflector Ring	

Spare parts list

Item	Part Number	Description
46	2 608 670 714	Guide Bushing
47	1 613 100 030	Needle Roller
49	1 615 700 044	End Shield
50	1 614 611 020	Compression Spring
54	1 610 502 016	Rubber Bushing
55	1 610 290 079	Seal Ring 53,0x7,0 MM
56	1 616 B00 086	O-Ring
57	1 610 210 068	O-Ring 24,0x2,5 MM
58	1 610 210 178	O-Ring
59	1 610 283 035	Rotary shaft lip seal
60	1 610 210 176	O-Ring 9,0x3,5 MM
62	1 610 210 179	O-Ring
63	1 610 910 063	Needle bearing Ø30xØ37x12 MM
64/1	1 610 190 060	Supporting Disc
66	1 610 202 021	Plain bearing
68	1 610 283 036	Rotary shaft lip seal
70	1 903 230 013	Ball DIN 5401-Ø7MM-III-ST
71	1 610 101 011	Shim washer 1,2 MM THICK
72	1 604 601 027	Retaining ring
74	1 614 601 027	Retaining ring
75	1 610 101 629	Retaining Washer
76	1 603 430 00A	Thread-forming tap. Screw
77	2 603 490 024	Torx Oval-Head Screw 4x25
79	1 613 435 023	Thread-forming tap. Screw
80	1 613 435 043	Screw
82	1 614 601 034	Retaining ring
83	1 604 601 028	Retaining ring A22 DIN 7993
87	2 916 540 012	Retaining ring DIN 7993-A22
101	1 614 449 014	Connecting Cable
105	1 614 611 021	Compression Spring
801	1 617 000 V67	Motor Housing BLUE
803	1 619 P00 349	Armature set 1619P02709
806	1 900 452 012	End Splice DIN 46 228-A1-6
808	1 601 11A 3H5	Nameplate
811	1 617 000 525	Carbon-Brush Set

Spare parts list

Item	Part Number	Description
820	1 617 000 6DX	Intermediate Flange
821	1 617 000 564	Pipe
823	1 617 000 597	Toothed Shaft
824	1 617 000 589	Toothed Shaft
825	1 617 000 598	Tool Holding Fixture
826	1 600 A01 U34	Hammer Piston
830	1 600 A01 U33	Drive bearing
840	1 617 000 599	Gear Housing
843	1 617 000 582	Protection Sleeve
861	1 615 820 097	Switching Element
864	1 617 000 A07	Supporting Disc
866	1 614 611 022	Plain bearing
651	1 613 001 009	Depth-Gauge SW 6x210 MM
651	2 603 001 009	Depth-Gauge
691/895	1 615 438 409	Lock for 1 615 438 486+...358+...367
691/895	1 615 438 431	Lock for 1 615 438 429 + 1 615 438 430
822	1 602 025 08X	Auxiliary Handle
822/120	1 602 025 07H	Auxiliary Handle
822/124	1 611 316 021	Clamping Band Ø50 MM
822/125	1 613 490 002	T-Head Bolt M8x40 MM
822/802	1 617 000 475	Support clamp
870	1 613 523 011	Drill Chuck Shank 1/2", SDS-Plus
870/2	2 603 421 207	Countersunk-Head Screw M6x27-KØ11 LEFTHAND THREADS
871	1 608 571 088	Chuck
872	2 607 950 007	Chuck Wrench SG2

Illustration - Type - E

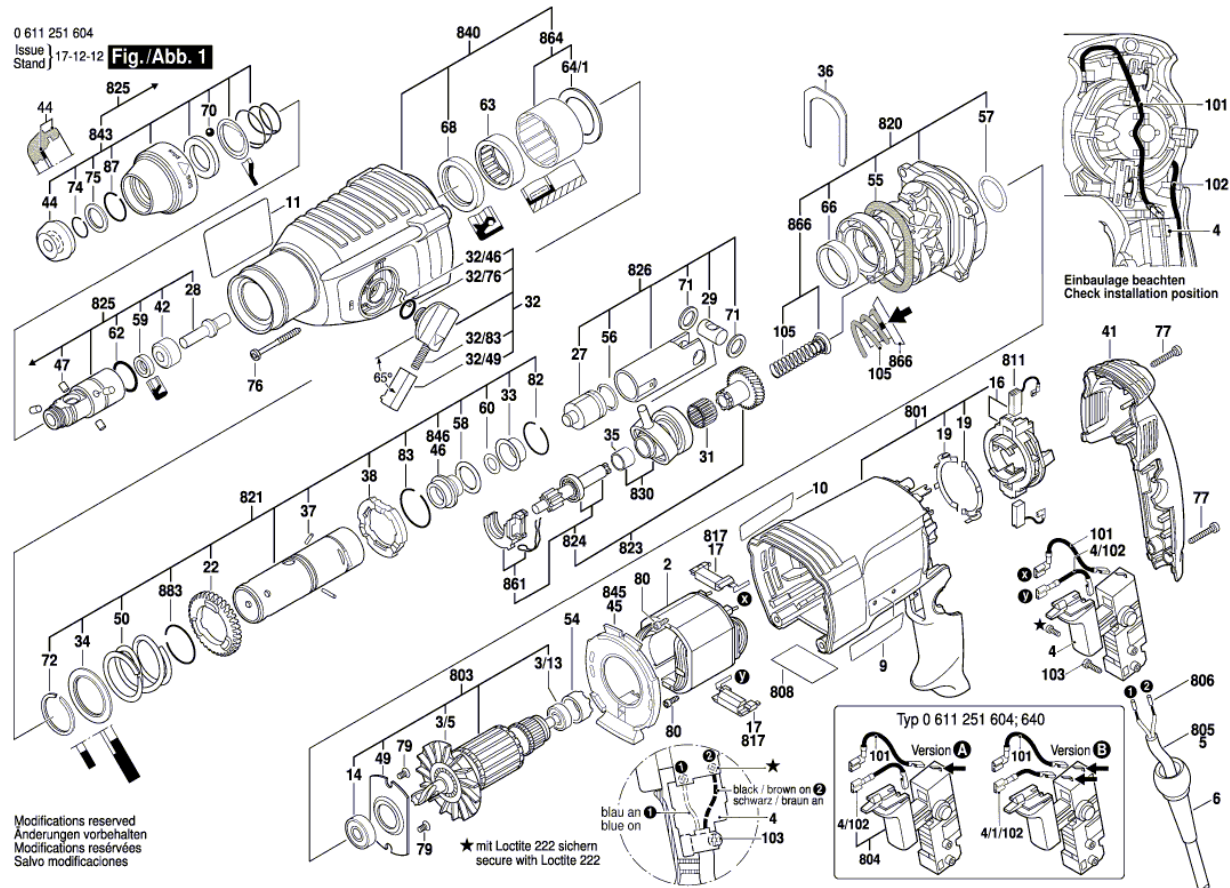
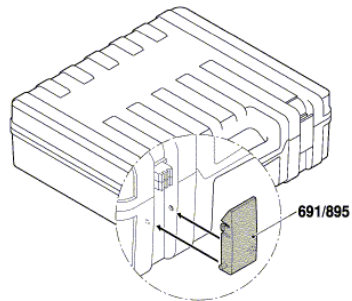
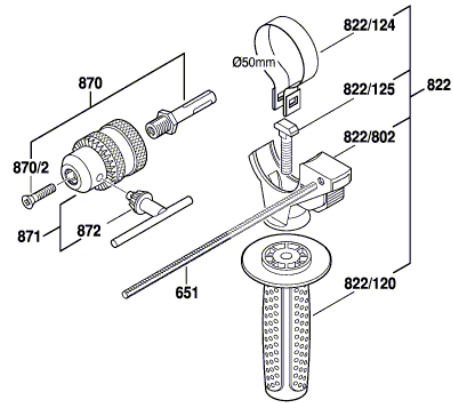


Illustration - Type - E

0 611 251 604  
Issue | 14-10-29  
Stand | **Fig./Abb. 2**



Modifications reserved  
Änderungen vorbehalten  
Modifications réservées  
Salvo modificaciones