

Universal Rotary Hammer - 0 611 218 734 - GBH 2-24...

www.powertools-aftersaleservice.com



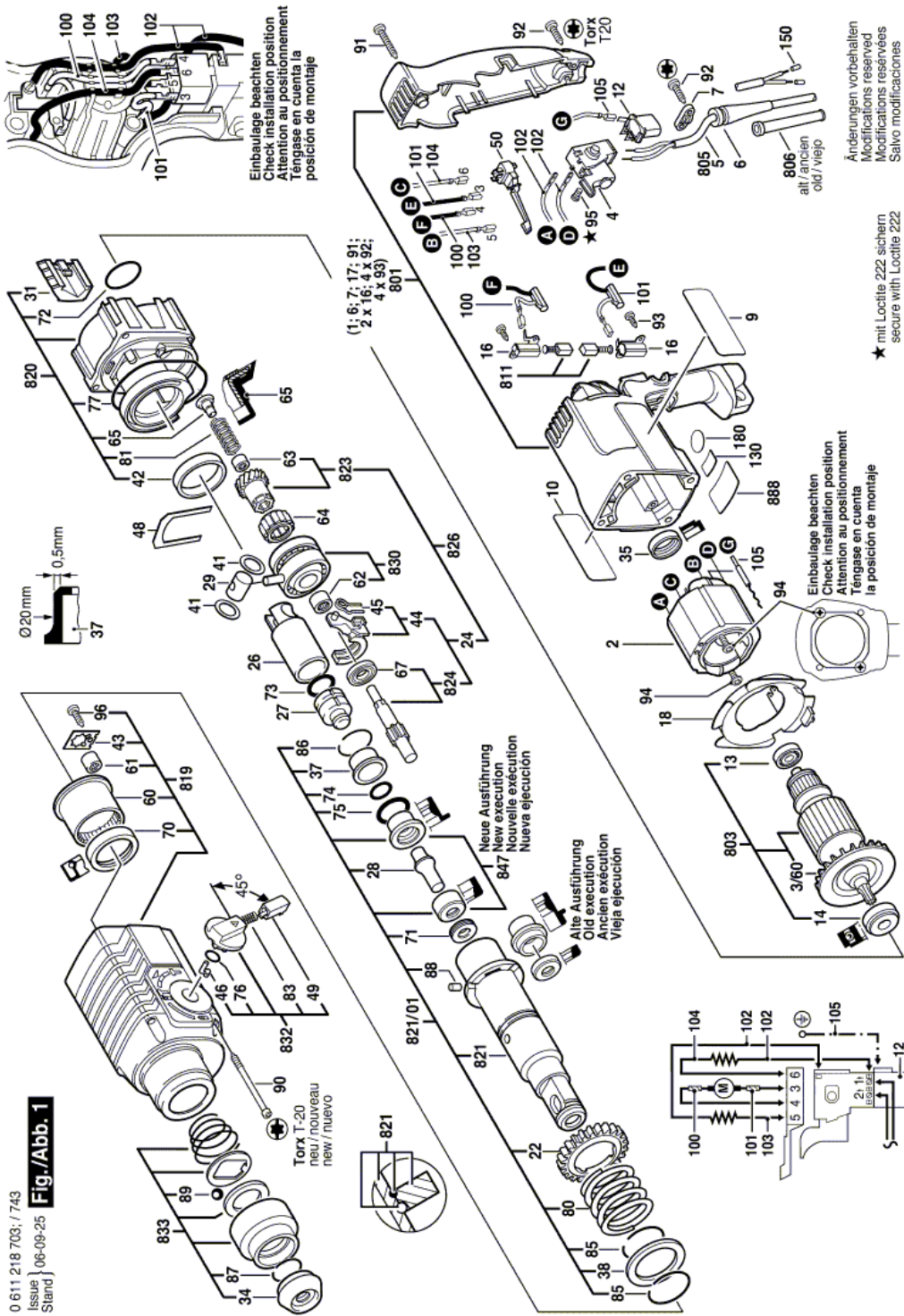
BOSCH

Item	Part Number	Description	Illustration	Price	Quantity	Price Group
2	1 614 220 105	Field 100-120V	1	-,-	1	31
3/60	1 616 610 072	Fan BLACK	1	-,-	1	12
4	2 607 200 210	Switch	1	-,-	1	38
5	2 604 460 249	Power supply cord SAM 2,7m 2 x 0,82mm SJ 18/2	1	-,-	1	27
6	2 600 703 017	Grommet Ø6,4-Ø7,2x76 MM	1	-,-	1	13
6	2 600 703 019	Grommet Ø8,7-Ø9,6x76 MM	1	-,-	1	13
7	2 601 035 001	Cable Clip	1	-,-	1	11
9	1 611 110 570	Manufacturer's nameplate	1	-,-	1	15
10	1 611 110 571	Manufacturer's nameplate	1	-,-	1	-
13	1 610 905 025	Deep-Groove Ball Bearing 7x19x6	1	-,-	1	19
14	1 610 905 048	Deep-Groove Ball Bearing 9x24x7	1	-,-	1	21
16	2 604 337 016	Brush Holder	1	-,-	2	11
18	1 610 522 009	Air-Deflector Ring	1	-,-	1	11
22	1 616 317 602	Cylindrical Gear Z=50	1	-,-	1	24
24	1 617 000 518	Toothed Shaft Z=3/9	1	-,-	1	36
26	1 618 700 062	Hammer Piston	1	-,-	1	26
27	1 618 710 057	Striker	1	-,-	1	27
28	1 613 124 040	Striker Pin	1	-,-	1	17
29	1 613 105 012	Piston Pin	1	-,-	1	15
31	1 615 510 003	Protective Grille	1	-,-	1	13
34	1 610 508 008	Protective Cap L=17 MM, SDS-PLUS	1	-,-	1	12
35	1 610 206 021	Rubber Ring	1	-,-	1	11
37	1 610 390 017	Damping Bushing	1	-,-	1	17
38	1 610 102 026	Supporting Disc	1	-,-	1	13
41	1 610 101 011	Shim washer 1,2 MM THICK	1	-,-	2	11
42	1 610 202 015	Plain bearing	1	-,-	1	14
43	1 611 098 005	Tab Washer	1	-,-	1	14
44	1 615 820 092	Switching Element	1	-,-	1	13
45	1 614 651 014	Switch Spring	1	-,-	1	11
46	1 614 690 002	Driver Pin	1	-,-	1	11
48	1 611 016 003	Holding Plate	1	-,-	1	12
49	1 612 026 035	Switch Button RED	1	-,-	1	11
50	2 607 200 231	Change-Over Switch	1	-,-	1	25

Item	Part Number	Description	Illustration	Price	Quantity	Price Group
60	1 610 910 073	Needle-Roller Bearing	1	-,-	1	23
61	1 610 910 098	Needle bearing	1	-,-	1	15
62	1 610 910 074	Needle bearing	1	-,-	1	15
63	1 610 910 064	Needle bearing	1	-,-	1	14
64	1 610 913 010	Needle-Roller Assembly	1	-,-	1	16
65	1 610 591 016	Plain bearing	1	-,-	1	13
67	1 610 905 016	Deep-Groove Ball Bearing	1	-,-	1	22
70	1 610 283 019	Shaft Seal	1	-,-	1	20
71	1 610 290 029	Scraper	1	-,-	1	13
72	1 610 210 068	O-Ring 24,0x2,5 MM	1	-,-	1	11
73	1 610 210 187	O-Ring	1	-,-	1	12
74	1 610 210 104	O-Ring 11,0x3,5 MM	1	-,-	1	13
75	1 610 210 105	O-Ring 18,0x3,5 MM	1	-,-	1	13
76	1 610 210 046	O-Ring 10,5x2,7 MM	1	-,-	1	11
77	1 610 210 106	O-Ring 60,0x3,0 MM	1	-,-	1	13
80	1 614 634 005	Compression Spring	1	-,-	1	11
81	1 614 611 009	Compression Spring	1	-,-	1	11
83	1 614 611 006	Compression Spring	1	-,-	1	15
85	1 614 601 011	Retaining ring	1	-,-	2	11
86	1 614 601 024	Retaining ring	1	-,-	1	11
87	2 916 540 012	Retaining ring DIN 7993-A22	1	-,-	1	13
88	1 613 200 007	Roller	1	-,-	3	11
89	1 903 230 013	Ball DIN 5401-Ø7MM-III-ST	1	-,-	1	10
90	1 603 435 036	Tapping Screw 4,8x78 MM, TORX T-20	1	-,-	4	11
90	1 603 435 019	Tapping Screw BZ 4,8x78 MM	1	-,-	4	11
91	1 603 435 051	Tapping Screw ST3,9x32 SILVER	1	-,-	1	11
92	1 603 435 050	Tapping Screw ST3,9x19-TORX,T20	1	-,-	4	11
93	2 910 211 005	Tapping Screw DIN 7971-ST2,9x9,5-F	1	-,-	4	10
94	2 603 435 015	Recessed-Head Screw DIN 7981-ST3,5x9,5-F	1	-,-	2	11
95	2 603 410 001	Socket head cap screw M3x6,5-4.8	1	-,-	2	11
96	2 912 401 018	Tapping Screw DIN7981-ST3,9x13-C-Z	1	-,-	1	10
100	2 604 448 104	Connecting Cable L=63 MM WHITE	1	-,-	1	11
101	1 614 448 034	Connecting Cable L=45 MM BLUE	1	-,-	1	11
102	1 614 438 001	Connecting Cable L=126 MM WHITE	1	-,-	2	-
103	1 614 448 017	Connecting Cable L=55 MM WHITE	1	-,-	1	12
104	1 614 431 023	Connecting Cable L=90 MM WHITE	1	-,-	1	12
105	1 614 449 010	Earth Conductor	1	-,-	1	13
120	1 612 025 019	Auxiliary Handle M8	2	-,-	1	19
121	1 618 040 048	index turning toolholder Ø43 MM	2	-,-	1	21
122	1 613 490 002	T-Head Bolt M8x40 MM	2	-,-	1	13
123	1 611 316 006	Clamping Band Ø43 MM	2	-,-	1	13
700	1 617 000 154	Drill Chuck Shank 1/2"SDS-PLUS	2	-,-	1	31
700/20	2 603 421 226	Countersunk-Head Screw M6x27 LEFTHAND THREADS	2	-,-	1	11
701	1 608 571 088	Chuck	2	-,-	1	32
701/700	2 607 950 007	Chuck Wrench SG2	2	-,-	1	18
711	1 617 000 133	Parts Set	2	-,-	1	-
711/10/2	2 604 601 004	Retaining ring	2	-,-	1	11
720	2 602 025 070	Auxiliary Handle Ø43 MM	2	-,-	1	26
724	1 613 001 009	Depth-Gauge SW 6x210 MM	2	-,-	1	15
750	2 605 438 294	Carrying Case	2	-,-	1	-
755	1 618 580 000	Angle Drill Head SDS-PLUS	2	-,-	1	-
801	1 615 108 062	Motor Housing BLUE	1	-,-	1	31
803	1 614 010 175	Armature 115V	1	-,-	1	48

Item	Part Number	Description	Illustration	Price	Quantity	Price Group
806	2 600 703 013	Grommet Ø7,6-Ø8,2x95 MM	1	-,-	1	13
806	2 600 703 011	Grommet Ø8,3-Ø9,4x95 MM	1	-,-	1	13
811	1 617 014 114	Carbon Brush	1	-,-	1	22
817	1 615 132 047	Housing Cover BLUE	2	-,-	1	18
819	1 615 806 093	Gear Housing BLACK	1	-,-	1	38
820	1 617 000 981	Intermediate Flange	1	-,-	1	32
821	1 616 490 061	Ratchet Sleeve SDS-PLUS	1	-,-	1	40
821/01	1 616 490 060	Ratchet Sleeve SDS-PLUS	1	-,-	1	43
823	1 616 328 042	Gear Sleeve Z=26/6	1	-,-	1	36
826	1 617 000 517	Toothed Shaft Z=3/9	1	-,-	1	43
830	1 615 819 018	Drive bearing	1	-,-	1	41
832	1 612 026 037	Clamp Handle BLACK	1	-,-	1	24
833	1 617 000 163	Protection Sleeve SDS-PLUS	1	-,-	1	20
847	1 617 000 348	Guide Ring	1	-,-	1	26
865	1 610 920 007	D-Groove Ball Thr Bearing	N/A	-,-	1	16
888	1 601 106 035	Nameplate 26x42 MM	1	-,-	1	13

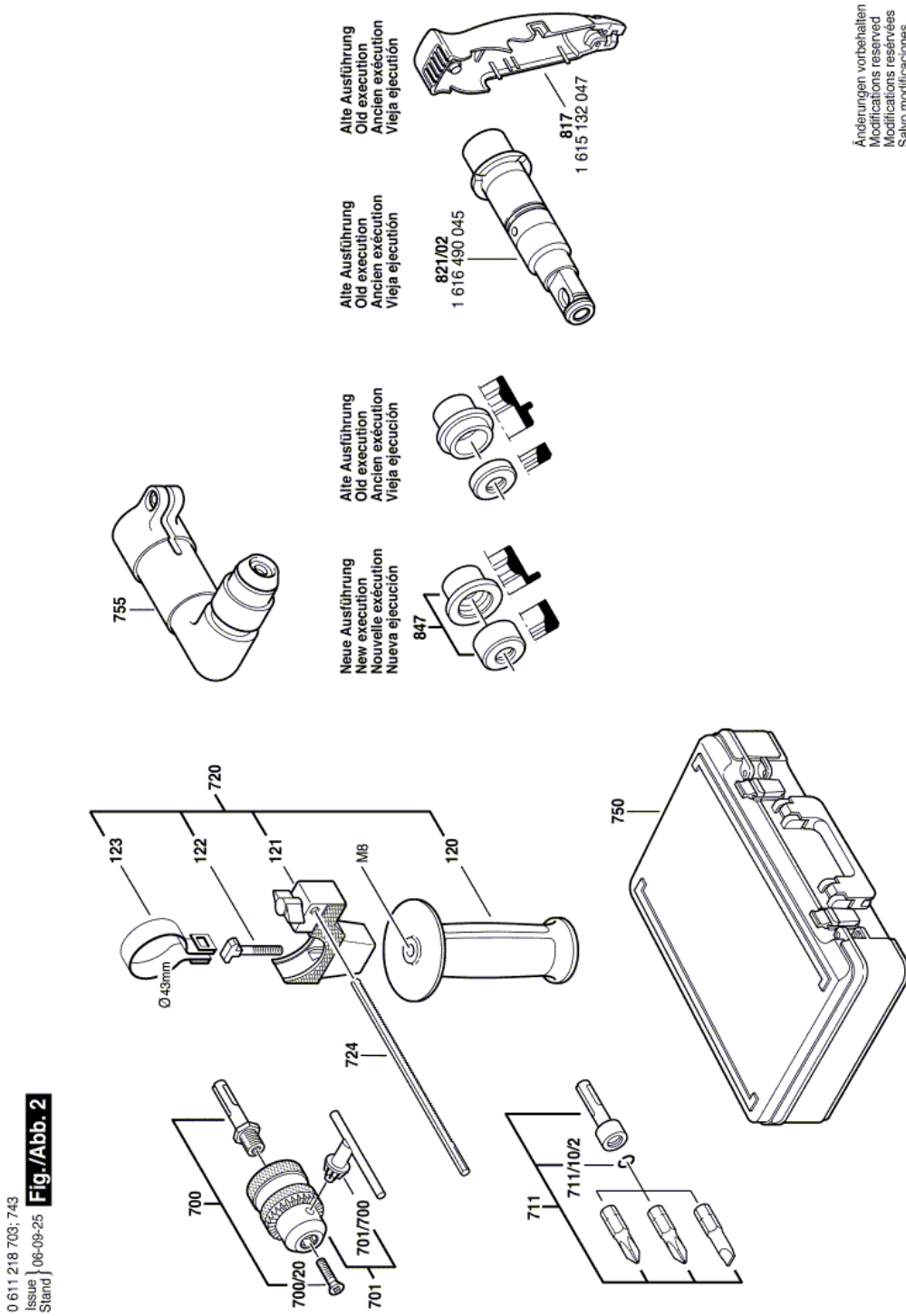
Illustration - Type E



0 611 218 703 / 743
Issue | 06-09-25
Stand

Fig./Abb. 1

Illustration - Type E



Information subject to change without further notice.