

Cordless Hammer Drill - 3 611 J09 010 - GBH 18V-26

www.powertools-aftersaleservice.com



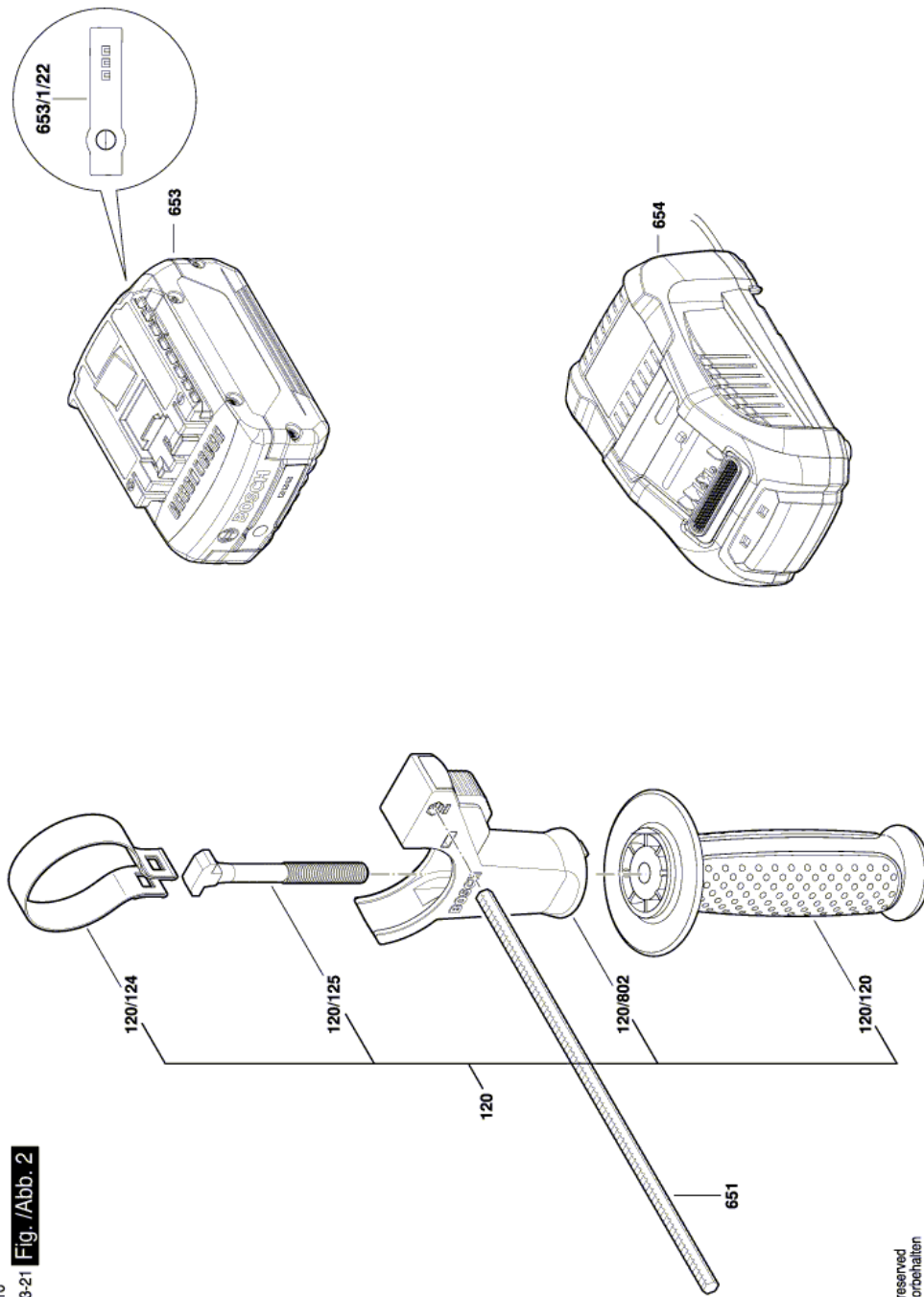
BOSCH

Item	Part Number	Description	Illustration	Price	Quantity	Price Group
1	1 605 108 2B2	Housing Section	1	-,-	1	32
3	1 600 A00 AR1	Rotor	1	-,-	1	38
4	1 607 233 59J	Electronics Module	1	-,-	1	47
5	1 609 280 477	Compression Spring	1	-,-	1	11
9	1 601 11C 0RR	Manufacturer's nameplate	1	-,-	1	13
10	1 601 11C 0RS	Manufacturer's nameplate	1	-,-	1	13
11	1 601 11C 0RY	Warning Plate	1	-,-	1	13
17/18	1 610 210 156	O-Ring 39,0x3,0 MM	1	-,-	1	11
24	1 600 A00 H7C	Jack Shaft	1	-,-	1	28
24/61	1 600 A00 MX9	Switching Element	1	-,-	1	11
24/65	1 610 905 016	groove ball bearing	1	-,-	1	22
26	1 600 A00 H7D	Hammer Piston	1	-,-	1	31
26/27	1 600 A00 733	Striker	1	-,-	1	22
26/29	1 613 105 020	Piston Pin	1	-,-	1	17
26/56	1 610 210 187	O-Ring	1	-,-	1	12
26/71	1 610 100 016	Guide Disc	1	-,-	2	11
30	1 600 A00 H7E	Drive bearing Auf Zeichnung Pos.830	1	-,-	1	30
32	1 612 026 037	Clamp Handle BLACK	1	-,-	1	24
32/46	1 614 690 002	Driver Pin	1	-,-	1	11
32/49	1 612 026 035	Switch Button RED	1	-,-	1	11
32/76	1 610 210 046	O-Ring 10,5x2,7 MM	1	-,-	1	11
32/83	1 614 611 006	Compression Spring	1	-,-	1	15
36	1 600 A00 7TL	Bearing Holder	1	-,-	1	12
41	1 605 108 2B8	Motor Housing	1	-,-	1	17
47	1 613 100 030	Needle Roller	1	-,-	4	14
51	1 600 A00 7JH	Control Element	1	-,-	1	20
55	1 610 210 206	Seal Ring 63,0x5,0 MM	1	-,-	1	18
57	1 610 210 208	O-Ring 24,0x2,0 MM	1	-,-	1	11
64/1	1 610 190 060	Supporting Disc	1	-,-	1	12
76	1 613 435 022	Thread-forming tap. Screw	1	-,-	4	11
77	2 603 490 023	Torx Oval-Head Screw 4x20	1	-,-	12	10
79	1 613 435 023	Thread-forming tap. Screw	1	-,-	2	10
80	1 603 430 00V	Torx Oval-Head Screw	1	-,-	7	10

Item	Part Number	Description	Illustration	Price	Quantity	Price Group
81	1 603 435 086	Torx head screw	1	-,-	1	10
84	1 600 A00 1E5	Switch Slide	1	-,-	1	11
88	2 916 660 042	Retaining ring	1	-,-	1	10
92	1 600 A00 1ED	Control Element	1	-,-	1	12
93	1 600 A00 798	Guide Piece	1	-,-	1	22
94	1 601 200 006	Leaf Spring	1	-,-	1	10
100	1 600 A00 752	Lens	1	-,-	1	11
101	1 600 A00 7RX	Adjusting disk 0,200	1	-,-	1	11
101	1 600 A00 7RY	Adjusting disk 0,3	1	-,-	1	11
101	1 600 A00 7RZ	Adjusting disk 0,4	1	-,-	1	11
102	2 603 100 056	Damping rubber	1	-,-	2	11
105	1 600 A00 7RE	Compression Spring	1	-,-	1	10
109	1 603 435 07U	Thread-forming tap. Screw	1	-,-	2	10
120	1 602 025 08X	Auxiliary Handle	2	-,-	1	28
120/120	1 602 025 07H	Auxiliary Handle	2	-,-	1	23
120/124	1 611 316 021	Clamping Band Ø50 MM	2	-,-	1	14
120/125	1 613 490 002	T-Head Bolt M8x40 MM	2	-,-	1	14
120/802	1 617 000 475	Support clamp	2	-,-	1	22
200	1 600 A00 1CL	Bellows	1	-,-	1	17
202	1 610 499 054	Protection Sleeve	1	-,-	1	10
203	1 610 508 047	Protective Cap	1	-,-	1	12
204	1 614 643 003	Compression Spring	1	-,-	1	10
206	1 903 230 013	Ball DIN 5401-Ø7MM-III-ST	1	-,-	1	11
207	1 614 601 027	Retaining ring	1	-,-	1	10
208	1 610 101 629	Retaining Washer	1	-,-	1	10
209	1 610 102 025	Friction Washer	1	-,-	1	12
210	1 610 190 011	Holding Plate	1	-,-	1	11
211	1 604 601 02S	Retaining ring	1	-,-	1	10
321/22	1 600 A00 7JW	Cylindrical Gear	1	-,-	1	21
321/28	1 613 124 081	Striker Pin	1	-,-	1	21
321/33	1 610 590 014	Holding Jacket	1	-,-	1	12
321/34	1 610 190 067	Supporting Disc	1	-,-	1	12
321/37	1 613 100 019	Straight Pin DIN6325-2,5x12-RIKO	1	-,-	3	11
321/38	1 600 A00 8AG	Catch Disk	1	-,-	1	15
321/42	1 610 102 073	Thrust Ring	1	-,-	1	16
321/46	1 610 390 051	Guide Bushing	1	-,-	1	19
321/50	1 614 611 020	Compression Spring	1	-,-	1	14
321/58	1 610 210 178	O-Ring	1	-,-	1	11
321/59	1 610 283 035	Rotary shaft lip seal	1	-,-	1	18
321/60	1 610 210 176	O-Ring 9,0x3,5 MM	1	-,-	1	10
321/62	1 610 210 179	O-Ring	1	-,-	1	11
321/72	1 604 601 027	Retaining ring	1	-,-	1	10
321/73	1 614 601 012	Retaining ring	1	-,-	1	11
321/82	1 614 601 034	Retaining ring	1	-,-	1	12
321/83	1 604 601 028	Retaining ring A22 DIN 7993	1	-,-	1	10
340	1 600 A00 H7F	Impact Mechanism Housing	1	-,-	1	33
340/48	1 611 098 008	Tab Washer	1	-,-	1	12
340/63	1 610 910 063	Needle bearing Ø30xØ37x12 MM	1	-,-	1	18
340/67	1 610 910 098	Needle bearing	1	-,-	1	15
340/68	1 600 A00 9VG	Rotary shaft lip seal	1	-,-	1	17
340/78	2 603 490 022	Screw 4x16	1	-,-	1	10
651	1 613 001 009	Depth-Gauge SW 6x210 MM	2	-,-	1	15
653	2 609 199 966	Battery Pack BAT622 18V 6,0 AH	2	-,-	1	50

Item	Part Number	Description	Illustration	Price	Quantity	Price Group
654	2 607 225 927	Charger USA BC 1880 CV 13,3-18V/120V	2	-,-	1	47
802	1 600 A01 5E8	Stator	1	-,-	1	37
808	1 601 11A 3H9	Nameplate	1	-,-	1	13
817	1 607 000 C8Y	Bearing Flange	1	-,-	1	33
820	1 607 000 C8X	Intermediate Flange	1	-,-	1	34
821	1 607 000 C8Z	Pipe	1	-,-	1	41
825	1 617 000 598	Tool Holding Fixture	1	-,-	1	41
855	1 600 210 07U	O-Ring	1	-,-	1	18
864	1 617 000 A07	Supporting Disc	1	-,-	1	23

Illustration - Type E



3 611 J09 010
Issue 17-03-21
Stand **Fig. /Abb. 2**

Modifications reserved
Änderungen vorbehalten
Modificacions reservées
Salvo modificaciones

Information subject to change without further notice.