



BOSCH

Cordless Hammer Drill

GBH 18V-24 C | 3 611 J23 010

Table of Content

Spare parts list.....	2
Illustration - Type.....	5

Cordless Hammer Drill | GBH 18V-24 C | 3 611 J23 010

Spare parts list

Item	Part Number	Description	Illustration
1	1 619 P16 303	Housing Section	1
2	1 600 A02 3NK	Stator	1
3	1 619 P17 162	Rotor	1
3/49	1 615 700 044	End Shield	1
4	1 619 P17 826	Electronic Module	1
5	1 609 280 477	Compression Spring	1
6/1	1 600 A02 5P4	Electronics Module	1
6/2	1 600 A02 51J	Cell Cover	1
7	1 619 P16 921	Electronic Module	1
17/18	1 610 210 156	O-Ring 39,0x3,0 MM	1
27	1 619 P16 308	Striker	1
29	1 619 P16 954	Piston Pin	1
32	1 612 026 157	Clamp Handle BLACK	1
32/1	1 610 210 046	O-Ring 10,5x2,7 MM	1
36	1 619 P16 599	Bearing Holder	1
41	1 619 P16 304	Intermediate housing	1
46	1 619 P09 571	Driver Pin	1
49	1 612 026 035	Switch Button RED	1
51	1 619 P16 310	Control Element	1
55	1 610 210 206	Seal Ring 63,0x5,0 MM	1
56	1 616 B00 086	O-Ring	1
57	1 610 210 068	O-Ring 24,0x2,5 MM	1
64/1	1 619 P12 278	Supporting Disc	1
71	1 610 100 016	Guide Disc	1
76	1 613 435 022	Thread-forming tap. Screw	1
77	2 603 490 023	Torx Oval-Head Screw 4x20	1
79	1 613 435 023	Thread-forming tap. Screw	1
80	1 619 P17 247	Torx Oval-Head Screw	1
81	2 603 490 022	Screw 4x16	1
83	1 614 611 006	Compression Spring	1
84	1 619 P16 312	Change-Over Switch	1
88	2 916 660 042	Retaining ring	1
93	1 600 A00 798	Guide Piece	1
100	1 619 P13 744	Lens	1
101	1 619 P16 684	Shim	1

Cordless Hammer Drill | GBH 18V-24 C | 3 611 J23 010

Spare parts list

Item	Part Number	Description	Illustration
105	1 619 P16 314	Compression Spring	1
109	1 603 435 07U	Thread-forming tap. Screw	1
200	1 619 P16 315	Bellows	1
202	1 610 499 054	Protection Sleeve	1
203	1 610 508 034	Protective Cap	1
203/1	1 610 101 018	Support Disc	1
204	1 614 643 003	Compression Spring	1
206	1 903 230 013	Ball DIN 5401-Ø7MM-III-ST	1
207	1 614 601 027	Retaining ring	1
208	1 610 101 629	Retaining Washer	1
209	1 610 102 025	Friction Washer	1
211	2 916 540 012	Retaining ring DIN 7993-A22	1
321	1 619 P13 452	Pipe	1
321/22	1 616 312 004	Cylindrical Gear	1
321/28	1 613 124 081	Striker Pin	1
321/33	1 610 590 014	Holding Jacket	1
321/34	1 619 P12 280	Supporting Disc	1
321/37	1 613 100 019	Straight Pin DIN6325-2,5x12-RIKO	1
321/38	1 610 190 048	Catch Disk	1
321/42	1 619 P13 410	Thrust Ring	1
321/46	2 608 670 714	Guide Bushing	1
321/50	1 614 611 020	Compression Spring	1
321/58	1 610 210 178	O-Ring	1
321/59	1 610 283 035	Rotary shaft lip seal	1
321/60	1 610 210 176	O-Ring 9,0x3,5 MM	1
321/72	1 604 601 027	Retaining ring	1
321/82	1 614 601 034	Retaining ring	1
321/83	1 604 601 028	Retaining ring A22 DIN 7993	1
340	1 619 P16 689	Impact Mechanism Housing	1
340/48	1 611 098 008	Tab Washer	1
340/63	1 610 910 063	Needle bearing Ø30xØ37x12 MM	1
340/67	2 600 910 006	Needle bearing Ø7 MM	1
340/68	1 610 283 017	Rotary shaft lip seal	1
802	1 619 P17 163	Stator	1
808	1 619 P17 687	Label	1

Cordless Hammer Drill | GBH 18V-24 C | 3 611 J23 010

Spare parts list

Item	Part Number	Description	Illustration
817	1 619 P17 351	Bearing Flange	1
820	1 619 P17 352	Intermediate Flange	1
821	1 619 P13 455	Pipe	1
824	1 619 P13 457	Toothed Shaft	1
826	1 619 P17 564	Hammer Piston	1
830	1 619 P17 539	Drive bearing	1
843	1 619 P13 459	Protective Cap	1
864	1 619 P13 461	Supporting Disc	1
120	1 619 P17 171	Auxiliary Handle	2
120/120	1 602 025 09C	Auxiliary Handle	2
120/121	1 617 000 475	Support clamp	2
120/122	1 613 231 010	Push-Button	2
120/123	2 604 610 028	Compression Spring	2
120/124	1 611 316 021	Clamping Band Ø50 MM	2
120/125	1 613 490 002	T-Head Bolt M8x40 MM	2
651	1 613 001 009	Depth-Gauge SW 6x210 MM	2
653	1 607 A35 0CH	Battery Pack GBA18V80 8.0Ah ProCore SCM	2
653	2 609 199 966	Battery Pack BAT622 18V 6,0 AH	2
653/1	2 601 115 537	Sticker	2
654	2 607 225 927	Charger USA BC 1880 CV 13,3-18V/120V	2
691	1 619 P17 425	Latch	2
892	1 615 430 001	Grease Tube 225 ML	2
893	1 615 430 002	Grease Tube 225 ML	2
894	1 615 430 020	Grease Tube 225 ML	2
895	1 615 430 019	Oil Reservoir 1000 ML	2

Illustration - Type - E

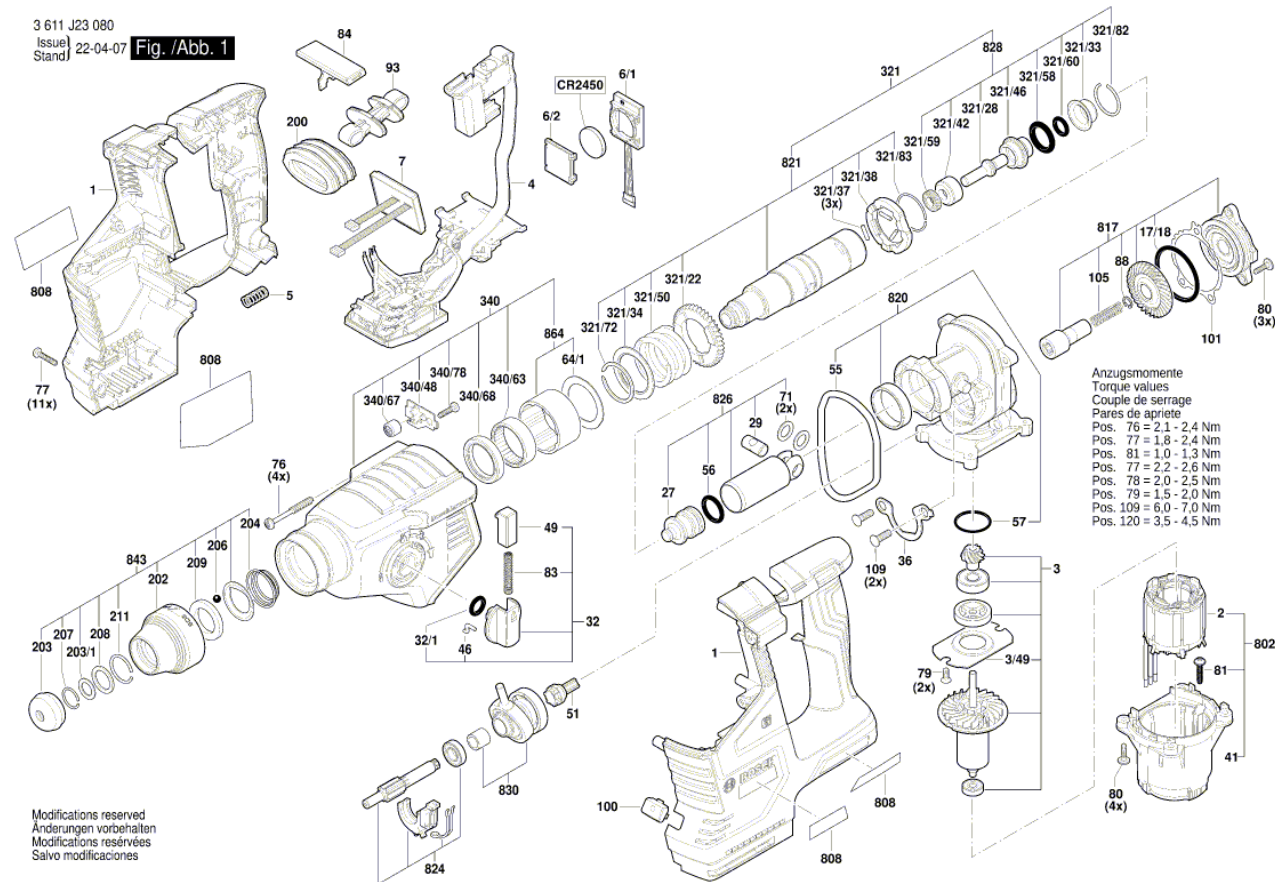


Illustration - Type - E

3 611 J23 080
 Issue/Stand | 22-02-18 | Fig./Abb. 2

